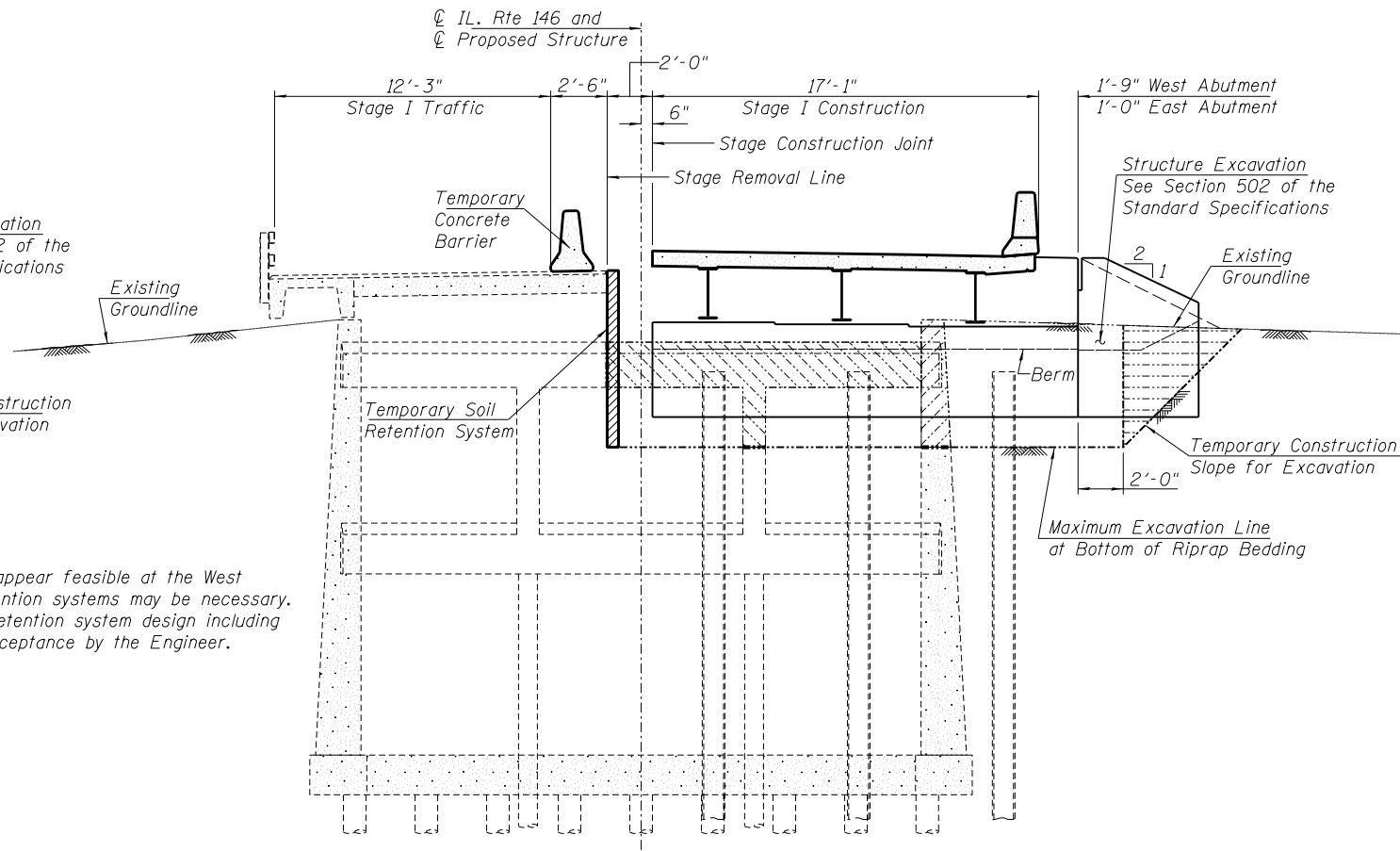


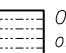


SECTION C-C



SECTION D-D

LEGEND

-  Existing Concrete to be removed during Stage I Construction.
-  Indicates exposed area of Temporary Soil Retention System.
-  Over excavation beyond the limits of Structure Excavation. This area not measured for payment.

A cantilevered sheet piling design does not appear feasible at the West Abutment and additional members or other retention systems may be necessary. The Contractor shall submit a temporary soil retention system design including plan details and calculations for review and acceptance by the Engineer.

c:\working\dms24893\0978279-stt-bridge.dgn

PROFESSIONAL DESIGN FIRM LICENSE #184-001084
 © Copyright Hanson Professional Services Inc. 2014
HANSON
 Hanson Professional Services Inc.

USER NAME = dwd01573	DESIGNED - MNM	REVISED -
	CHECKED - Rod	REVISED -
PLOT SCALE =	DRAWN - Rod	REVISED -
PLOT DATE = 03/01/2014 10:50:25 AM	CHECKED - MNM	REVISED -

**STATE OF ILLINOIS
 DEPARTMENT OF TRANSPORTATION**

**STAGE CONSTRUCTION DETAILS (Sheet 2 of 2)
 STRUCTURE NO. 044-0061**

SHEET NO. 05 OF 29 SHEETS

F.A.P. RTE.	SECTION	COUNTY	TOTAL SHEETS	SHEET NO.
885	110B-1	JOHNSON	52	28
CONTRACT NO. 78279			ILLINOIS FED. AID PROJECT	