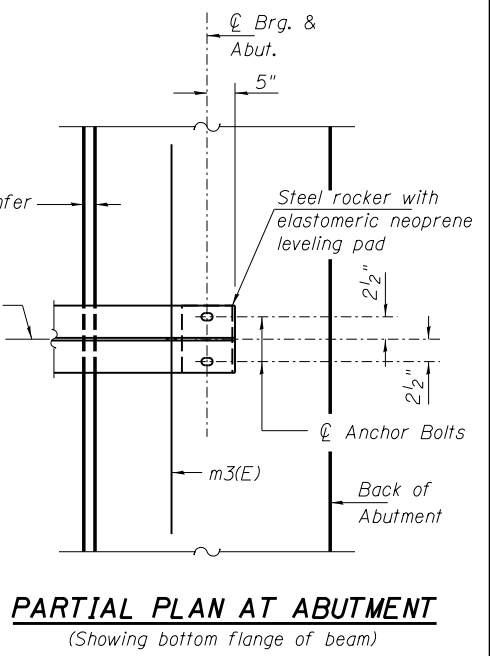
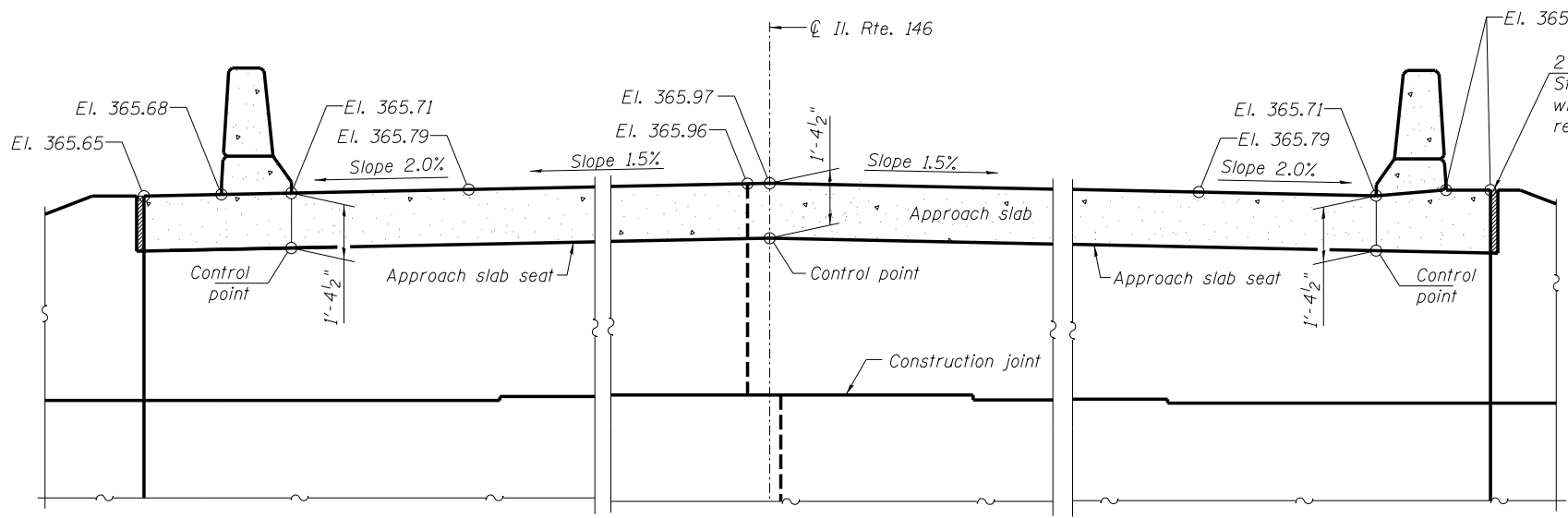


DIAPHRAGM ELEVATION AT WEST ABUTMENT
(Looking West)

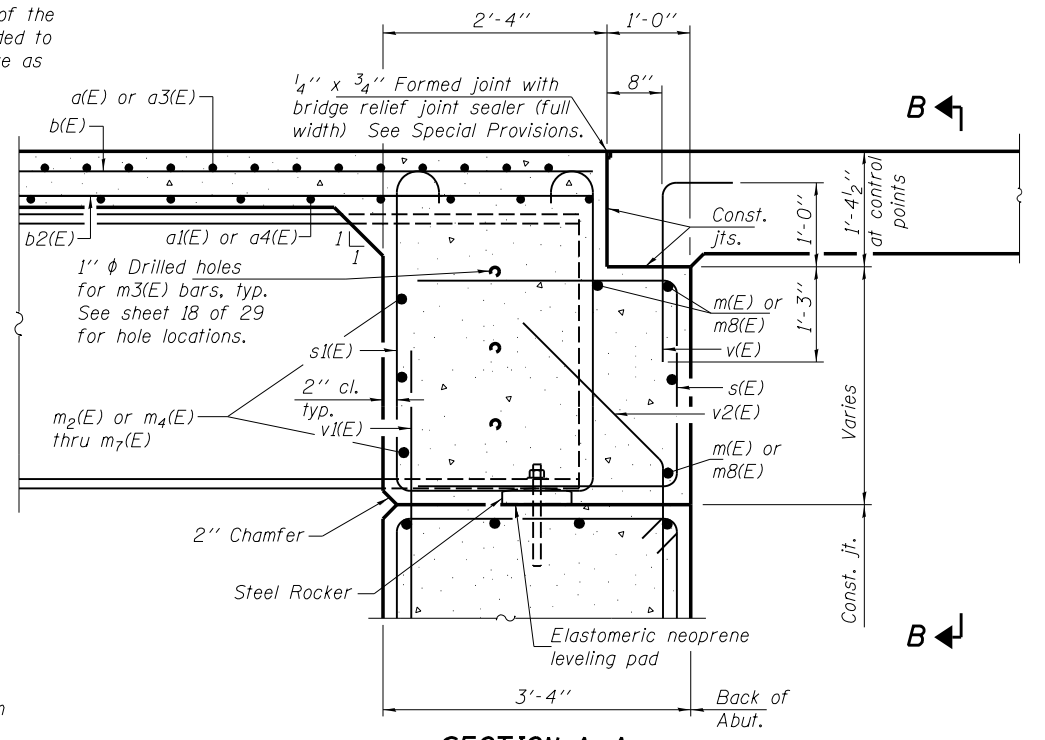


PARTIAL PLAN AT ABUTMENT
(Showing bottom flange of beam)

MIN. BAR LAP
#6 bar = 3'-0"



SECTION B-B
(Looking at Back of Abutment)



SECTION A-A

Notes:
 Reinforcement bars in diaphragm are billed with superstructure on sheet 13 of 29.
 Concrete in diaphragm is included with Concrete Superstructure on sheet 13 of 29.
 For details of bars s(E), s₁(E) and v(E) see sheet 13 of 29.
 The approach slab seat shall have a constant slope determined from the control points shown.
 For bearing details see sheet 20 of 29.
 For bearing seat elevations see West Abutment Details sheet 21 of 29.

c:\working\dms24893\0978279-st-bridge.dgn

PROFESSIONAL DESIGN FIRM LICENSE #184-001084 © Copyright Hanson Professional Services Inc. 2014	USER NAME = dwd01573	DESIGNED - JGT	REVISED -
HANSON Hanson Professional Services Inc.	PLOT SCALE =	CHECKED - TEH	REVISED -
	PLOT DATE = 03/01/2014 10:50:29 AM	DRAWN - Rod	REVISED -
		CHECKED - JGT	REVISED -

STATE OF ILLINOIS
DEPARTMENT OF TRANSPORTATION

WEST INTEGRAL ABUTMENT DIAPHRAGM DETAILS
STRUCTURE NO. 044-0061

SHEET NO. 14 OF 29 SHEETS

F.A.P. RTE.	SECTION	COUNTY	TOTAL SHEETS	SHEET NO.
885	110B-1	JOHNSON	52	37
ILLINOIS FED. AID PROJECT			CONTRACT NO. 78279	