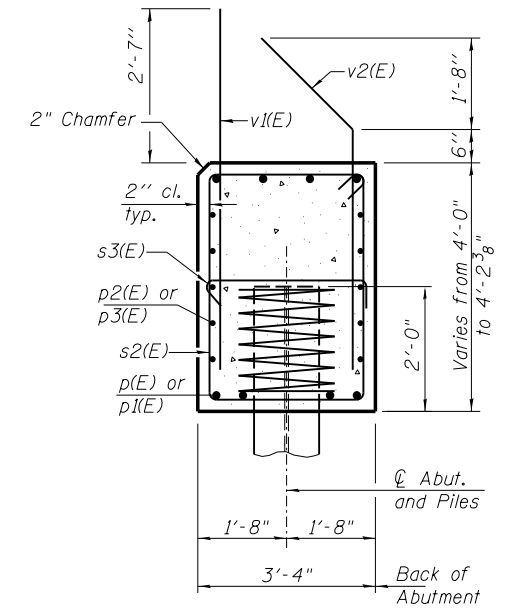
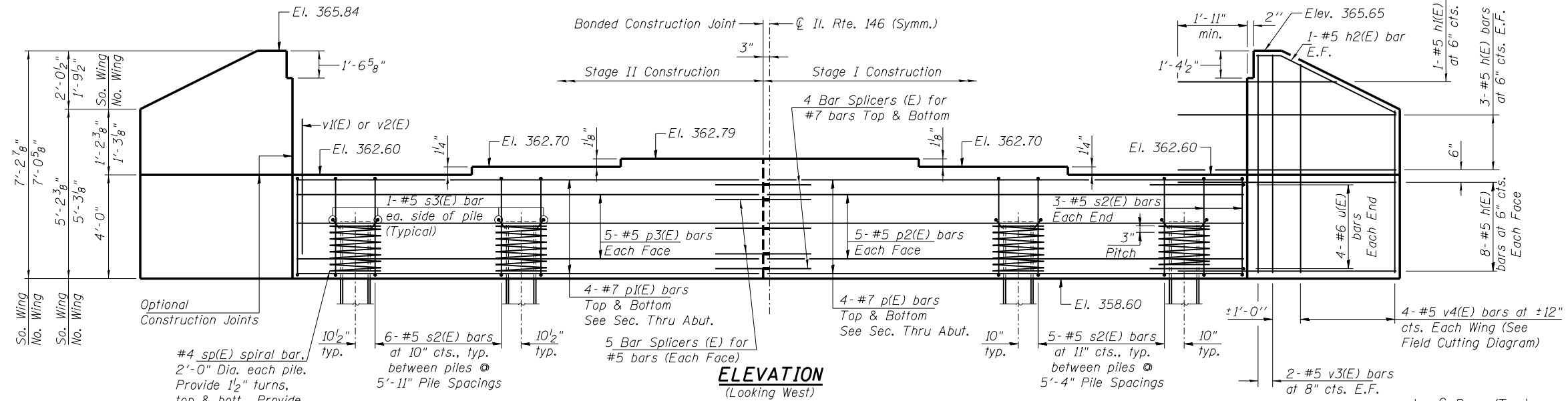


Notes:
Pour steps monolithically with cap.



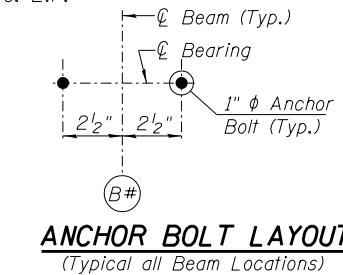
#4 sp(E) spiral bar, 2'-0" Dia. each pile. Provide 1/2" turns, top & bot.. Provide 3-#4 spacers or equivalent.

ELEVATION
(Looking West)

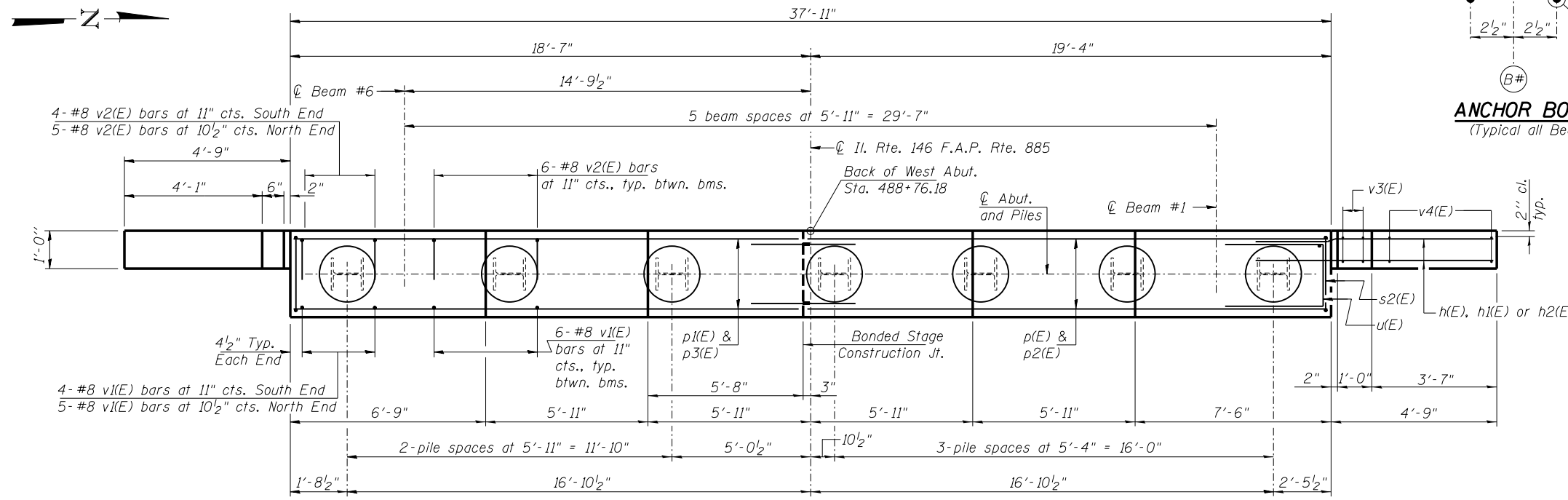
SEC. THRU ABUT.

BILL OF MATERIAL

Bar No.	Size	Length	Shape
h(E)	#5	6'-6"	—
h2(E)	#5	5'-4"	—
h2(E)	#5	4'-11"	—
p(E)	#7	19'-3"	—
p1(E)	#7	18'-0"	—
p2(E)	#5	19'-3"	—
p3(E)	#5	18'-0"	—
s2(E)	#5	14'-3"	□
s3(E)	#5	4'-0"	⌒
sp(E)	#4	2'-0"	⋈
u(E)	#6	10'-7"	—
v1(E)	#8	5'-11"	—
v2(E)	#8	6'-2"	—
v3(E)	#5	6'-9"	—
v4(E)	#5	11'-4"	—
Structure Excavation	Cu. Yd.	93	
Concrete Structures	Cu. Yd.	21.4	
Reinforcement Bars, Epoxy Coated	Pound	3850	
Furnishing Steel Piles, HP 14x89	Foot	133	
Setting Piles in Rock	Each	7	



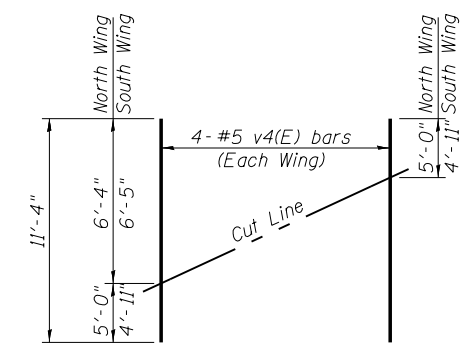
ANCHOR BOLT LAYOUT
(Typical all Beam Locations)



PLAN

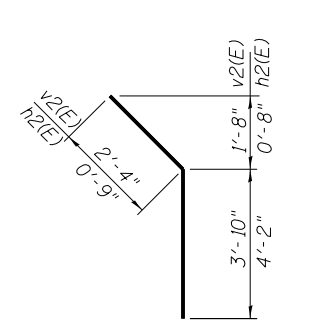
PILE DATA

Type: HP 14x89
Nominal Required Bearing: 705 kips
Factored Resistance Available: 388 kips
Factored Resistance Available During an Extreme Event I: 705 kips
Est. Length: 19 Feet
No. Production Piles: 7
No. Test Piles: 0
Est. Top of Rock Elevation: 346.0
Rock Socket Depth: 4 Feet
Rock Socket Diameter: 2 Feet

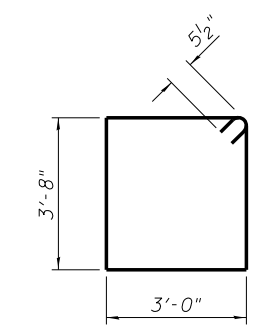


FIELD CUTTING DIAGRAM

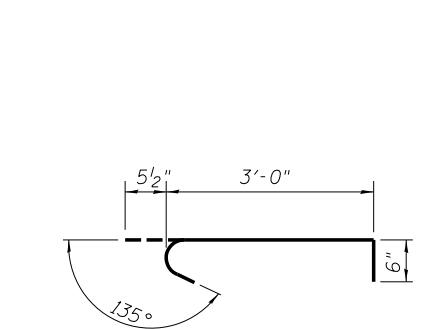
Order v4(E) full length. Cut as shown and use remainder of bars in opposite face.



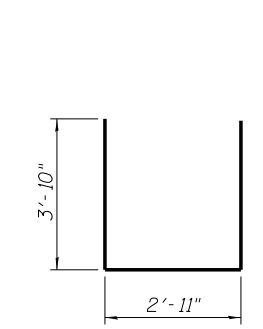
BAR v2(E) & h2(E)



BAR s2(E)



BAR s3(E)



BAR u(E)

For details of piles see sheet 25 of 29.

Bonded Stage Construction Joint locations on abutments varies from locations shown on Piers, Superstructure and Approach Slabs.

* Length is height of spiral.

c:\working\dms24893\0978279-st-bridge.dgn

PROFESSIONAL DESIGN FIRM LICENSE #184-001084
© Copyright Hanson Professional Services Inc. 2014

HANSON
Hanson Professional Services Inc.

USER NAME = dwd01573
DESIGNED - JGT
CHECKED - TEH
PLOT SCALE =
DRAWN - Rod
PLOT DATE = 03/01/2014 10:50:34 AM
CHECKED - JGT

DESIGNED - JGT
CHECKED - TEH
DRAWN - Rod
CHECKED - JGT

REVISED -
REVISED -
REVISED -
REVISED -

STATE OF ILLINOIS
DEPARTMENT OF TRANSPORTATION

WEST ABUTMENT
STRUCTURE NO. 044-0061

SHEET NO. 21 OF 29 SHEETS

F.A.P. RTE.	SECTION	COUNTY	TOTAL SHEETS	SHEET NO.
885	110B-1	JOHNSON	52	44
CONTRACT NO. 78279			ILLINOIS FED. AID PROJECT	