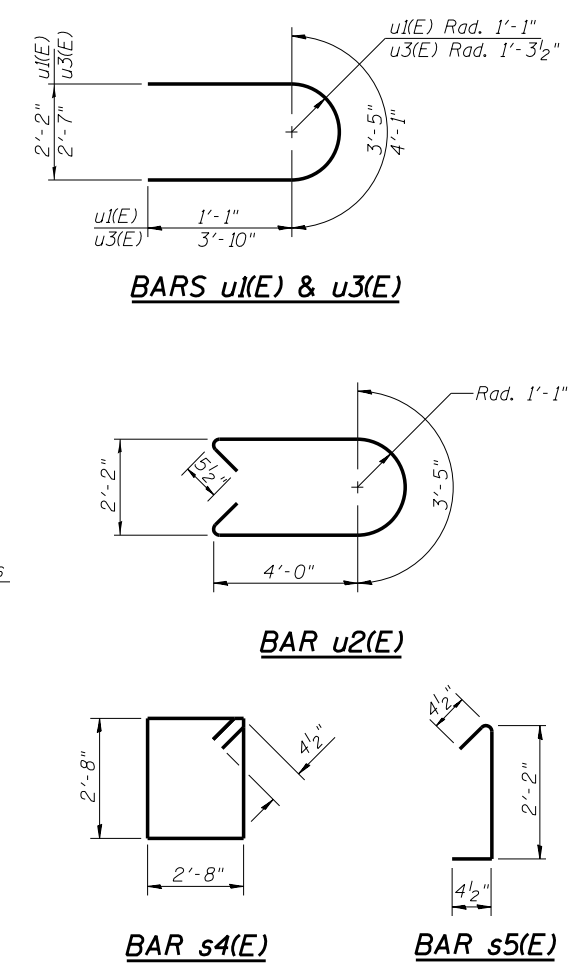
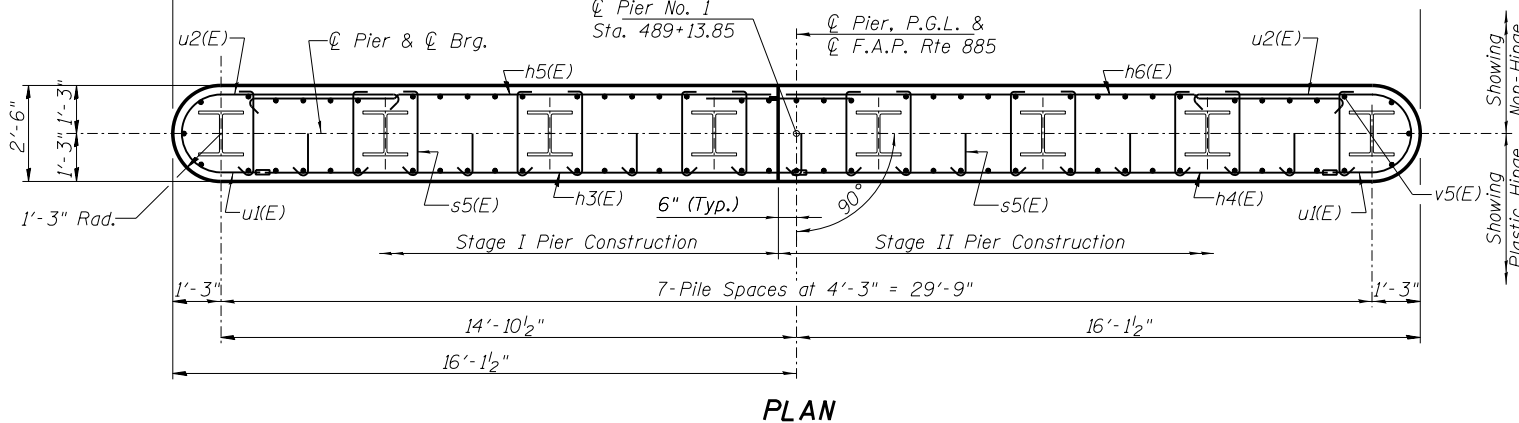
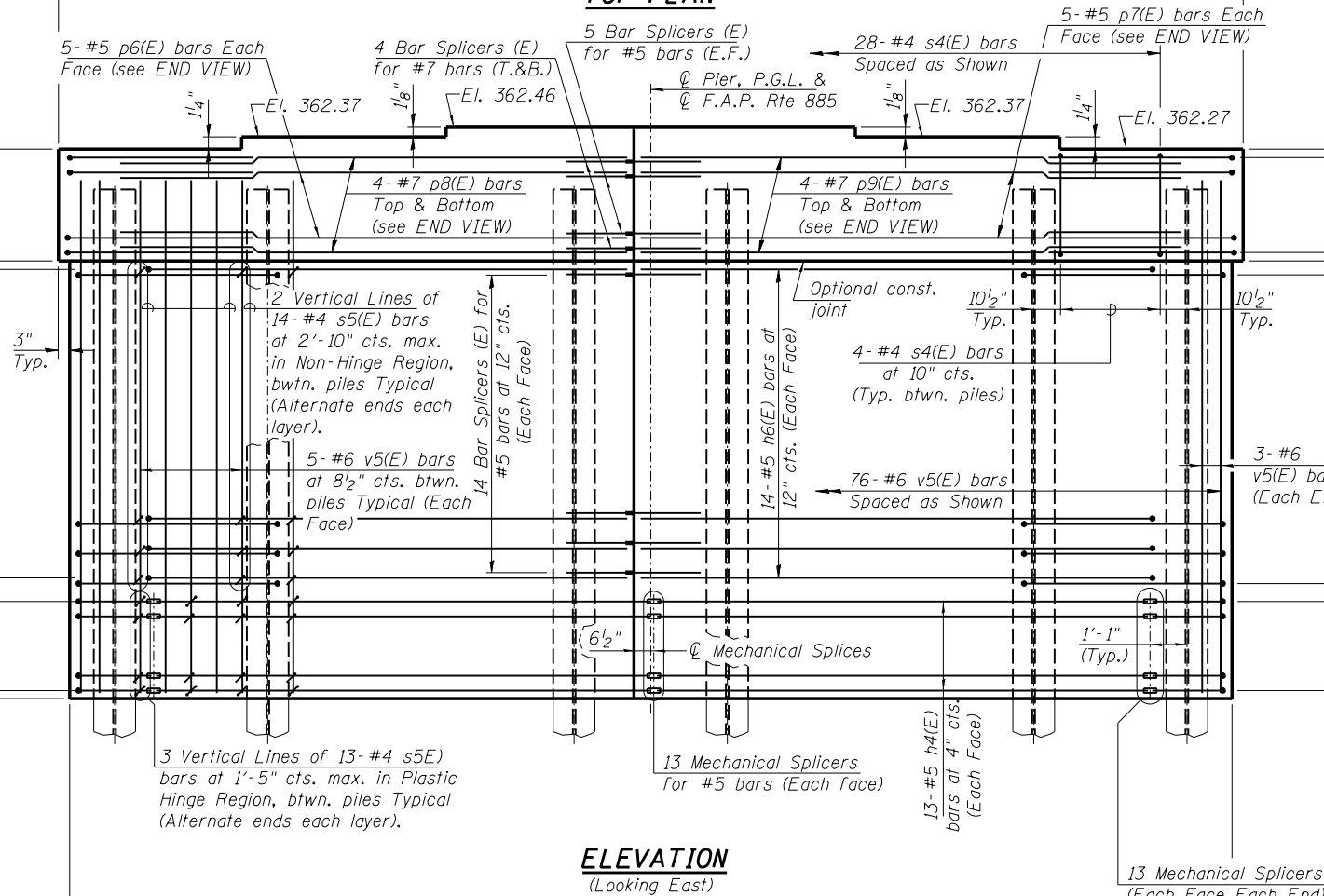
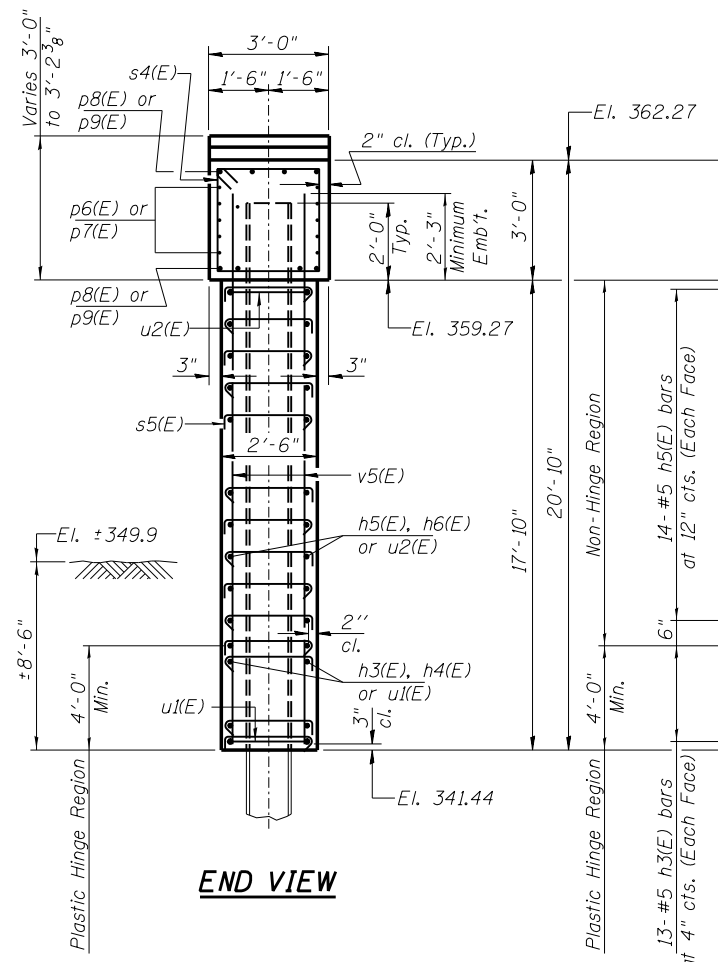
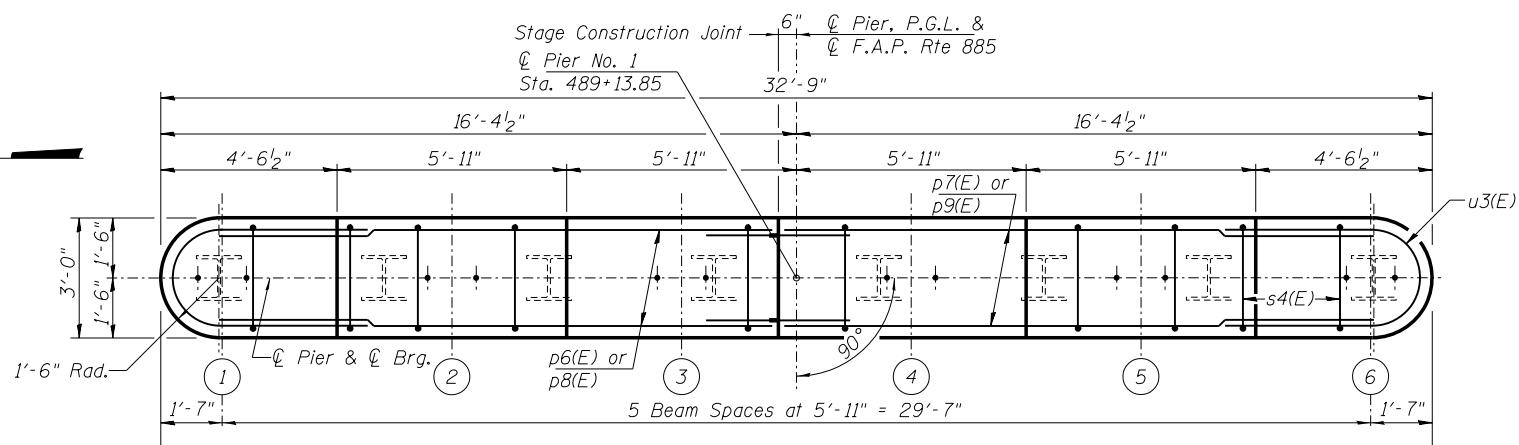
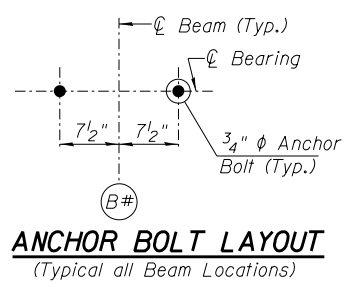


Notes:  
 Space reinforcement in cap to miss anchor bolts.  
 Pour steps monolithically with cap.  
 For details of piles, See Sheet 25 of 29.  
 For Stage Construction Details, See Sheets 4 & 5 of 29.



**BILL OF MATERIAL (Pier 1)**

Bar	No.	Size	Length	Shape
h3(E)	26	#5	13'-10"	—
h4(E)	26	#5	13'-9"	—
h5(E)	28	#5	14'-0"	—
h6(E)	28	#5	15'-0"	—
p6(E)	10	#5	14'-3"	—
p7(E)	10	#5	15'-3"	—
p8(E)	8	#7	14'-3"	—
p9(E)	8	#7	15'-3"	—
s4(E)	28	#4	11'-5"	□
s5(E)	469	#4	2'-11"	┌┐
u1(E)	26	#5	5'-7"	U
u2(E)	28	#5	12'-4"	U
u3(E)	14	#6	11'-9"	U
v5(E)	76	#6	19'-11"	—
Cofferdam Excavation		Cu. Yd.	132	
Concrete Structures		Cu. Yd.	63.5	
Reinforcement Bars, Epoxy Coated		Pound	6540	
Furnishing Steel Piles, HP 14x89		Foot	256	
Setting Piles in Rock		Each	8	

**PILE DATA**

Type:	HP 14x89
Nominal Required Bearing:	705 kips
Factored Resistance Available:	388 kips
Factored Resistance Available During an Extreme Event I:	705 kips
Est. Length:	32 Feet
No. Production Piles:	8
No. Test Piles:	0
Est. Top of Rock Elevation:	340.8
Rock Socket Depth:	10 Feet
Rock Socket Diameter:	2 Feet

c:\working\dms24893\0978279-shr-brIDGE.dgn

PROFESSIONAL DESIGN FIRM LICENSE #184-001084 © Copyright Hanson Professional Services Inc. 2014	USER NAME = dwd01573	DESIGNED - JGT	REVISED -
	PLOT SCALE =	CHECKED - TEH	REVISED -
		DRAWN - Rod	REVISED -
		CHECKED - JGT	REVISED -
PLOT DATE = 03/01/2014 10:50:35 AM			

STATE OF ILLINOIS  
 DEPARTMENT OF TRANSPORTATION

PIER NUMBER 1  
 STRUCTURE NO. 044-0061

SHEET NO. 23 OF 29 SHEETS

F.A.P. RTE.	SECTION	COUNTY	TOTAL SHEETS	SHEET NO.
885	110B-1	JOHNSON	52	46
CONTRACT NO. 78279				
ILLINOIS FED. AID PROJECT				