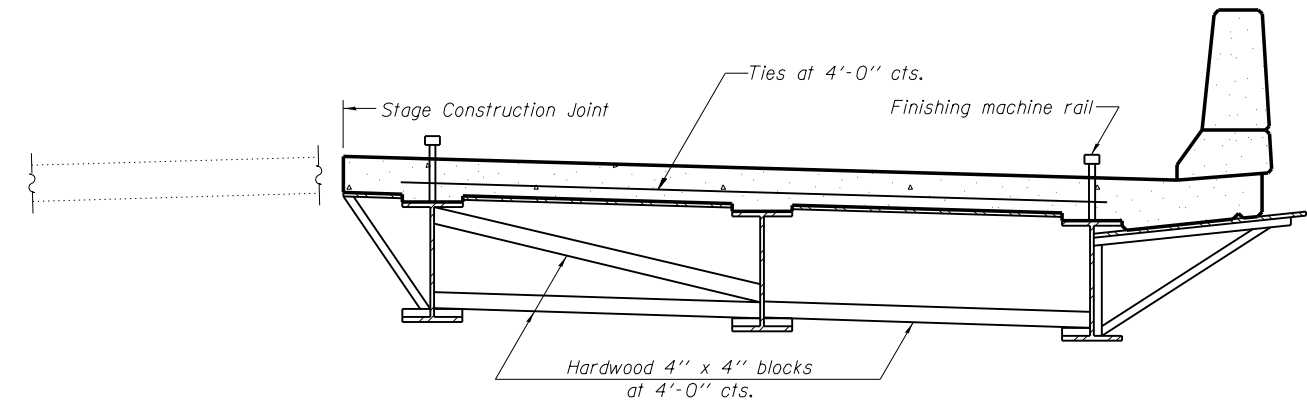


When cantilever forming brackets are used, the work shall be done according to Article 503.06(b) of the Standard Specifications, except as modified below and in the details shown on this sheet.

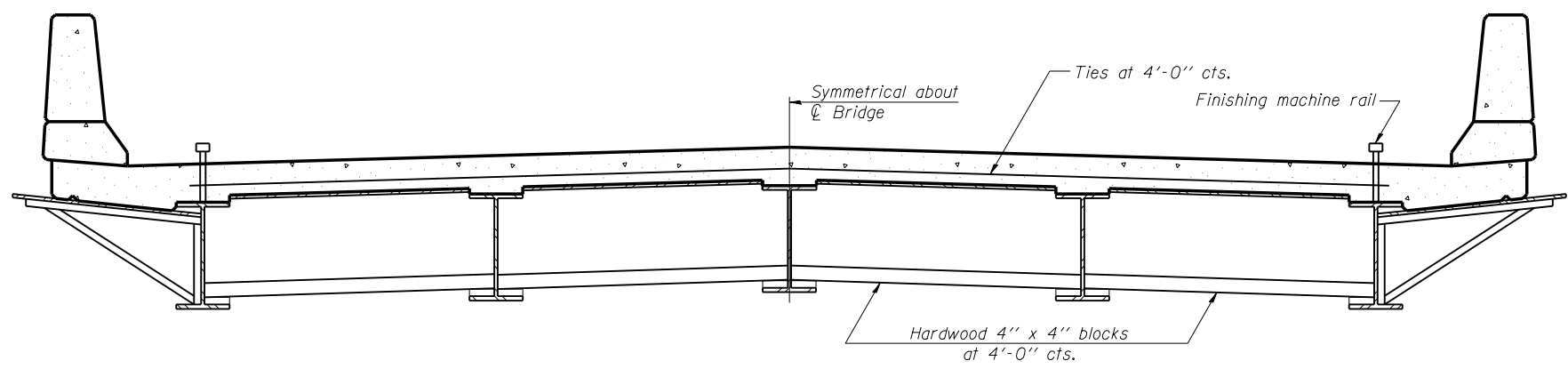
The finishing machine rails shall be placed on the top flange of the exterior beams.

The beams or girders, supporting cantilever forming brackets, shall be tied together at 4 foot intervals.

For Standard construction, or Stage Construction the Hardwood bracing materials shall be placed as shown between webs of beams in each bay.



**FORM BRACES FOR
STAGE CONSTRUCTION**



**FORM BRACES FOR
STANDARD CONSTRUCTION**

USER NAME = dwd01573	DESIGNED - JGT	REVISED -
	CHECKED - TEH	REVISED -
PLOT SCALE =	DRAWN - DAP	REVISED -
PLOT DATE = 03/01/2014 10:50:37 AM	CHECKED - JGT	REVISED -

F.A.P. RTE.	SECTION	COUNTY	TOTAL SHEETS	SHEET NO.
885	110B-1	JOHNSON	52	50
CONTRACT NO. 78279			ILLINOIS FED. AID PROJECT	