

WEST ABUTMENT

EAST ABUTMENT

S.N. 041-0071
ABUTMENT BACKWALL REPAIR

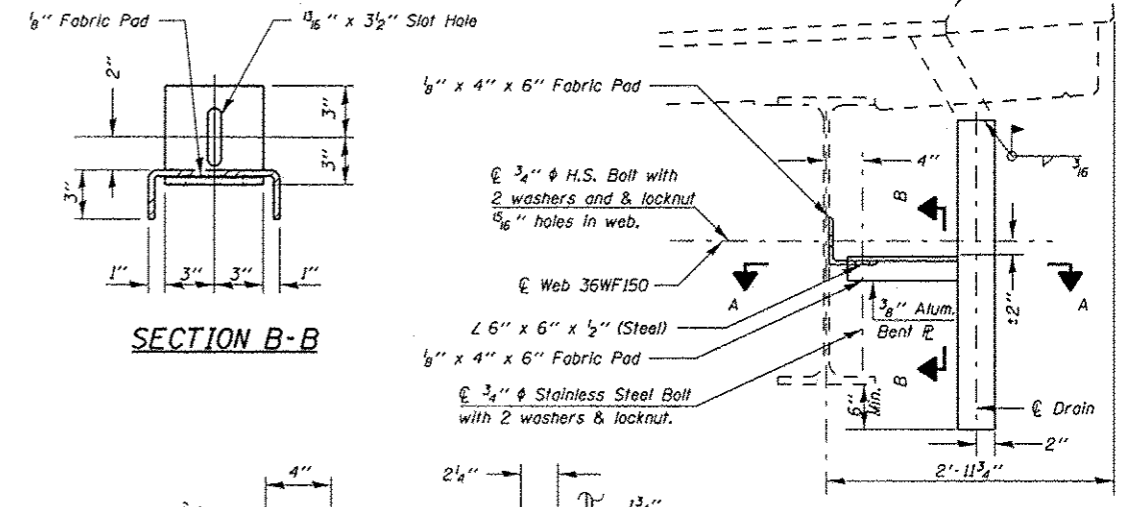


WEST ABUTMENT

EAST ABUTMENT

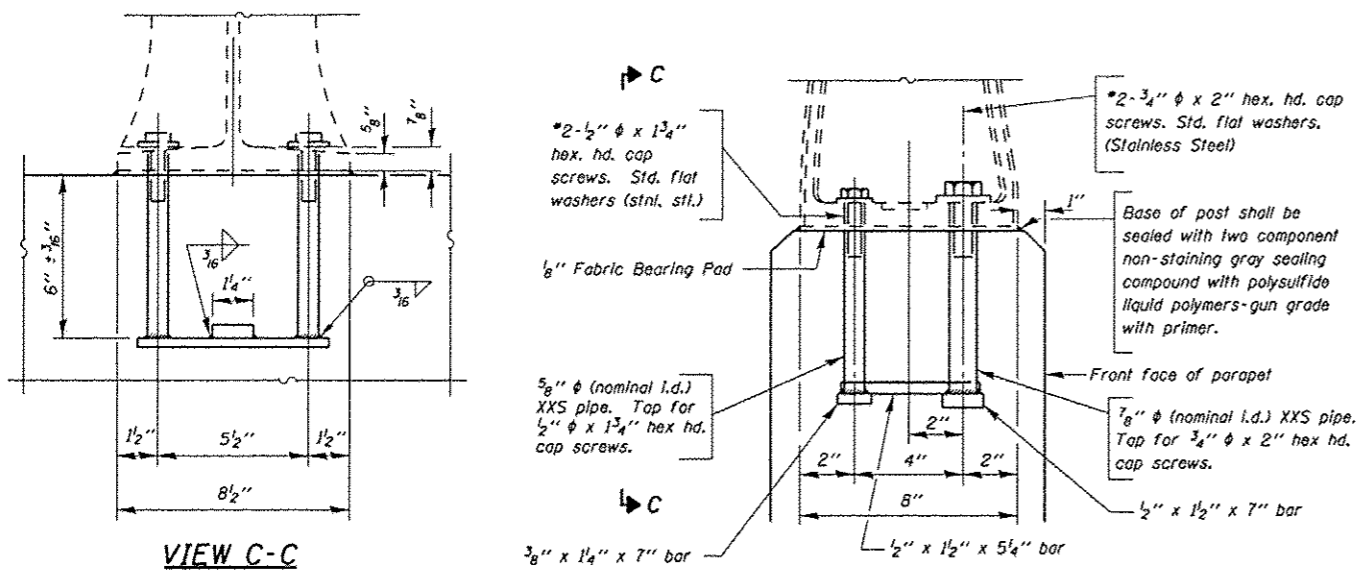
S.N. 041-0070
ABUTMENT BACKWALL REPAIR

Notes:
Existing floor drains are 4" X 12" aluminum drains, Removal of old drain extensions is included in the cost of Floor Drain Extension.



SECTION B-B

SECTION AT DRAIN



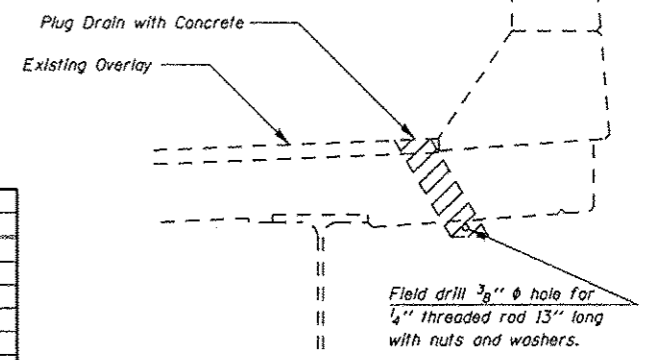
VIEW C-C

RAIL POST DETAILS

Notes:
Post shall be normal to parapet.
In lieu of the cast-in-place anchor device shown, the Contractor has the option of drilling and setting stainless steel anchor rods of the same diameter and grade as the specified cap screws according to Article 509.06 of the Standard Specifications. Embedment shall be according to the manufacturer's specifications.

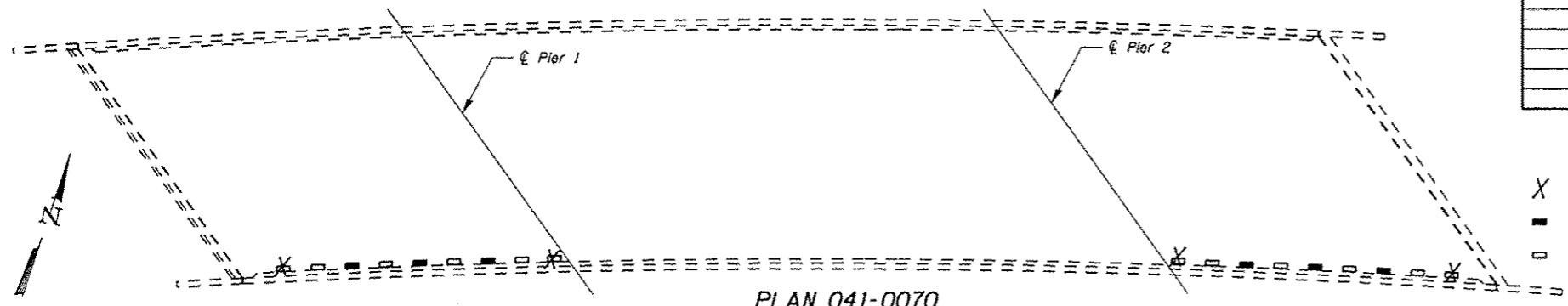
STRUCTURAL REPAIR OF CONCRETE		
LOCATION	DIMENSIONS	AREA
1	1.5' x 9'	13.5 Sq Ft
2	1.5' x 3'	4.5 Sq Ft
3	1.5' x 7'	10.5 Sq Ft
4	2' x 16'	32 Sq Ft
5	3' x 1'	3 Sq Ft
6	5' x 3'	15 Sq Ft
TOTAL		79 Sq Ft

8 Each Structure



DRAIN ELIMINATION DETAILS

6 Each Structure



PLAN 041-0070

041-0071 Similar

- X Existing Concrete Plug To Remain In Place
- Drains to be Eliminated
- Drains to be Extended

ITEM	UNIT	QUANTITY
Floor Drain Extension	Each	16
Plug Existing Deck Drains	Each	12
Structural Repair of Concrete (Depth Equal to or Less Than 5 Inches)	Sq Ft	79