

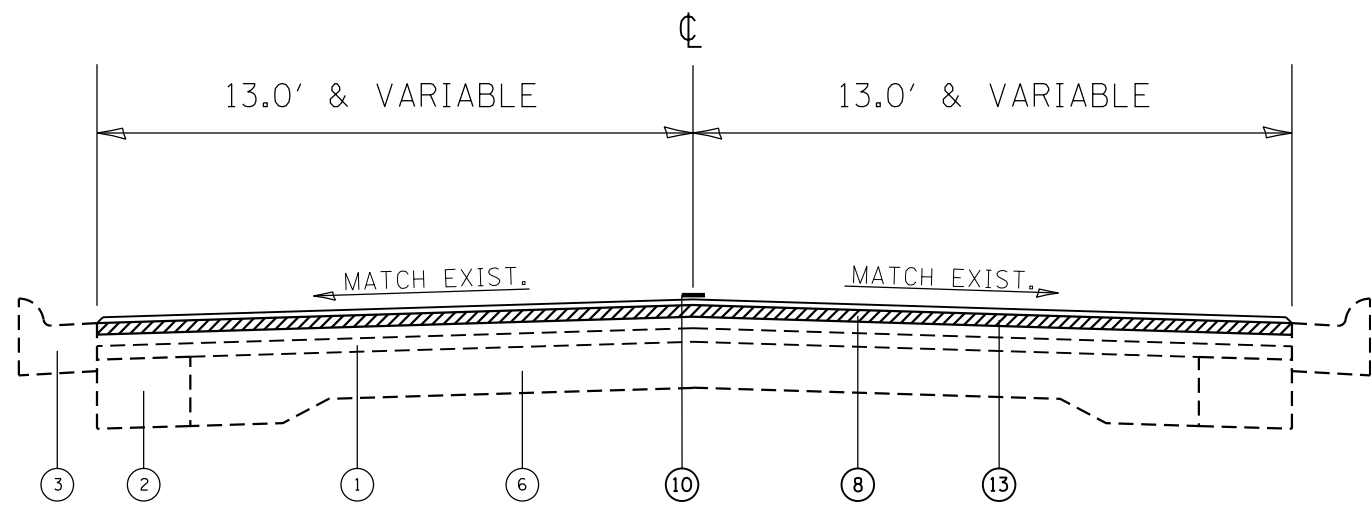
TO BE USED:

- STA. 101+40 TO STA. 112+30 (14.30 TO 14.09)*
- STA. 400+85 TO STA. 411+95.83 BK (8.63 TO 8.42)*
- STA. 412+05.55 AH TO STA. 419+29 (8.42 TO 8.29)*
- STA. 419+51 TO STA. 438+00 (8.28 TO 7.93)*
- STA. 825+25 TO STA. 845+88 (0.60 TO 0.21)*

* APPROXIMATE ARCGIS MILEPOSTS

- ① EXISTING PAVEMENT AND RESURFACING
- ② EXISTING WIDENING
- ③ EXISTING CONCRETE CURB AND GUTTER
- ④ EXISTING BITUMINOUS SHOULDER
- ⑤ EXISTING AGGREGATE SHOULDER
- ⑥ EXISTING PCC PAVEMENT
- ⑦ EXISTING FULL DEPTH BITUMINOUS PAVEMENT

- ⑧ PROPOSED HMA SURFACE COURSE, 1 1/2"
- ⑨ PROPOSED HMA SURFACE REMOVAL, 2 1/4"
- ⑩ PROPOSED PAVEMENT MARKING
- ⑪ PROPOSED AGGREGATE SHOULDERS
- ⑫ PROPOSED BITUMINOUS SHOULDERS
- ⑬ PROPOSED HMA SURFACE REMOVAL, 1"
- ⑭ PROPOSED HMA BINDER COURSE, 3/4"



TO BE USED:

- STA. 291+53.33 TO STA. 291+78.66 (10.70 TO 10.70)*
- STA. 419+29 TO STA. 419+51 (8.29 TO 8.28)*

FILE NAME = 78379-sht-plan.dgn FILE = F:\IDOT\Documents\IDOT Offices\District 9\Projects\78379\CADD\Sheet\CADsheets\78379-sht-plan.dgn	USER NAME = weemsbf	DESIGNED -	REVISED -	STATE OF ILLINOIS DEPARTMENT OF TRANSPORTATION	TYPICAL SECTION		F.A.P. RTE.	SECTION	COUNTY	TOTAL SHEETS	SHEET NO.
	PLOT SCALE = 100.0000' / in.	CHECKED -	REVISED -		332	(97-2,5,5-2,5Y,4Y,4RS-2)	WHITE	39	9		
PLOT DATE = 3/24/2014	DATE -	REVISED -	REVISED -	SCALE:	SHEET NO. 2 OF 6 SHEETS	STA. TO STA.	ILLINOIS FED. AID PROJECT CONTRACT NO. 78379				