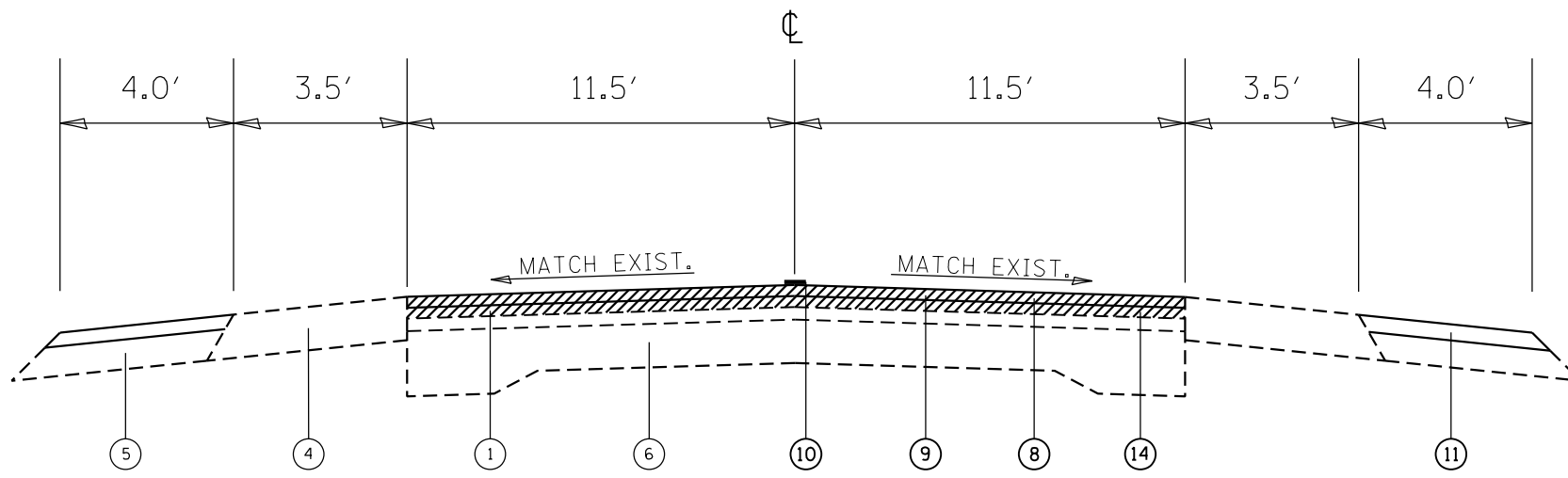


5



TO BE USED:

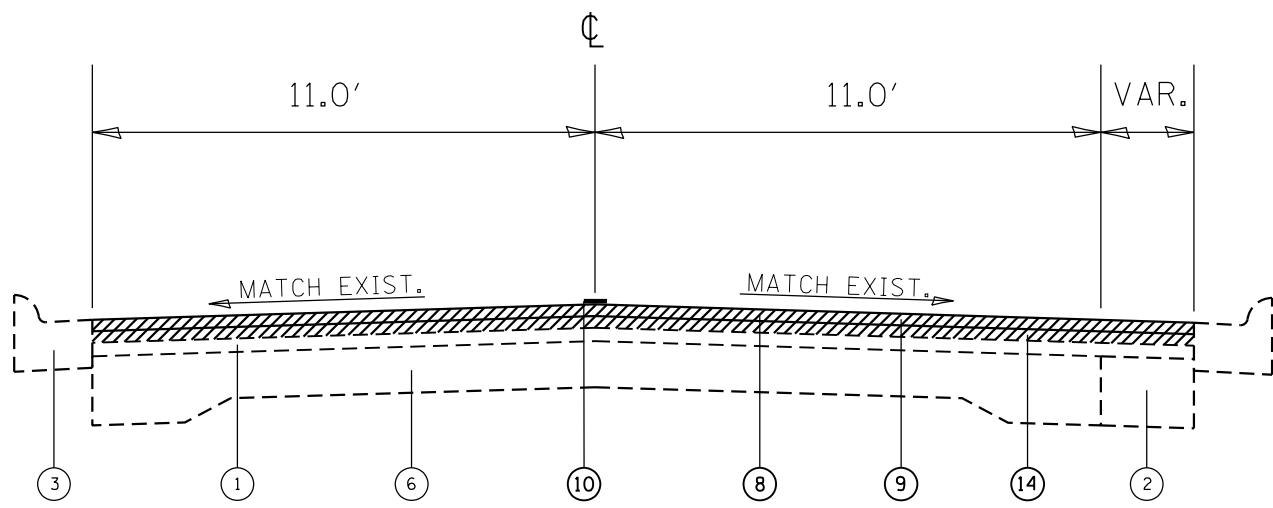
STA. 112+30 TO STA. 174+36** (14.10 TO 12.92)*
 **STA. 179+40 TO STA. 186+04.91 BK (12.83 TO 12.70)*
 STA. 186+07.80 AH TO STA. 291+53.33 (12.70 TO 10.70)*
 STA. 291+78.66 TO STA. 334+49.13** (10.70 TO 9.89)*
 **STA. 338+02.88 TO STA. 400+85 (9.82 TO 8.63)*

* APPROXIMATE ARCGIS MILEPOSTS
 ** OMISSIONS
 STA 174+36.00 TO STA 179+40.00
 STA 334+49.13 TO STA 338+02.88

- ① EXISTING PAVEMENT AND RESURFACING
- ② EXISTING WIDENING
- ③ EXISTING CONCRETE CURB AND GUTTER
- ④ EXISTING BITUMINOUS SHOULDER
- ⑤ EXISTING AGGREGATE SHOULDER
- ⑥ EXISTING PCC PAVEMENT
- ⑦ EXISTING FULL DEPTH BITUMINOUS PAVEMENT

- ⑧ PROPOSED HMA SURFACE COURSE, 1 1/2"
- ⑨ PROPOSED HMA SURFACE REMOVAL, 2 1/4"
- ⑩ PROPOSED PAVEMENT MARKING
- ⑪ PROPOSED AGGREGATE SHOULDERS
- ⑫ PROPOSED BITUMINOUS SHOULDERS
- ⑬ PROPOSED HMA SURFACE REMOVAL, 1"
- ⑭ PROPOSED HMA BINDER COURSE, 3/4"

6



TO BE USED:

STA. 438+00 TO STA. 445+50 (7.93 TO 7.79)*

SHEET 3 OF 6

FILE NAME : 78379-sh1-plan.dgn FILE : P:\IDOT\Documents\IDOT Offices\ District 9\Projects\78379\CADData\ CADsheets\78379-sh1-plan.dgn	USER NAME : weemsbf	DESIGNED -	REVISED -	STATE OF ILLINOIS DEPARTMENT OF TRANSPORTATION	TYPICAL SECTION		F.A.P. RTE.	SECTION	COUNTY	TOTAL SHEETS	SHEET NO.
	PLOT SCALE = 100.0000' / in.	CHECKED -	REVISED -		332	97-2,5,5-2,5Y,4Y,4RS-2	WHITE	39	10		
PLOT DATE = 3/24/2014	DATE -	REVISED -	REVISED -	SCALE:	SHEET NO. 3 OF 6 SHEETS	STA. TO STA.	ILLINOIS FED. AID PROJECT CONTRACT NO. 78379				