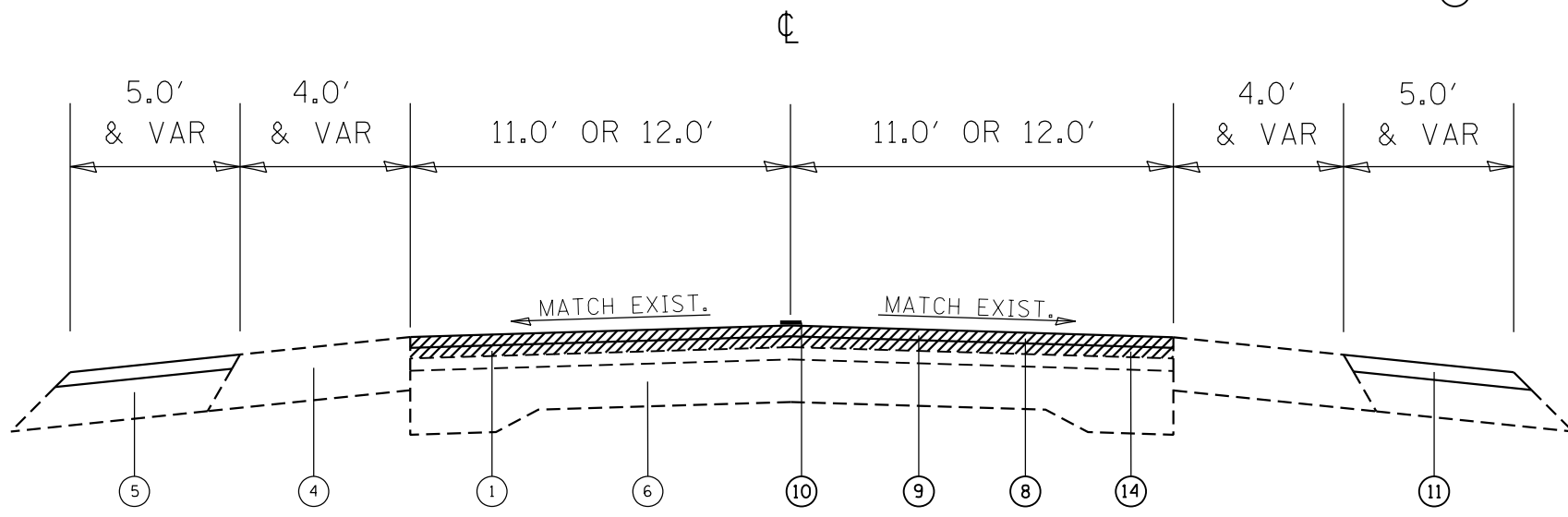


TO BE USED:
 STA. 445+50 TO STA. 466+00 (7.79 TO 7.40) *

- ① EXISTING PAVEMENT AND RESURFACING
- ② EXISTING WIDENING
- ③ EXISTING CONCRETE CURB AND GUTTER
- ④ EXISTING BITUMINOUS SHOULDER
- ⑤ EXISTING AGGREGATE SHOULDER
- ⑥ EXISTING PCC PAVEMENT
- ⑦ EXISTING FULL DEPTH BITUMINOUS PAVEMENT

- ⑧ PROPOSED HMA SURFACE COURSE, 1 1/2"
- ⑨ PROPOSED HMA SURFACE REMOVAL, 2 1/4"
- ⑩ PROPOSED PAVEMENT MARKING
- ⑪ PROPOSED AGGREGATE SHOULDERS
- ⑫ PROPOSED BITUMINOUS SHOULDERS
- ⑬ PROPOSED HMA SURFACE REMOVAL, 1"
- ⑭ PROPOSED HMA BINDER COURSE, 3/4"

* APPROXIMATE ARCGIS MILEPOSTS



TO BE USED:
 STA. 466+00 TO STA. 702+70.38 BK (7.40 TO 2.92) *
 STA. 702+71.02 AH TO STA. 722+80 (2.92 TO 2.54) *
 STA. 778+30.97 AH TO STA. 793+00 (1.49 TO 1.21) *
 STA. 814+50 TO STA. 825+25 (0.81 TO 0.60) *

FILE NAME = 78379-sht-plan.dgn FILE = F:\IDOT\Documents\IDOT Offices\District 9\Projects\78379\CADData\CADsheets\78379-sht-plan.dgn	USER NAME = weemsbf	DESIGNED -	REVISED -	STATE OF ILLINOIS DEPARTMENT OF TRANSPORTATION	TYPICAL SECTION		F.A.P. RTE.	SECTION	COUNTY	TOTAL SHEETS	SHEET NO.
	PLOT SCALE = 100.0000' / in.	CHECKED -	REVISED -		SCALE:	SHEET NO. 4 OF 6 SHEETS	STA. TO STA.	332	(97-2,5,5-2,5Y,4Y,4RS-2)	WHITE	39
PLOT DATE = 3/24/2014	DATE -	REVISED -	REVISED -			ILLINOIS FED. AID PROJECT		CONTRACT NO. 78379			