

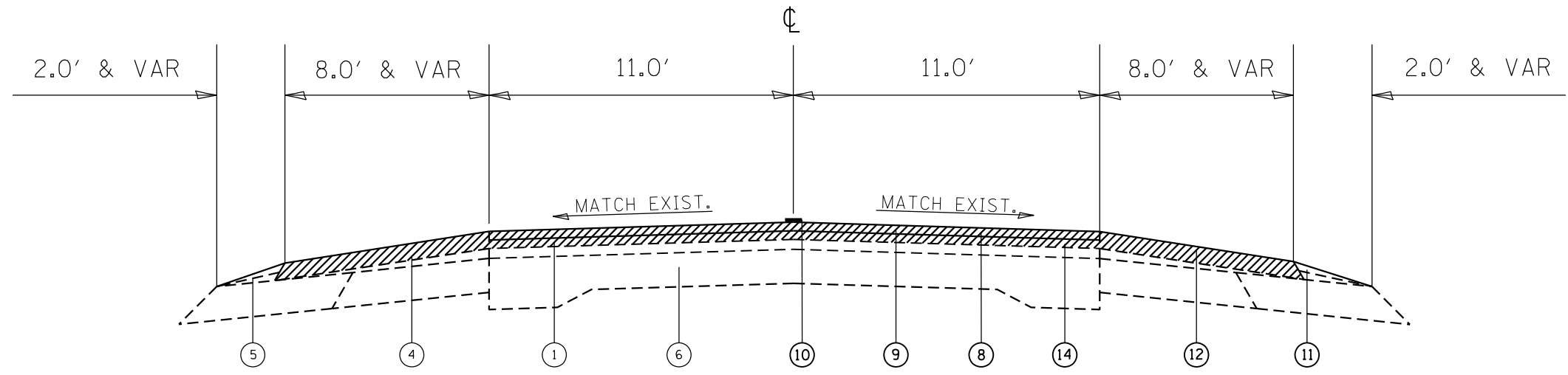
TO BE USED:

STA. 722+80 TO STA. 724+11.47 ** (2.54 TO 2.51) *
 **STA. 724+14.62 TO STA. 724+86.33 ** (2.51 TO 2.50) *
 **STA. 724+89.47 TO STA. 734+09.50 BK (2.50 TO 2.32) *
 STA. 110+70.32 AH TO STA. 103+95 ** (2.32 TO 2.20) *

- ① EXISTING PAVEMENT AND RESURFACING
- ② EXISTING WIDENING
- ③ EXISTING CONCRETE CURB AND GUTTER
- ④ EXISTING BITUMINOUS SHOULDER
- ⑤ EXISTING AGGREGATE SHOULDER
- ⑥ EXISTING PCC PAVEMENT
- ⑦ EXISTING FULL DEPTH BITUMINOUS PAVEMENT

* APPROXIMATE ARCGIS MILEPOSTS
 ** OMISSIONS
 STA 724+11.47 TO STA 724+14.62
 STA 724+86.33 TO STA 724+89.47
 STA 103+95.00 TO STA 73+00.00

- ⑧ PROPOSED HMA SURFACE COURSE, 1 1/2"
- ⑨ PROPOSED HMA SURFACE REMOVAL, 2 1/4"
- ⑩ PROPOSED PAVEMENT MARKING
- ⑪ PROPOSED AGGREGATE SHOULDERS
- ⑫ PROPOSED BITUMINOUS SHOULDERS
- ⑬ PROPOSED HMA SURFACE REMOVAL, 1"
- ⑭ PROPOSED HMA BINDER COURSE, 3/4"



TO BE USED:

**STA. 73+00 TO STA. 66+75 AH (1.61 TO 1.49) *
 STA. 66+75 AH TO STA. 778+30.97 AH (1.49 TO 1.49) *

SHEET 5 OF 6

FILE NAME = 78379-sh1-plan.dgn FILE = F:\IDOT\Documents\IDOT Offices\District 9\Projects\78379\CADData\CADsheets\78379-sh1-plan.dgn	USER NAME = weemsbf	DESIGNED -	REVISED -	STATE OF ILLINOIS DEPARTMENT OF TRANSPORTATION	TYPICAL SECTION		F.A.P. RTE.	SECTION	COUNTY	TOTAL SHEETS	SHEET NO.	
	PLOT SCALE = 100.0000' / 1" =	CHECKED -	REVISED -		REVISED -	SCALE:	SHEET NO. 5 OF 6 SHEETS	STA.	TO STA.	332	(97-2,5,5-2,5Y,4Y,4RS-2)	WHITE
PLOT DATE = 3/24/2014	DATE -	REVISED -	REVISED -						CONTRACT NO. 78379			ILLINOIS FED. AID PROJECT