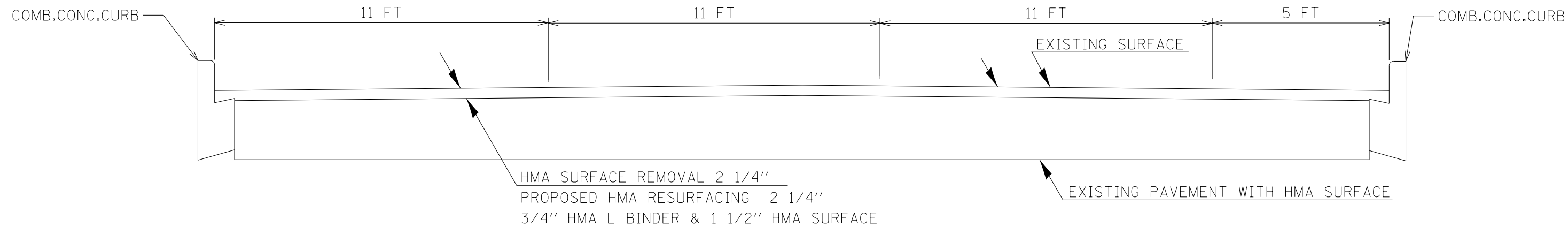
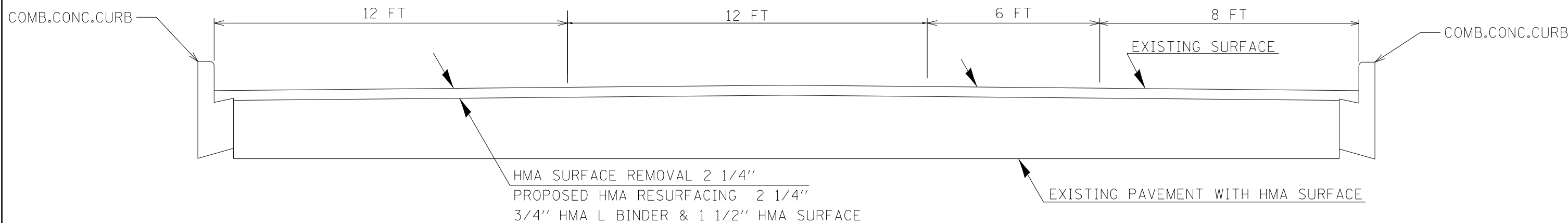


TYPICAL SECTION  
US RTE 51  
EXISTING PAVEMENT WITH HMA SURFACE



SB US 51  
STA 9N+21.23 TO STA 28N+03



SB US 51  
STA 28N+60 TO STA 3S+69.80

FILE NAME =	USER NAME = \$USER\$	DESIGNED -	REVISED -	<b>STATE OF ILLINOIS DEPARTMENT OF TRANSPORTATION</b>	<b>TYPICAL SECTIONS SHEET 3 OF 3</b>				F.A.P. RTE.	SECTION	COUNTY	TOTAL SHEETS	SHEET NO.
c:\pwork\pwork\leftwchd\0381784\7814-sha-misc.dgn		DRAWN -	REVISED -		322	(1-1RS-1, 1ORS-2, 9RS-6)	JACKSON	26	10				
\$MODELNAME\$		CHECKED -	REVISED -		CONTRACT NO. 78414				ILLINOIS FED. AID PROJECT				
		DATE -	REVISED -		SCALE:	SHEET	OF	SHEETS	STA.	TO	STA.		