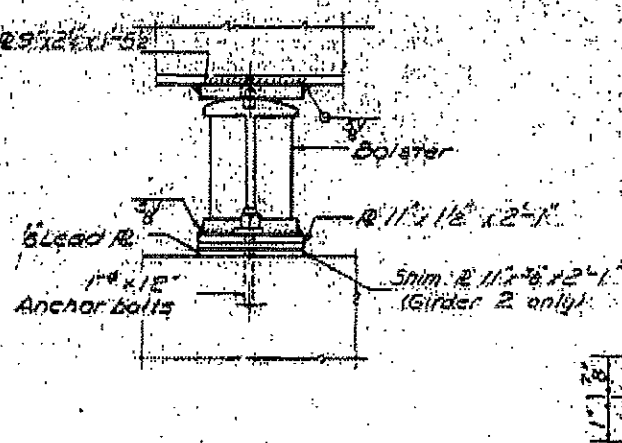
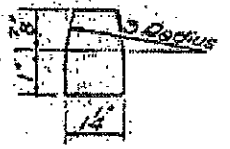


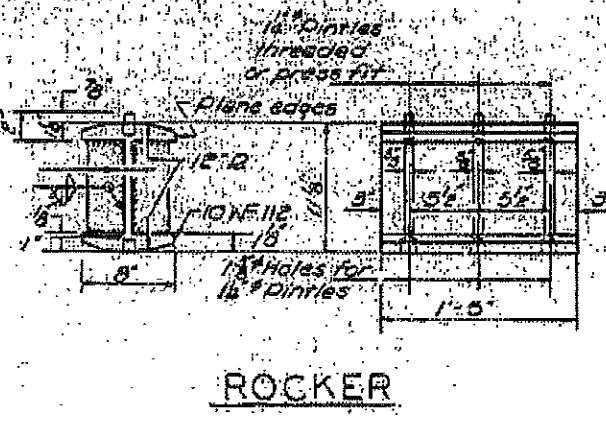
ELEVATION



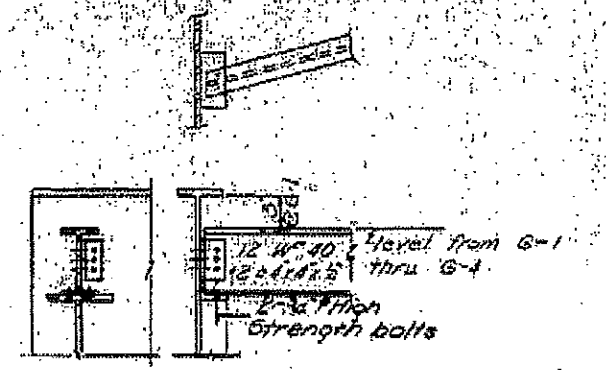
ELEVATION



PINTLE

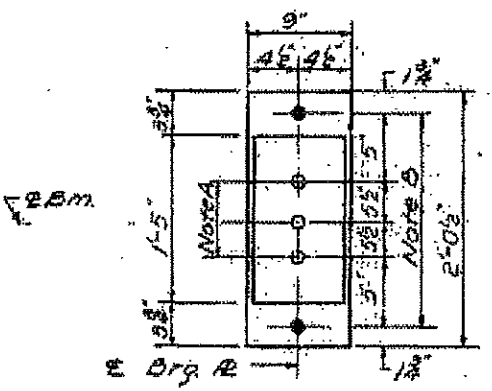


ROCKER



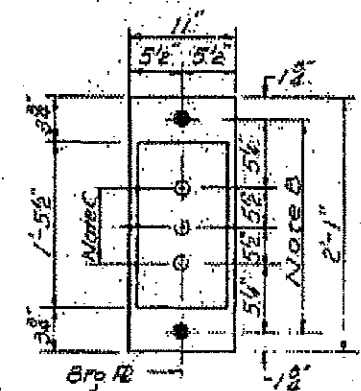
DIAPHRAGM D

6 Required  
\*Bent angles to fit skew



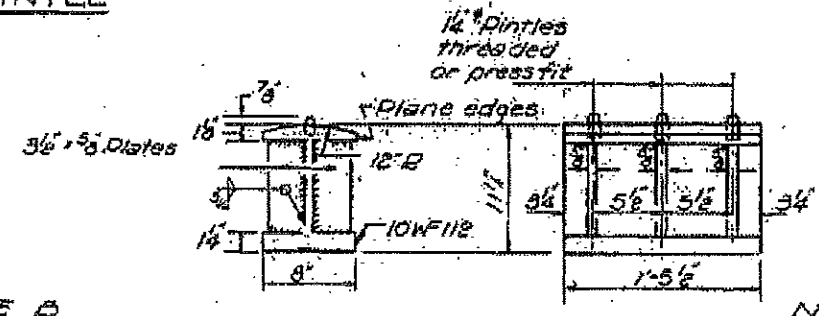
PLAN AT ABUTMENT

NOTE A  
1 1/2" Holes 1" deep in top R for pintles Threaded or press fit pintles in bottom R



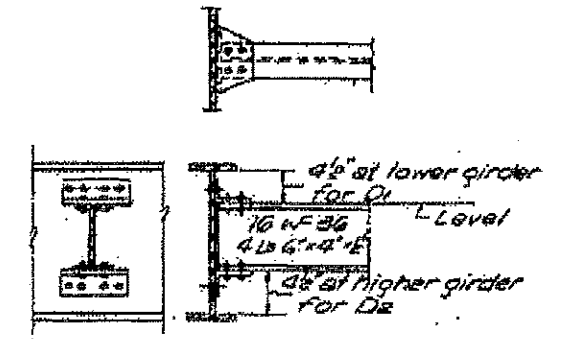
PLAN AT PIER

NOTE B  
1 1/2" Holes for 1" anchor bolts 2 1/2 x 2 1/2 x 3/8 R Washers under nut



BOLSTER

NOTE C  
1 1/2" Holes 1" deep in top R only for 1 1/2" pintles



DIAPHRAGM D<sub>1</sub> & D<sub>2</sub>

27 Required

NOTES ON SETTING OF ANCHOR BOLTS AT EXPANSION BEARINGS

- a) D\* (Side of brg. away from fixed brg.)  
D\* = 3/8" per each 100' of expansion for every 15° fall below the normal temperature of 50° F
- D\*\* (Side of brg. toward fixed brg.)  
D\*\* = 3/8" per each 100' of expansion for every 15° rise above the normal temperature of 50° F
- b) After beams have been erected and dimensions D\* or D\*\* determined, holes shall be drilled and anchor bolts shall be grouted in place. All fixed anchor bolts may be built into the masonry.

TABLE OF MOMENTS AND REACTIONS

	MOMENTS		REACTIONS	
	Span 1 or 2	Pier	Abut.	Pier
Initial Dead Load	564.0 K'	1432.0	33.5 K	125.0 K
Comp. Dead Load	275.0 K'	437.0	14.5 K	47.0 K
Live Load	675.0 K'	569.0	35.0 K	57.0 K
Impact	153.0 K'	129.0	8.0 K	13.0 K
Total	1667.0 K'	2567.0	91.0 K	242.0 K

TOP OF WEB ELEVATIONS

	Girder #1	Girder #2	Girder #3	Girder #4
2 Brg. Abut.	375.25	375.40	375.46	375.40
2 Splice #1	376.55	376.69	376.73	376.66
2 Brg. Pier	376.91	377.04	377.08	377.01
2 Splice #2	377.27	377.39	377.43	377.36
2 Brg. E. Abut.	378.12	378.24	378.24	378.16

(For fabrication only)

	Steel Section		Composite Sec.
	Span 1 or 2	Pier	Span 1 or 2
I	15,399.0 in <sup>4</sup>	38,316.0 in <sup>4</sup>	40,220.0 in <sup>4</sup>
S <sub>t</sub>	580.0 in <sup>3</sup>	1,648.0 in <sup>3</sup>	3,078.0 in <sup>3</sup>
S <sub>b</sub>	882.0 in <sup>3</sup>	1,648.0 in <sup>3</sup>	1,196.0 in <sup>3</sup>

DESIGNED: Herbert King  
 DRAWN: James Hamilton  
 CHECKED: G.E. Wilkins  
 DATE: Dec. 10, 1969  
 APPROVED: W.C. Hill

BEARING DETAIL  
E.I. RT. 24 SEC. 64-2ND  
MASSAC COUNTY  
STA. 298+82