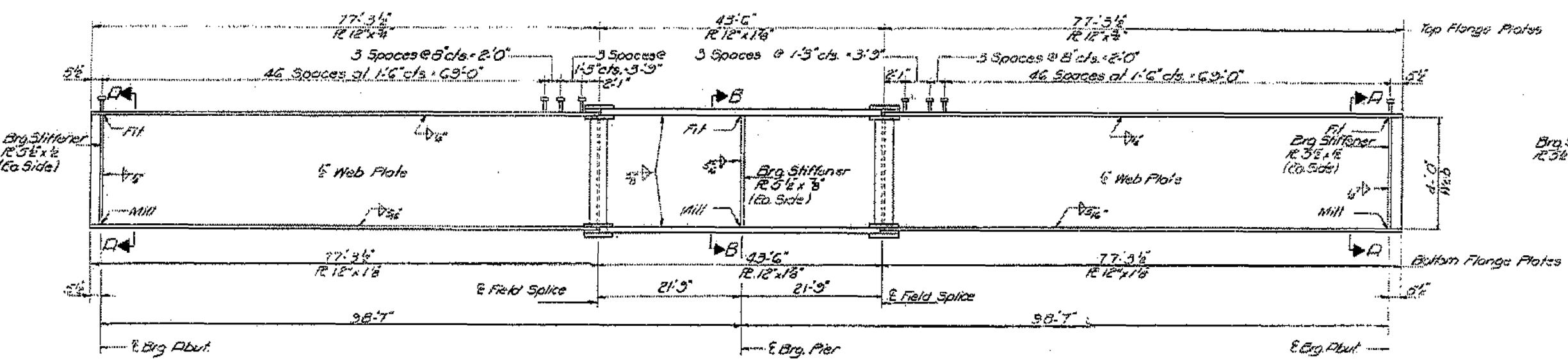
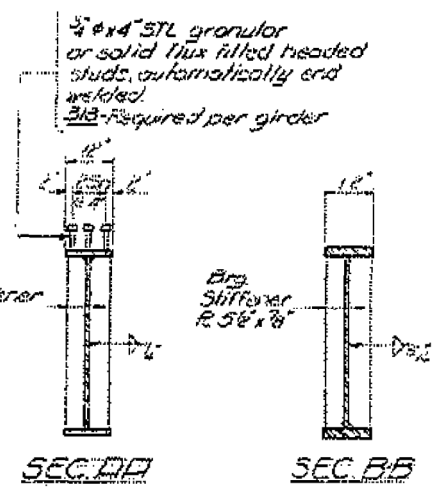


FRAMING PLAN



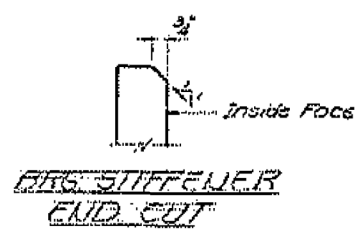
GIRDER ELEVATION
Top & Bottom of girder web shall be cut to camber curve. See Sheet #7.



STRUCTURAL STEEL
F&E RT-24 SEC 68-1184
MASSAC COUNTY
STA. 204+27

DESIGNED	I. Kaper
CHECKED	Rao.G.k
DRAWN	J.T. Downing
CHECKED	Rao.G.k

EXAMINER: *Richard H. [Signature]*
 PASSED: *Richard H. [Signature]*
 APPROVED: *Richard H. [Signature]*



FOR INFORMATION ONLY