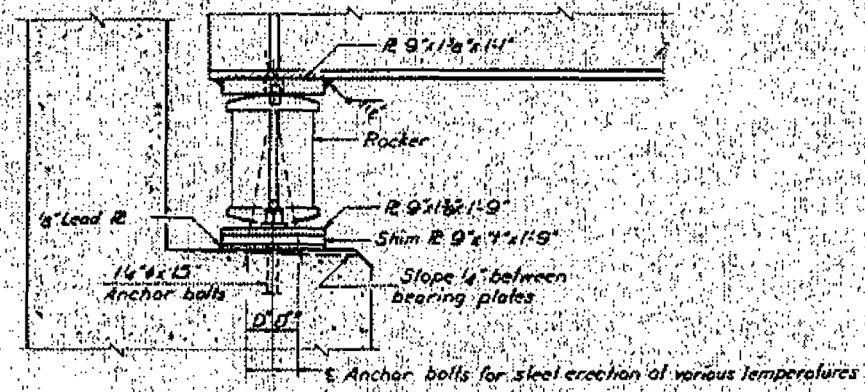
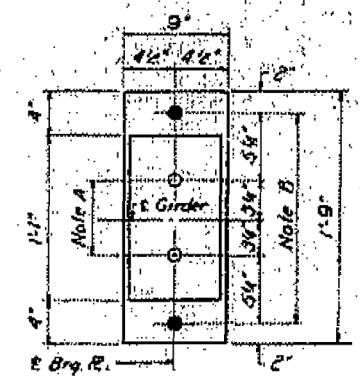


STATE OF ILLINOIS
DEPARTMENT OF PUBLIC WORKS & BUILDINGS
DIVISION OF HIGHWAYS



SECTION

Note: 1 1/2" @ Girder 3 only.

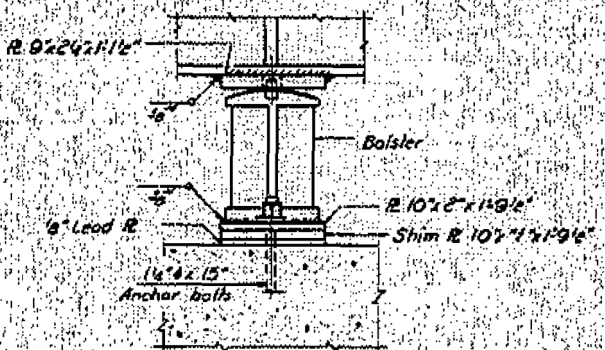


PLAN

AT ABUTMENT

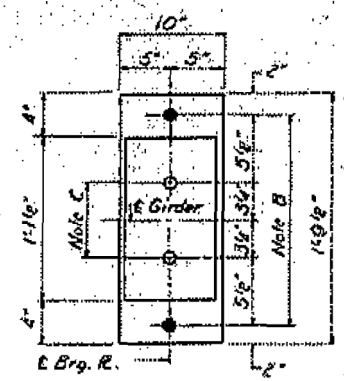
Note A
1 1/2" Holes - 1" deep in top R for pintles, thread or press fit pintles into bottom R.

Note B
1 1/2" Holes for 1 1/2" anchor bolts. 2 1/2" x 3/8" R. Washers under nut.



ELEVATION

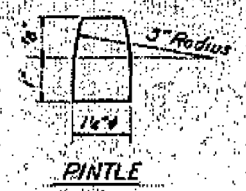
Note: 1 1/2" @ Girder 3 only.



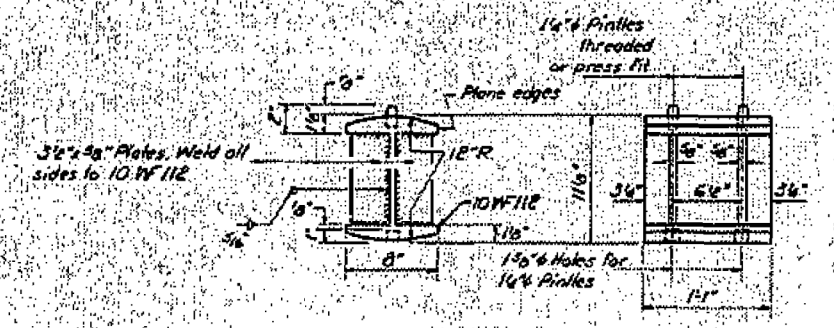
PLAN

AT PIER

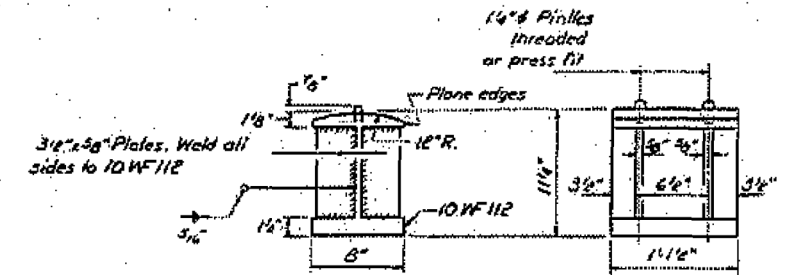
BEARING ASSEMBLY DETAILS



PINTLE



ROCKER



BOLSTER

Note C
1 1/2" Holes 1" deep in top R only for 1 1/2" pintles.

NOTES ON SETTING OF ANCHOR BOLTS AT EXP BRGS.

- Side of brg. away from fixed brg.)
D'' x 1/8" per each 100' of expansion for every 15' fall below the normal temp. of 50°F.
 - Side of brg. toward fixed brg.)
D''' x 1/8" per each 100' of expansion for every 15' rise above the normal temp. of 50°F.
- b) After girders have been erected and dimensions D'' or D''' determined, holes shall be drilled and anchor bolts shall be grouted in place. All pier anchor bolts shall be built into the masonry.

DESIGNED	I. Kapor
CHECKED	RAO.G.K.
DRAWN	SE. Lindsay
CHECKED	RAO.G.K.

EXAMINED
PASSED
APPROVED

BEARING DETAILS
EAL RT 24 SEC. 64-118-1
MASSAC COUNTY
STA. 204 + 27