



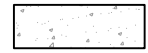
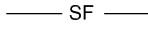
P0018

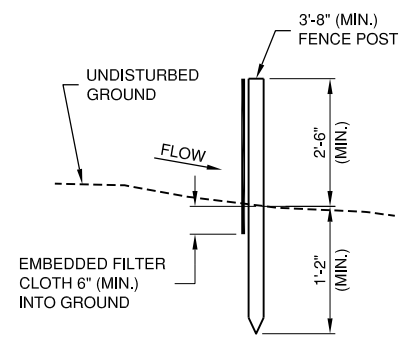
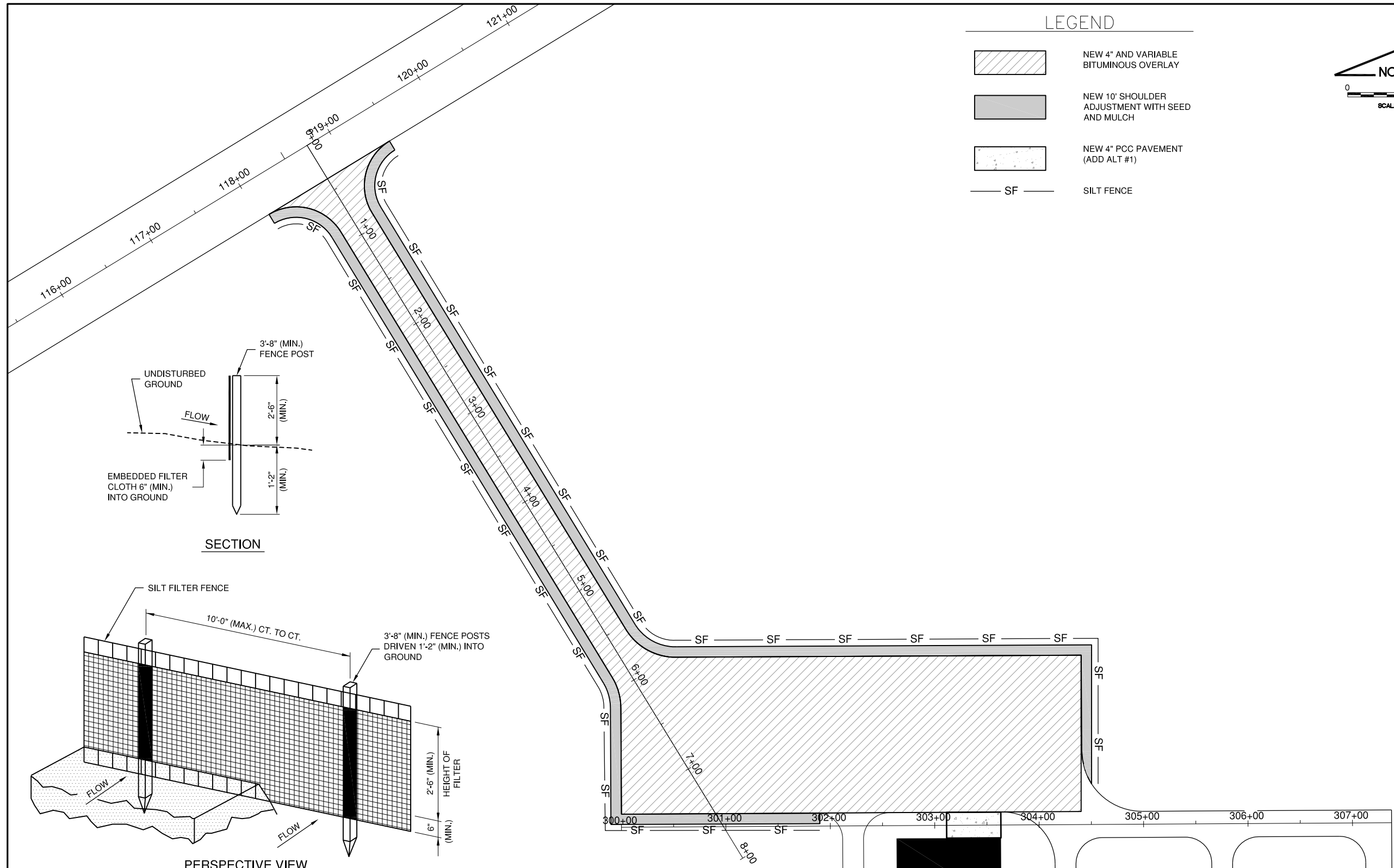
REVISIONS		
NUMBER	BY	DATE



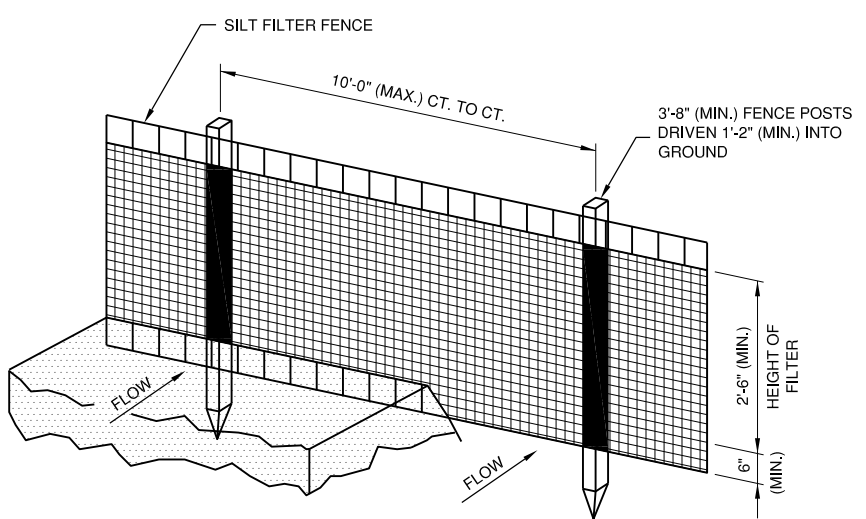
0 1 2
 THIS BAR IS EQUAL TO 2"
 AT FULL SCALE (34X22).

LEGEND

-  NEW 4" AND VARIABLE BITUMINOUS OVERLAY
-  NEW 10' SHOULDER ADJUSTMENT WITH SEED AND MULCH
-  NEW 4" PCC PAVEMENT (ADD ALT #1)
-  SILT FENCE



SECTION




PERSPECTIVE VIEW

EROSION CONTROL FABRIC FENCE DETAILS
 N.T.S.

EROSION CONTROL FABRIC FENCE NOTES

1. WOVEN WIRE FENCE TO BE FASTENED SECURELY TO FENCE POSTS WITH WIRE TIES OR STAPLES.
2. FILTER CLOTH TO BE FASTENED SECURELY TO WOVEN WIRE FENCE WITH TIES SPACED EVERY 2'-0" AT TOP AND MID SECTION.
3. WHEN TWO SECTIONS OF FILTER CLOTH ADJOIN EACH OTHER THEY SHALL BE OVERLAPPED BY 6" MINIMUM AND FOLDED.
4. MAINTENANCE SHALL BE PERFORMED AS NEEDED AND MATERIAL REMOVED WHEN "BULGES" DEVELOP IN THE SILT FENCE. MAINTENANCE, WHICH INCLUDES THE REPLACEMENT OF DAMAGED FENCE SHALL BE CONSIDERED INCIDENTAL TO THE COST OF THE EROSION CONTROL FENCE.

**PONTIAC MUNICIPAL AIRPORT
 PONTIAC, ILLINOIS
 REHABILITATE APRON AND CONNECTING TAXIWAY
 PROPOSED IMPROVEMENTS**

© Copyright CMT, Inc.

CMT
 CRAWFORD, MURPHY & TILLY, INC.
 CONSULTING ENGINEERS
 License No. 184-000613

DESIGN BY:	JEF
DRAWN BY:	JEF, ADD
CHECKED BY:	RJH
APPROVED BY:	JEF
DATE:	APRIL 18, 2014
JOB No:	1305402
IL PROJ. NO. PNT-4142 AIP PROJ. NO. 3-17-SBGP-XX	
SHEET	7 OF 17 SHEETS

I:\AVIandPontiac\1305402\Drawn\Sheets