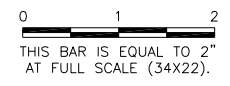


P0018

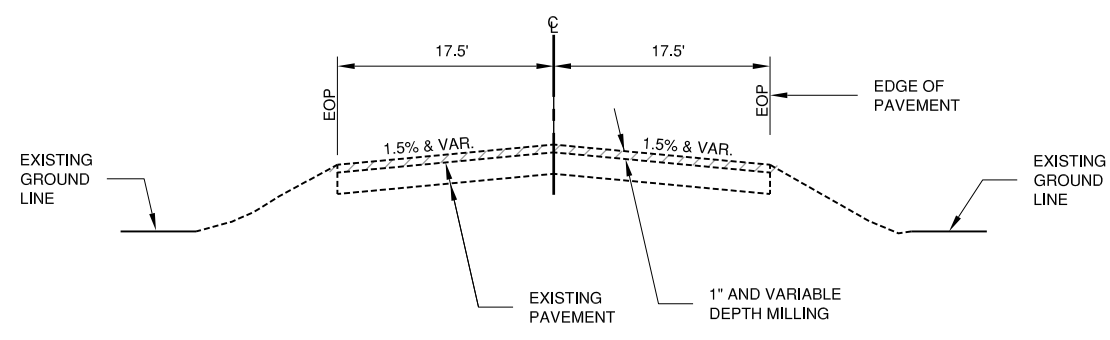
REVISIONS		
NUMBER	BY	DATE



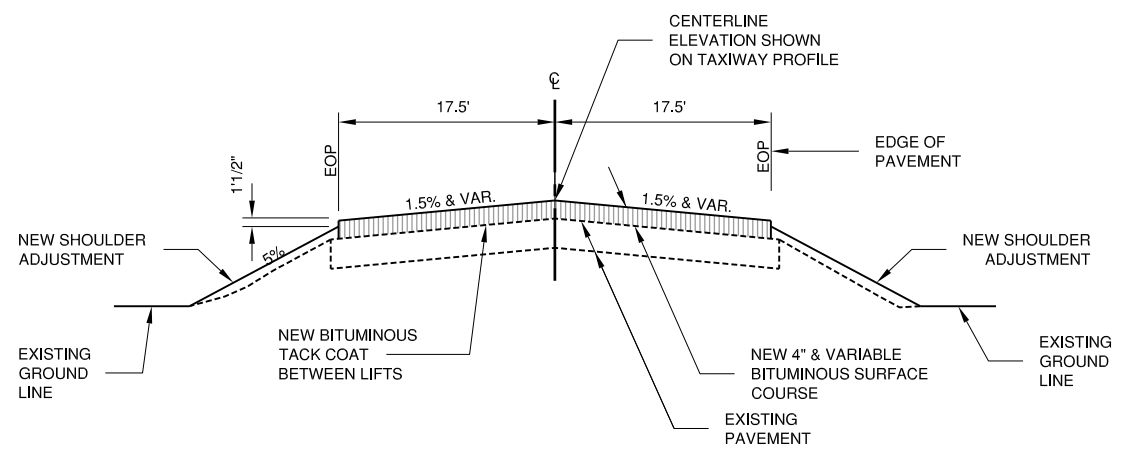
**PONTIAC MUNICIPAL AIRPORT
 PONTIAC, ILLINOIS
 REHABILITATE APRON AND CONNECTING TAXIWAY
 TYPICAL SECTIONS**

© Copyright CMT, Inc.
CMT
 CRAWFORD, MURPHY & TILLY, INC.
 CONSULTING ENGINEERS
 License No. 184-000613

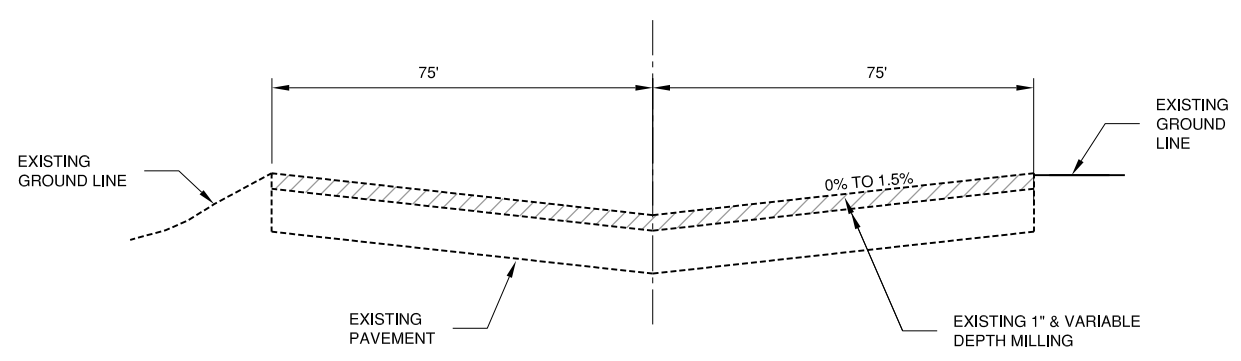
DESIGN BY:	JEF
DRAWN BY:	JEF, ADD
CHECKED BY:	RJH
APPROVED BY:	JEF
DATE:	APRIL 18, 2014
JOB No:	1305402
IL PROJ. NO. PNT-4142 AIP PROJ. NO. 3-17-SBGP-XX	
SHEET	8 OF 17 SHEETS



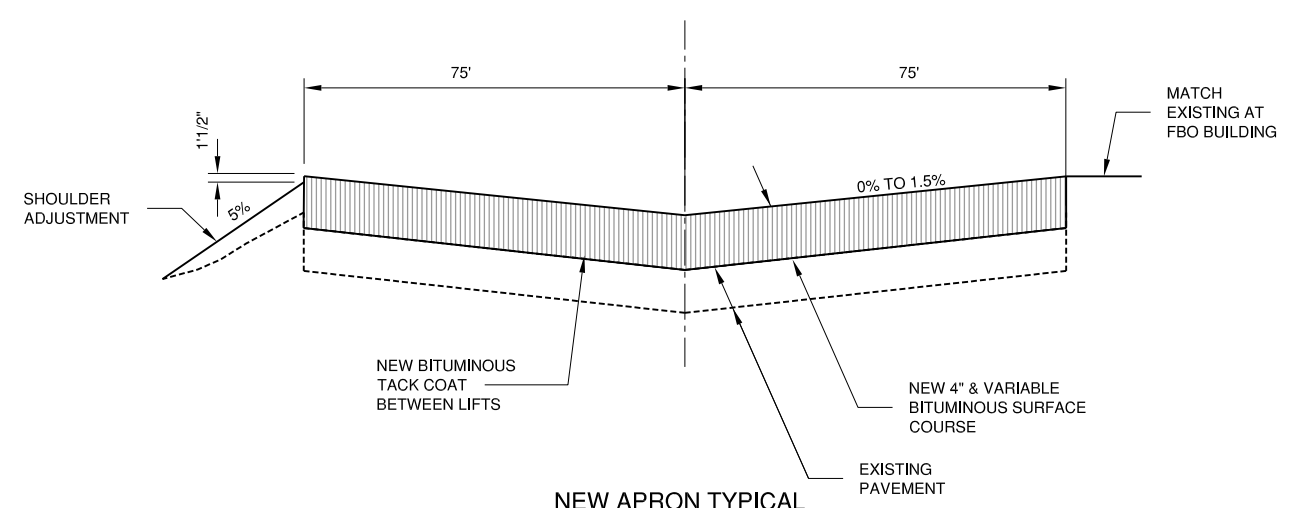
EXISTING TAXIWAY TYPICAL SECTION
N.T.S.



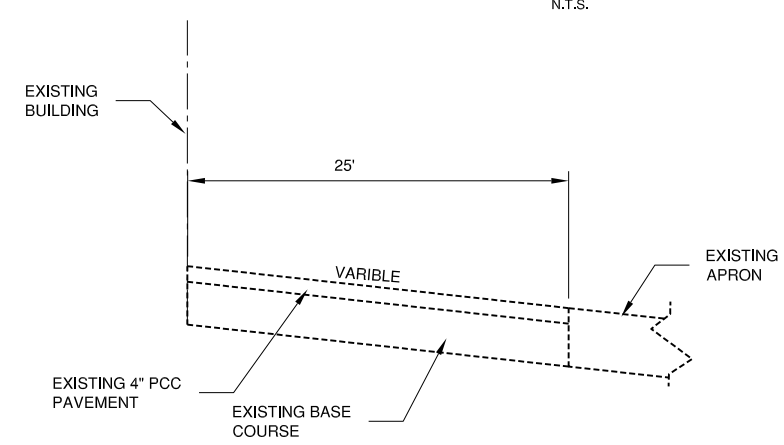
NEW TAXIWAY TYPICAL SECTION
N.T.S.



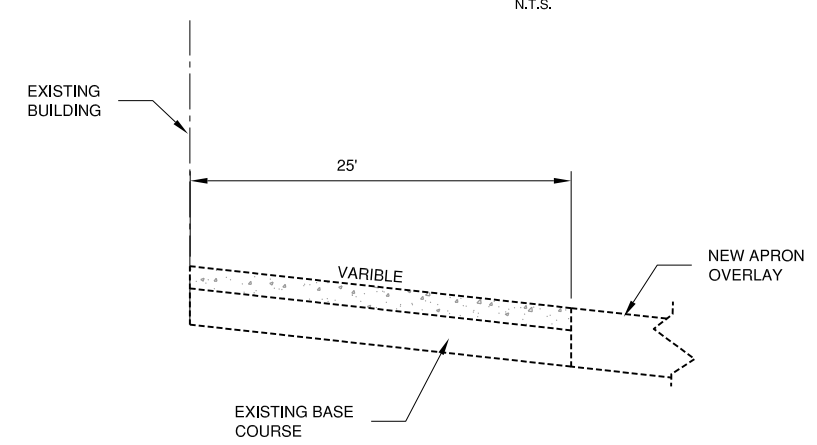
EXISTING APRON TYPICAL SECTION
N.T.S.



NEW APRON TYPICAL SECTION
N.T.S.



EXISTING 4" PCC PAVEMENT TYPICAL SECTION
N.T.S.



NEW 4" PCC PAVEMENT (ADD. ALT #1) TYPICAL SECTION
N.T.S.

I:\AV\and\Pontiac\PA\130540200\Drawn\Sheets