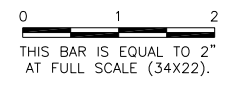


**PO018**

REVISIONS		
NUMBER	BY	DATE



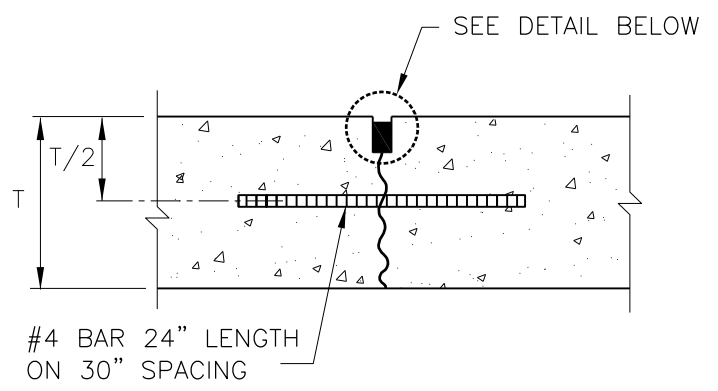
**PONTIAC MUNICIPAL AIRPORT  
 PONTIAC, ILLINOIS**

**REHABILITATE APRON AND CONNECTING TAXIWAY  
 PCC PAVEMENT DETAILS**

© Copyright CMT, Inc.

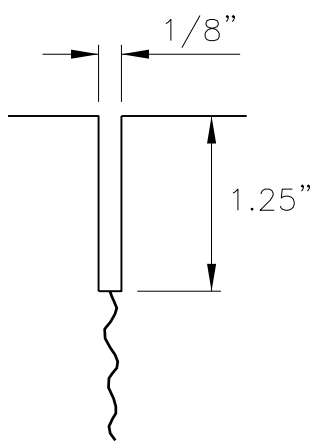
**CMT**  
 CRAWFORD, MURPHY & TILLY, INC.  
 CONSULTING ENGINEERS  
 License No. 184-000613

DESIGN BY:	JEF
DRAWN BY:	JEF, ADD
CHECKED BY:	RJH
APPROVED BY:	JEF
DATE:	APRIL 18, 2014
JOB No:	1305402
IL. PROJ. NO. PNT-4142 AIP PROJ. NO. 3-17-SBGP-XX	
SHEET 17 OF 17 SHEETS	



**HINGED (TIED) JOINT**

SYMBOL —|—|—



**SAWCUT DETAIL**

