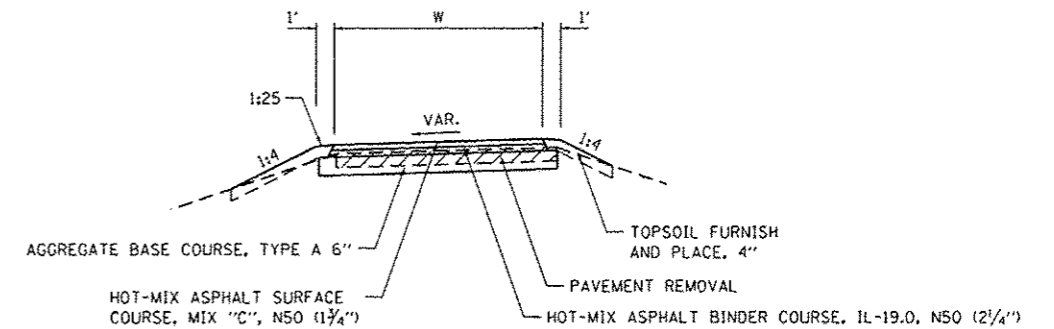


ENTRANCE - TYPICAL #1

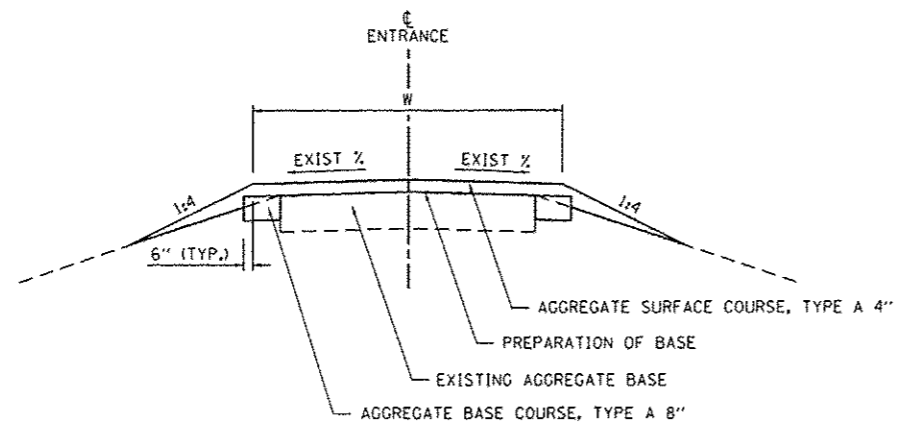
- AREA A: STA. 2+72.29 TO STA. 3+27.73
- AREA B: STA. 2+56.00 TO STA. 2+87.22
- AREA C: STA. 2+49.25 TO STA. 2+86.82
- LOWER CHIPPEWA BOAT ACCESS ROAD: STA. 22+42.30 TO STA. 22+72.30
- RIVERVIEW
- HORSE STABLE DRIVE: STA. 11+54.00 TO STA. 11+74.00
- ROCK CREEK: STA. 0+10.55 TO STA. 0+36.96
- DAVIS CREEK: STA. 18+05.00 TO STA. 18+55.16
- AREA 1: STA. 0+13.06 TO STA. 0+39.90
- AREA 2: STA. 0+13.12 TO STA. 0+44.00
- AREA 3: STA. 0+14.38 TO STA. 0+46.84
- AREA 4: STA. 0+13.00 TO STA. 0+48.00
- FISHING ACCESS SOUTH: STA. 0+18.20 TO STA. 0+42.44
- AREA 5: STA. 0+13.34 TO STA. 0+51.20
- AREA 6: STA. 0+13.41 TO STA. 0+53.46
- AREA 7: STA. 0+14.63 TO STA. 0+92.97
- AREA 8: STA. 0+13.26 TO STA. 0+57.58
- AREA 9: STA. 0+13.25 TO STA. 0+52.14
- AREA 10: STA. 0+13.23 TO STA. 0+37.47

• 3' AGGREGATE SHELF DOES NOT APPLY TO THESE ENTRANCES. SHELF SHALL BE PROVIDED ONLY ON ENTRANCES ALONG IL 102 AND IL 113.



TRAIL - TYPICAL

- AREA A
- AREA B
- AREA C
- CHIPPEWA CAMPGROUND
- LOWER CHIPPEWA BOAT ACCESS ROAD
- MAIN PARK ROAD

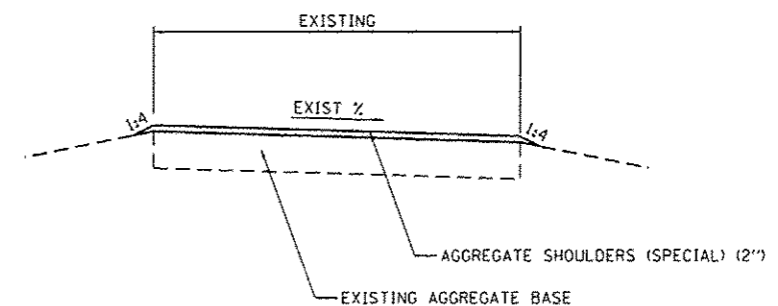


ENTRANCE - TYPICAL #2

- ROCK CREEK: STA. 0+36.96 TO STA. 0+59.95
- AREA 2: STA. 0+44.00 TO STA. 0+73.39
- AREA 5: STA. 0+51.20 TO STA. 0+87.13
- AREA 6: STA. 0+53.46 TO STA. 0+90.57
- AREA 8: STA. 0+57.58 TO STA. 0+93.97
- AREA 9: STA. 0+52.14 TO STA. 0+86.38

•• AGGREGATE SURFACE COURSE, TYPE A 6" AT THIS LOCATION

NOTE: 1. SEE PLAN SHEETS FOR ROADWAY WIDTHS



CAMPGROUND PADS - TYPICAL

- CHIPPEWA CAMPGROUND
- AREA 4 CAMPGROUND

FILE NAME :	USER NAME : Brad Downen	DESIGNED - MJD	REVISED -
L:\1001\1186618\10_15\Draw\CADD_Sheets\046251-shc-typicals.dgn		DRAWN - RAH	REVISED -
		CHECKED - BJD	REVISED -
Sheet 4	PLOT DATE : 4/6/2013	DATE - 3/29/2013	REVISED -

STATE OF ILLINOIS
DEPARTMENT OF TRANSPORTATION

TYPICAL SECTIONS & PAVEMENT STRUCTURE DETAILS
KANKAKEE RIVER STATE PARK

SCALE: N.T.S. SHEET 4 OF 7 SHEETS STA. TO STA.

F.A. RTE.	SECTION	COUNTY	TOTAL SHEETS	SHEET NO.
	PARK ROADS		140	15
• WILL & KANKAKEE			CONTRACT NO. 46251	
ILLINOIS FED. AID PROJECT				