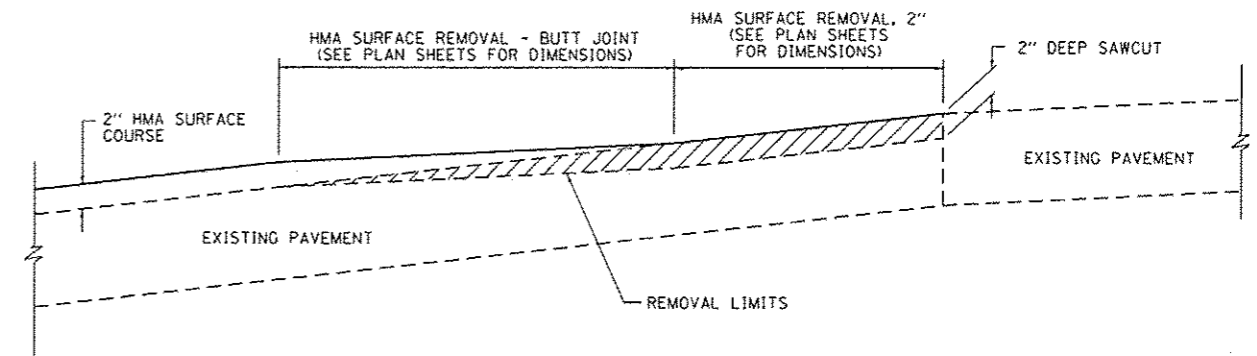


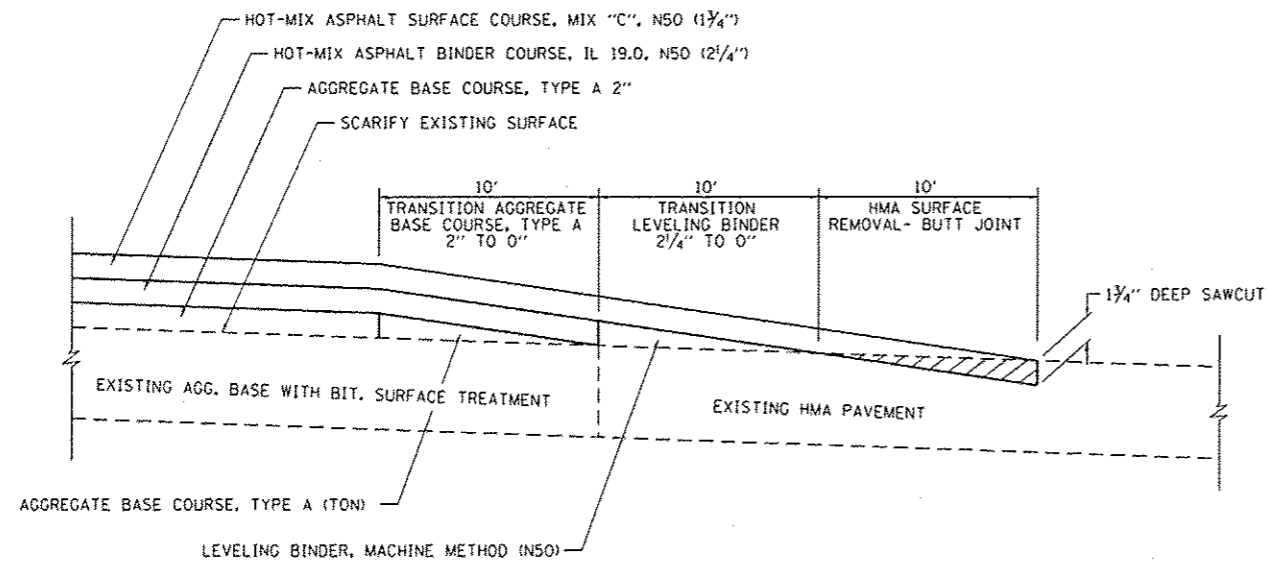
BUTT JOINT - 1

CHIPPEWA CAMPGROUND ENTRANCE
CONCESSION
CEDAR GROVE
OAK GROVE
MAIN PARK ROAD
RIVER BIRCH ADA DRIVE
AREAS 9 AND 10 BOAT ACCESS ROAD



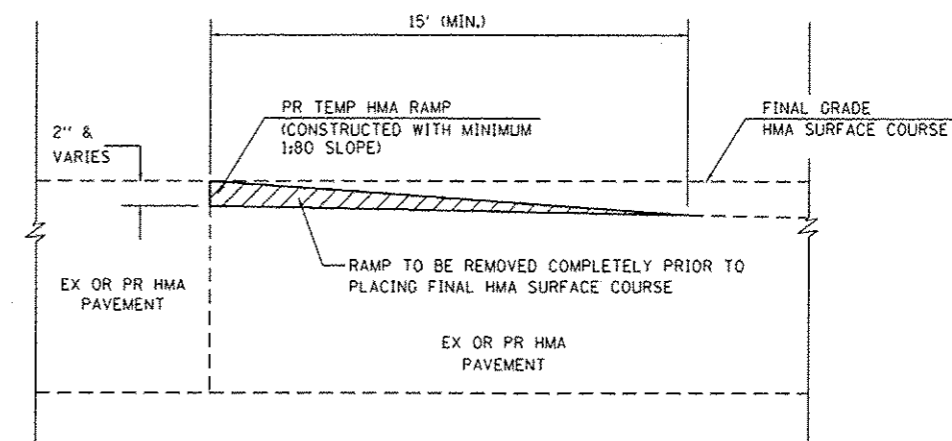
BUTT JOINT - 3

NORTH LOOP



BUTT JOINT - 2

LOWER CHIPPEWA BOAT ACCESS ROAD



TEMPORARY RAMPS

AS DIRECTED BY THE ENGINEER FOR MAINTENANCE OF TRAFFIC OPERATIONS

FILE NAME : L:\1001\1186610\10_1510-CA00-Sheets\046251-ramp-Details.dgn	USER NAME : Brad Downen	DESIGNED - MJD	REVISED -
DP4	PLOT SCALE : 100.0000' / in.	DRAWN - RAH	REVISED -
	PLOT DATE : 4/6/2013	CHECKED - BJD	REVISED -
		DATE - 3/29/2013	REVISED -

STATE OF ILLINOIS
DEPARTMENT OF TRANSPORTATION

BUTT JOINT & TEMPORARY RAMP DETAILS
KANKAKEE RIVER STATE PARK

SCALE: N.T.S. SHEET 1 OF 1 SHEETS STA. TO STA.

F.A. RTE.	SECTION	COUNTY	TOTAL SHEETS	SHEET NO.
	PARK ROADS		140	128
* WILL & KANKAKEE			CONTRACT NO. 46251	
ILLINOIS FED. AID PROJECT				