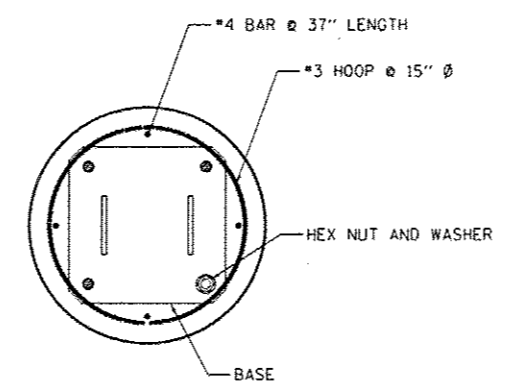
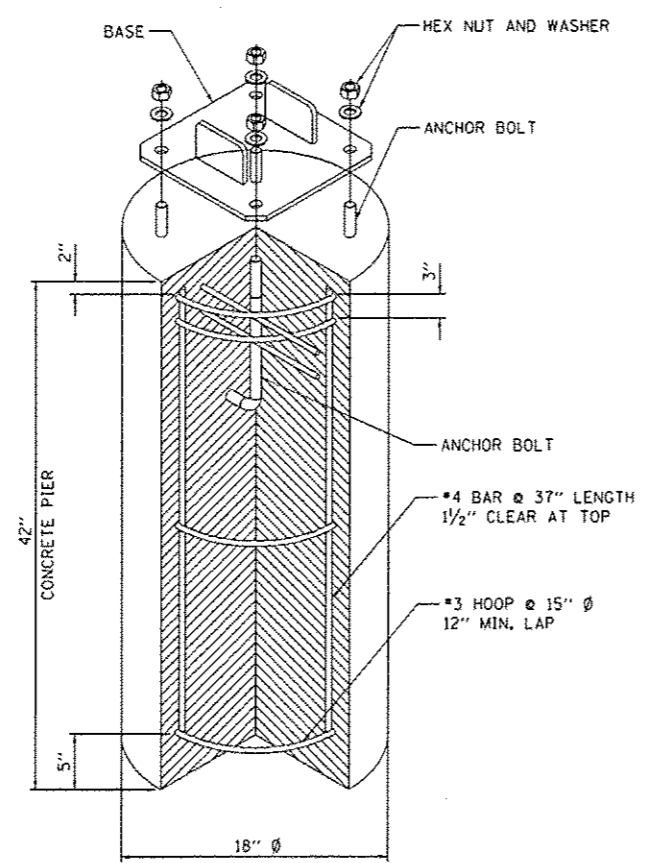


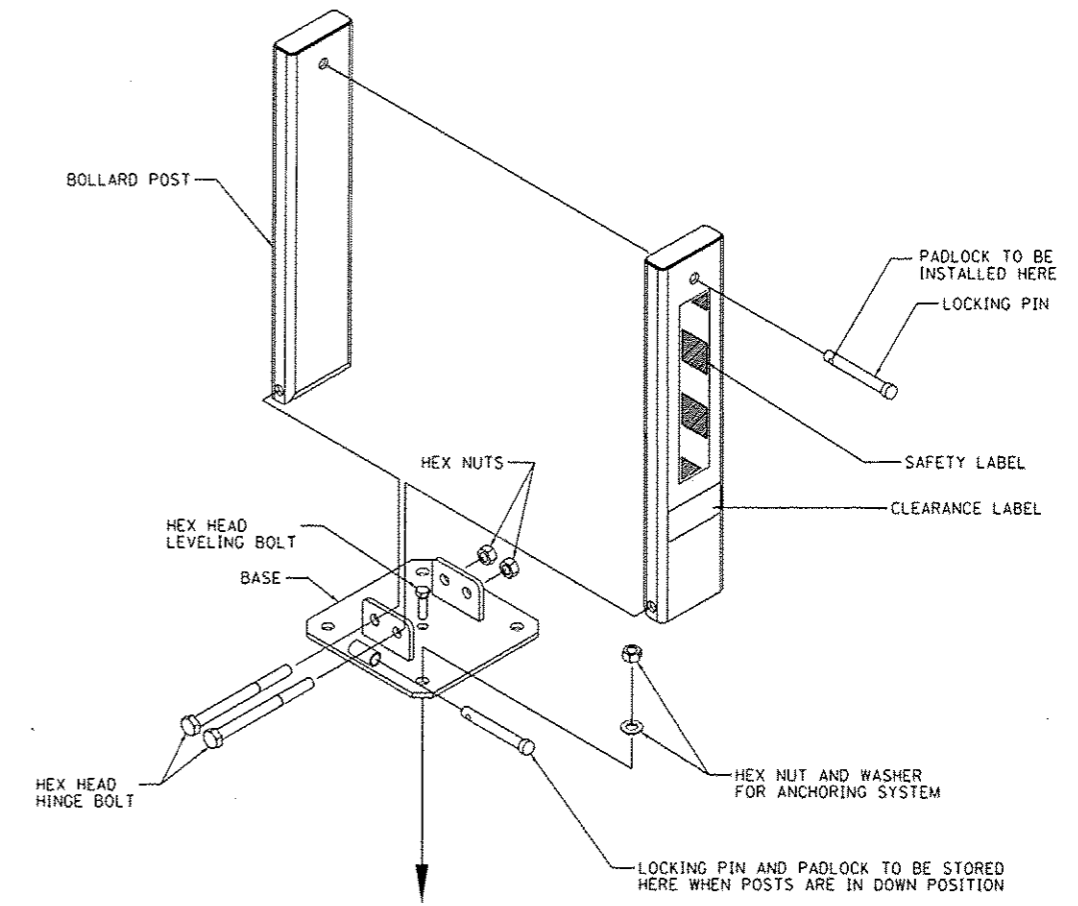
**ELEVATION**



**SECTION**



**ANCHOR SYSTEM**



**DOUBLE HINGE BOLLARD POST**

FILE NAME: L:\DOT\1186618\15\Drawings\LEAD0_Sheets\046251-913-Detail.dgn	USER NAME: Brad Downen	DESIGNED - MJO	REVISED -	<b>STATE OF ILLINOIS DEPARTMENT OF TRANSPORTATION</b>	<b>FOLD DOWN BOLLARD DETAIL KANKAKEE RIVER STATE PARK</b>		F.A. RTE.	SECTION	COUNTY	TOTAL SHEETS	SHEET NO.
	PLT SCALE: 100.0000' / 1" =	CHECKED - BJD	REVISED -				PARK ROADS	*	140	130	
	PLT DATE: 4/6/2013	DATE - 3/29/2013	REVISED -				* WILL & KANKAKEE		CONTRACT NO. 46251		
								ILLINOIS FED. AID PROJECT			

SCALE: N.T.S. SHEET 1 OF 1 SHEETS STA. TO STA.