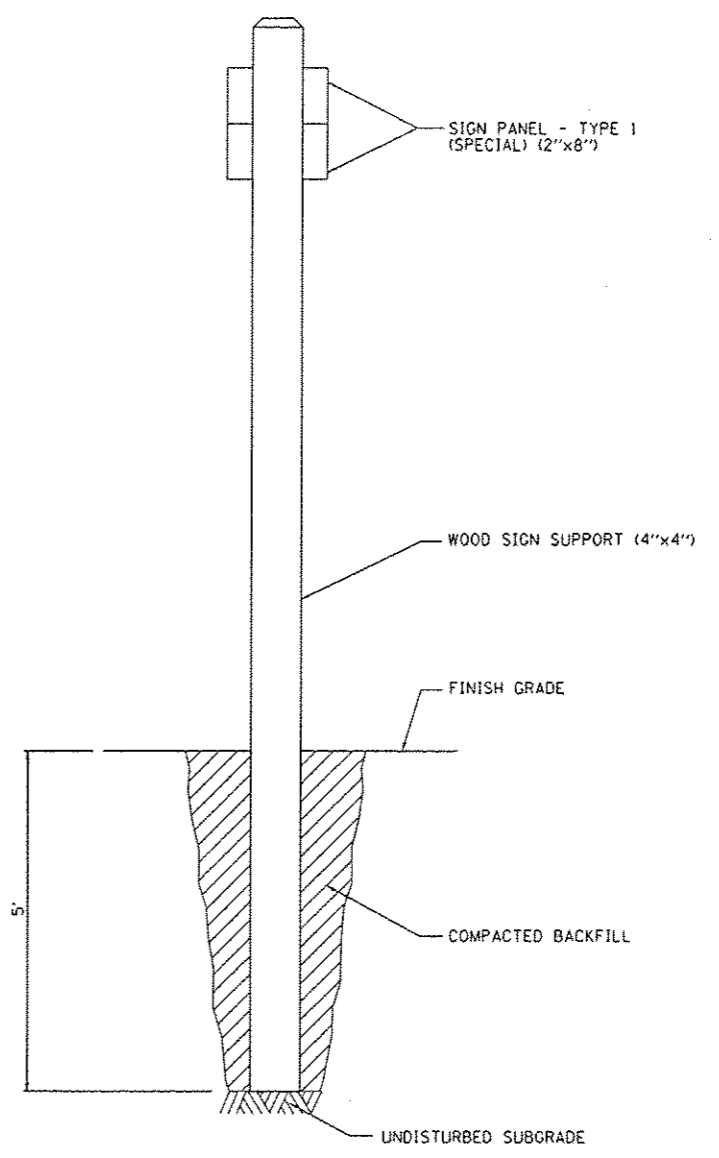


ELEVATION

• SEE PLAN SHEETS FOR SIGN WIDTHS AND LEGEND



SECTION

ENTRANCE SIGN DETAILS

FILE NAME L:\IDOT\1186610\W015\DOT\CAADD_Sheets\013	USER NAME Brad Downen	DESIGNED - MJD	REVISED -	STATE OF ILLINOIS DEPARTMENT OF TRANSPORTATION	ENTRANCE SIGN DETAILS KANKAKEE RIVER STATE PARK		F.A. RTE.	SECTION PARK ROADS	COUNTY •	TOTAL SHEETS 140	SHEET NO. 136
	140251-sht-Details.dgn	DRAWN - RAH	REVISED -		SCALE: N.T.S.	SHEET 1 OF 1 SHEETS	STA. TO STA.	• WILL & KANKAKEE		CONTRACT NO. 46251	
	PLOT SCALE • 1/8" = 1'-0"	CHECKED - BJD	REVISED -					ILLINOIS FED. AID PROJECT			
013	PLOT DATE • 4/6/2013	DATE - 3/29/2013	REVISED -								