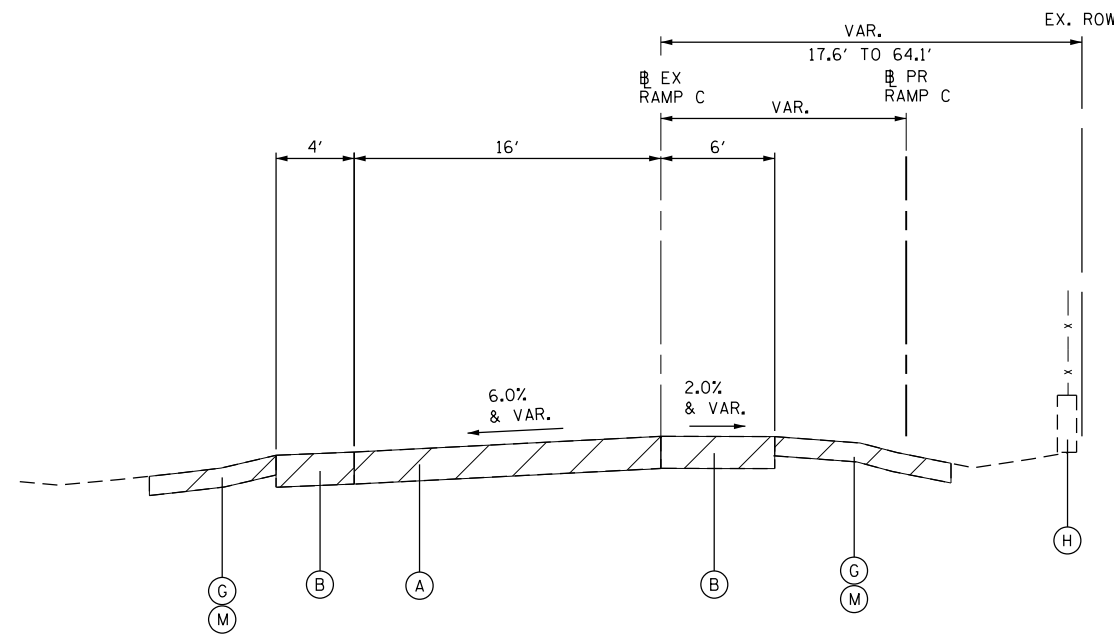
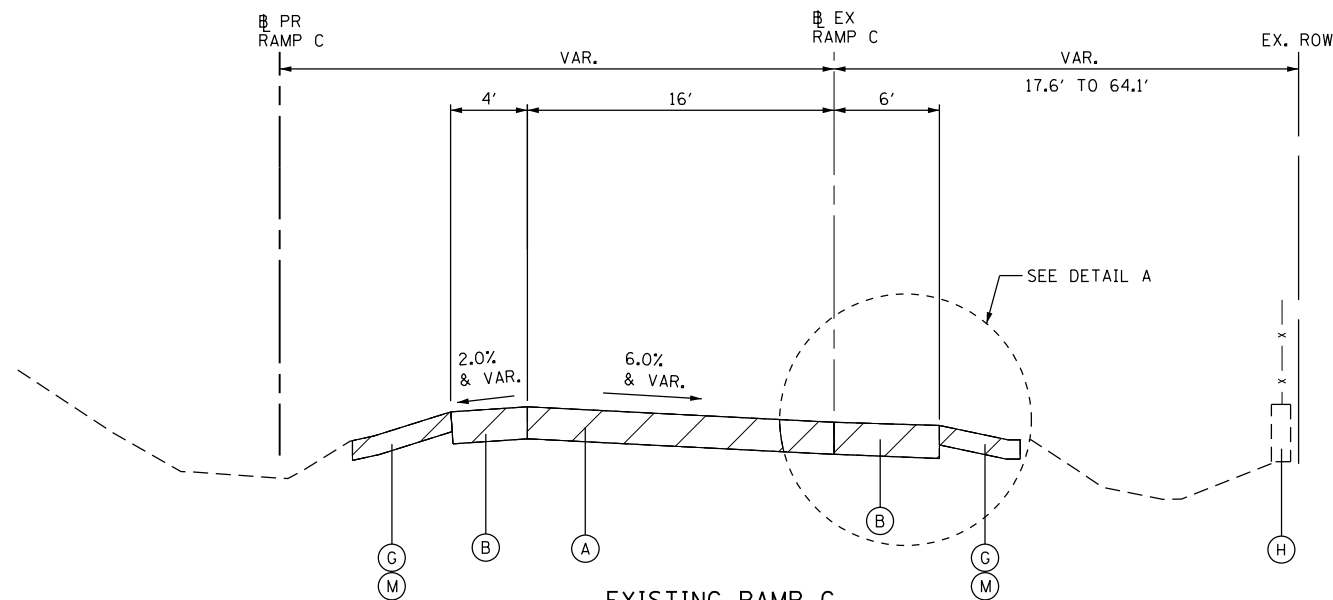


EXISTING LEGEND:

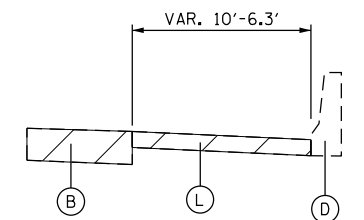
- (A) PCC PAVEMENT, 10" & VAR.
- (B) PCC SHOULDER, 10" & VAR.
- (C) NOT USED
- (D) CONCRETE BARRIER AND BASE
- (E) RETAINING WALL (CAST IN PLACE)
- (F) PROTECTIVE PCC SLAB, 5"
- (G) TOPSOIL, 6"
- (H) KNEE WALL AND FENCE
- (I) CURB AND GUTTER
- (J) CRC PAVEMENT, 12" & VAR.
- (K) PCC SHOULDER, 12" & VAR.
- (L) HMA SHOULDER, 8" & VAR.
- (M) REMOVAL AND DISPOSAL OF UNSUITABLE MATERIAL



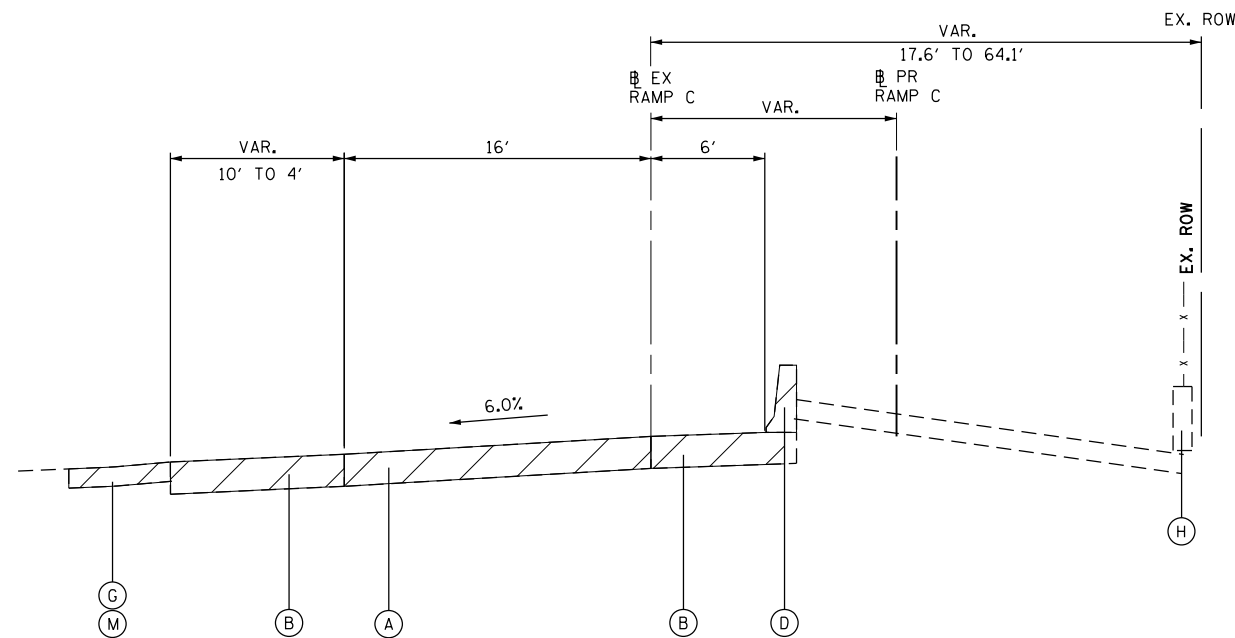
EXISTING RAMP C
STA 116+88.44 TO STA 120+66.19



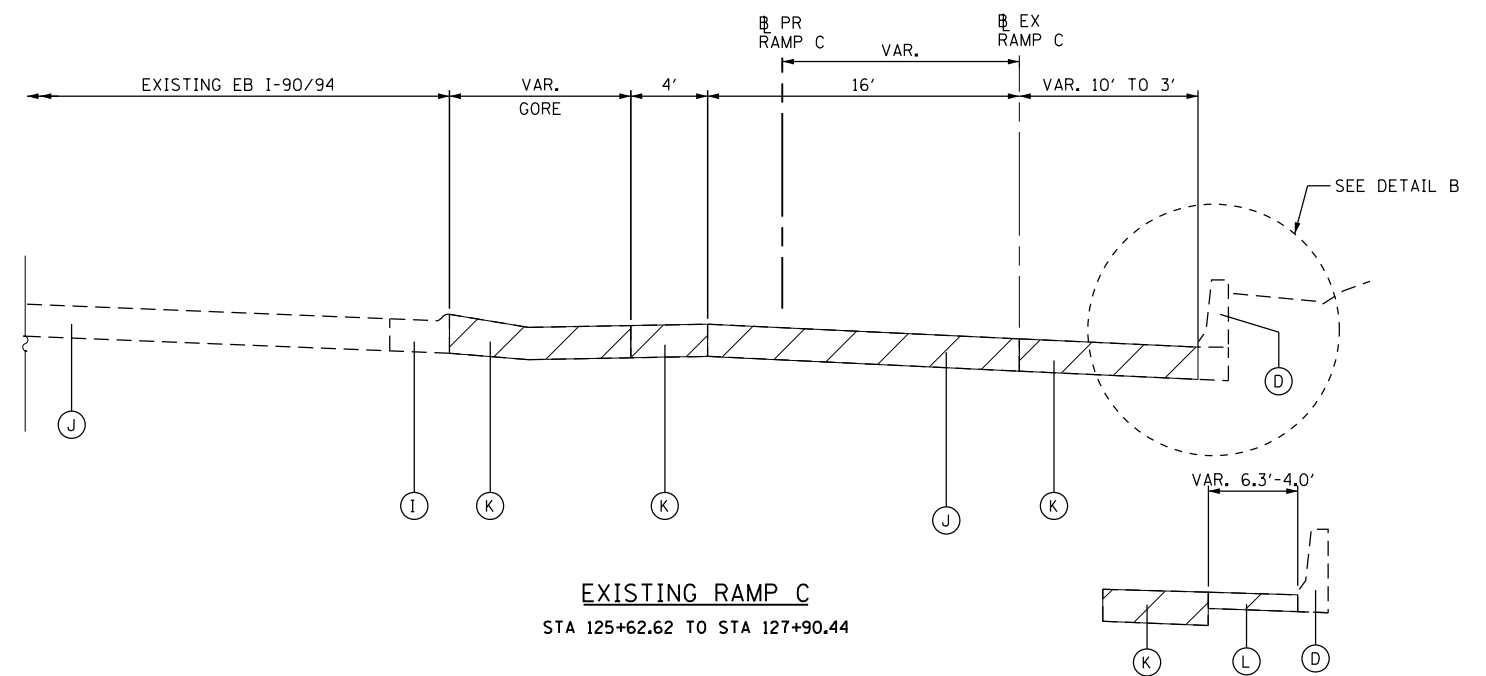
EXISTING RAMP C
STA 120+66.19 TO STA 125+62.62



DETAIL A
STA 125+25.38 TO STA 125+62.62



EXISTING RAMP C
STA 113+17.15 TO STA 116+88.44



EXISTING RAMP C
STA 125+62.62 TO STA 127+90.44

DETAIL B
STA 125+62.62 TO STA 125+88.39

NOTES:

- EXISTING TOPSOIL SHALL BE STRIPPED FROM WITHIN PROPOSED CONSTRUCTION LIMITS. THE QUANTITY WAS BASED ON AN ASSUMED DEPTH OF 6".

FILE NAME = \\collinsengr.com\1\adate\1\Posanden\DDCS\Y2000 - 134.ct_0hvo.Street\CADD\CADD_SHEETS\0160F63-ht-tp2.dgn



USER NAME = rge11	DESIGNED -	REVISED -
PLOT SCALE = 10.0000' / 1"	DRAWN -	REVISED -
PLOT DATE = 3/25/2013	CHECKED -	REVISED -
	DATE -	REVISED -

**STATE OF ILLINOIS
DEPARTMENT OF TRANSPORTATION**

**RAMP C
EXISTING TYPICAL SECTIONS**

F.A.I. RTE. 90/94	SECTION 0303-474HB-R	COUNTY COOK	TOTAL SHEETS 368	SHEET NO. 24
CONTRACT NO. 60F63				
FED. ROAD DIST. NO. 1 ILLINOIS FED. AID PROJECT				