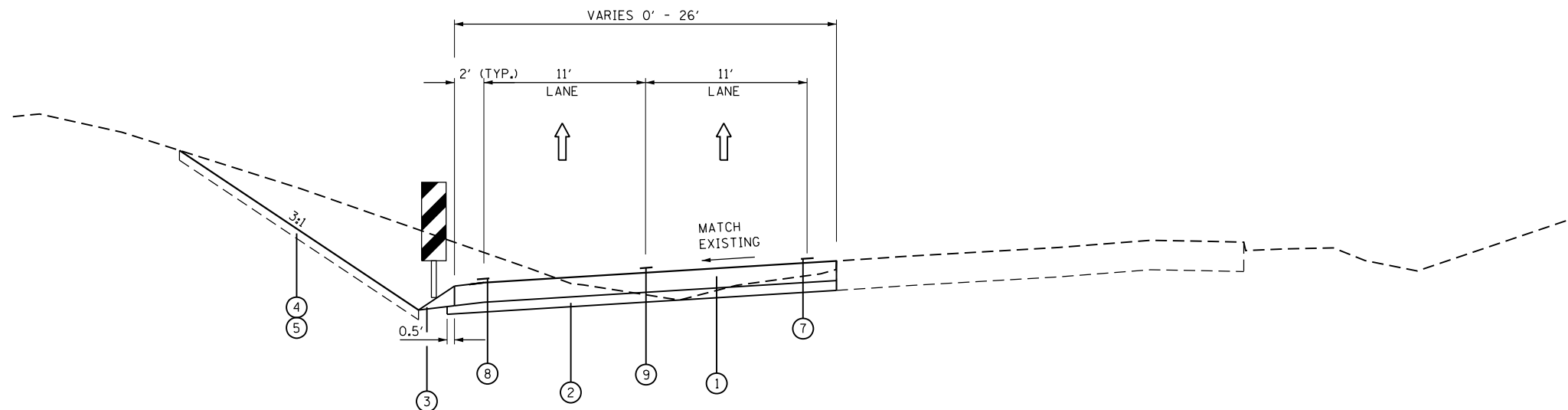


**MOT RUNAROUND - STAGE II SUBSTAGE A**

STA 102+50 TO STA 103+87

**PROPOSED LEGEND:**

- ① TEMPORARY PAVEMENT, 8"
- ② AGGREGATE SUBGRADE IMPROVEMENT, 4"
- ③ AGGREGATE SHOULDERS, TYPE B, 6"
- ④ TEMPORARY EROSION CONTROL SEEDING
- ⑤ TEMPORARY CONCRETE BARRIER
- ⑥ TEMPORARY CONCRETE BARRIER, RELOCATE
- ⑦ WET REFLECTIVE TEMPORARY TAPE TYPE III - LINE 4" WHITE
- ⑧ WET REFLECTIVE TEMPORARY TAPE TYPE III - LINE 4" YELLOW
- ⑨ WET REFLECTIVE TEMPORARY TAPE TYPE III - LINE 4" WHITE (2' DASH - 6' SKIP)
- ⑩ WET REFLECTIVE TEMPORARY TAPE TYPE III - LINE 8" WHITE
- ⑪ TEMPORARY SOIL RETENTION. SEE STRUCTURAL PLANS.



**MOT RUNAROUND - STAGE II SUBSTAGE A**

STA 103+87 TO STA 106+22

FILE NAME = I:\7000 - 194 at Ohio Street\CADD\CADD\_SHEETS\MOT\0160F63-ht-staging\_tlp-stg-temp-runaround.dgn



USER NAME = rge11	DESIGNED -	REVISED -
PLOT SCALE = 10.0000' / in.	DRAWN -	REVISED -
PLOT DATE = 3/25/2013	CHECKED -	REVISED -
	DATE -	REVISED -

**STATE OF ILLINOIS  
DEPARTMENT OF TRANSPORTATION**

**STAGING AND TRAFFIC CONTROL  
I-90/94 TEMPORARY RUNAROUND  
TYPICAL SECTIONS STAGE II**

SCALE: SHEET NO. OF SHEETS STA. TO STA.

F.A.I. RTE.	SECTION	COUNTY	TOTAL SHEETS	SHEET NO.
90/94	0303-474HB-R	COOK	368	83
CONTRACT NO. 60F63				
FED. ROAD DIST. NO. 1 ILLINOIS FED. AID PROJECT				