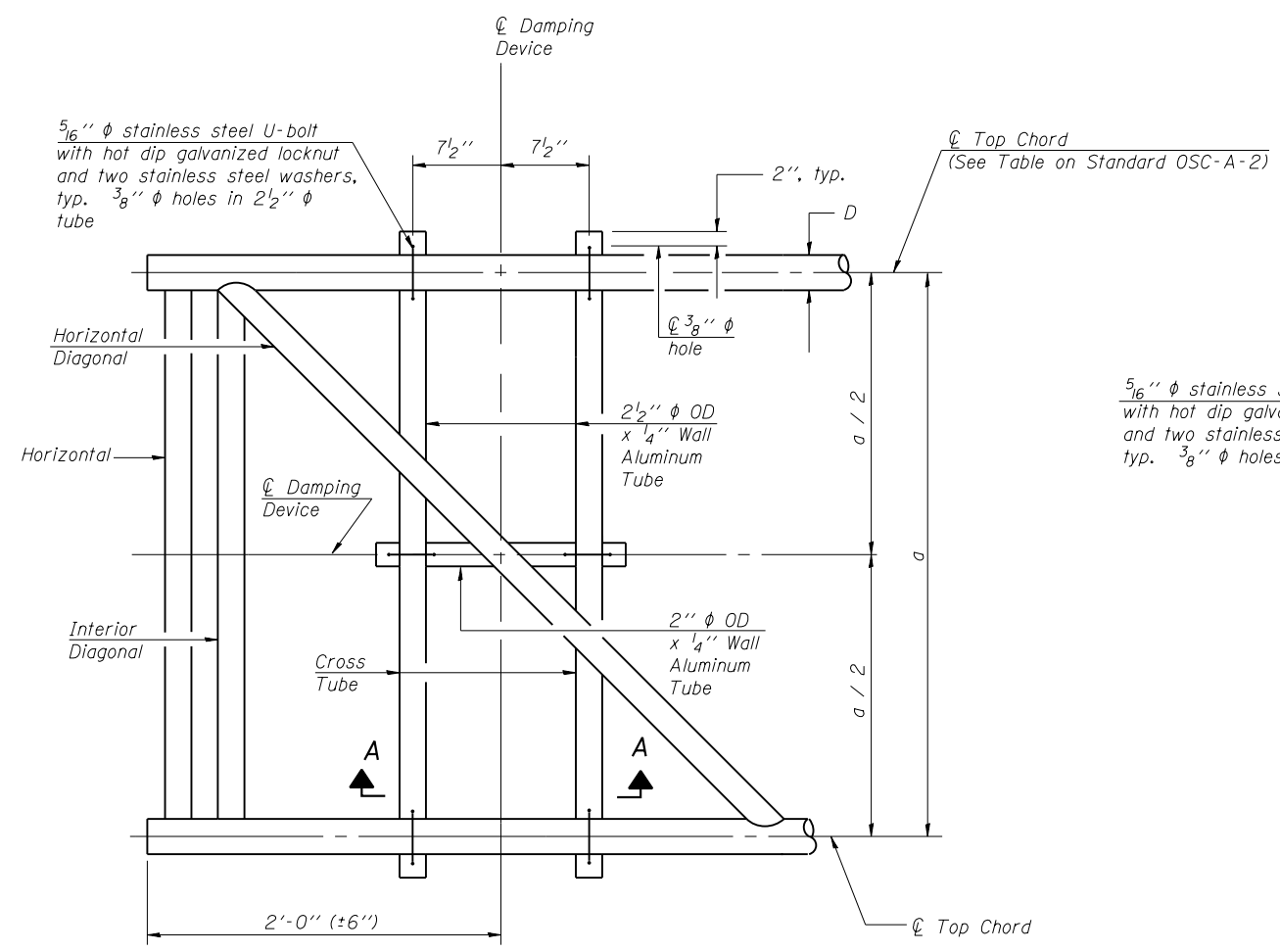
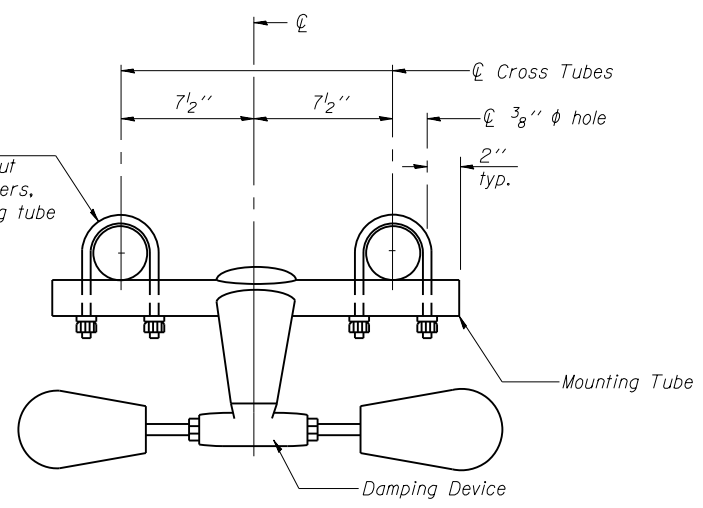


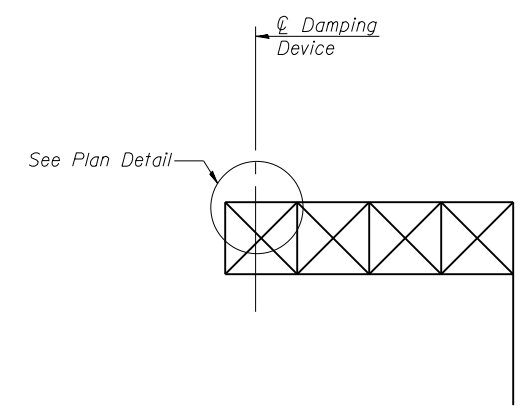
FILE NAME = \\collinsengr.com\1\adate\1\Posarden\1\0303\Y2000 - 194 at Ohio Street\CADD\Sign Structures\alum.cantilever-sign-7200.dgn



PLAN DETAIL



TRUSS DAMPING DEVICE CONNECTION DETAIL

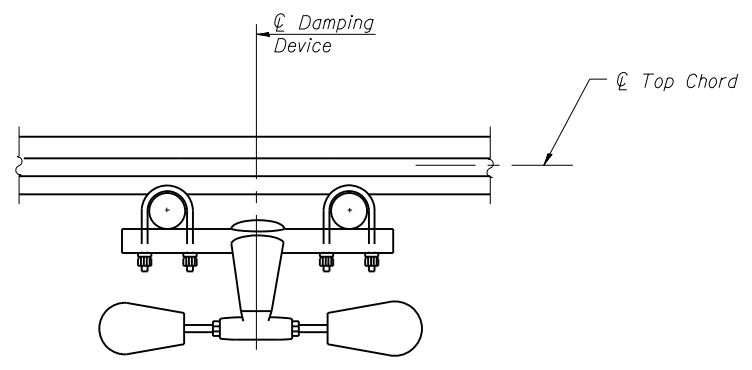


ELEVATION
Aluminum Cantilever Sign Structure

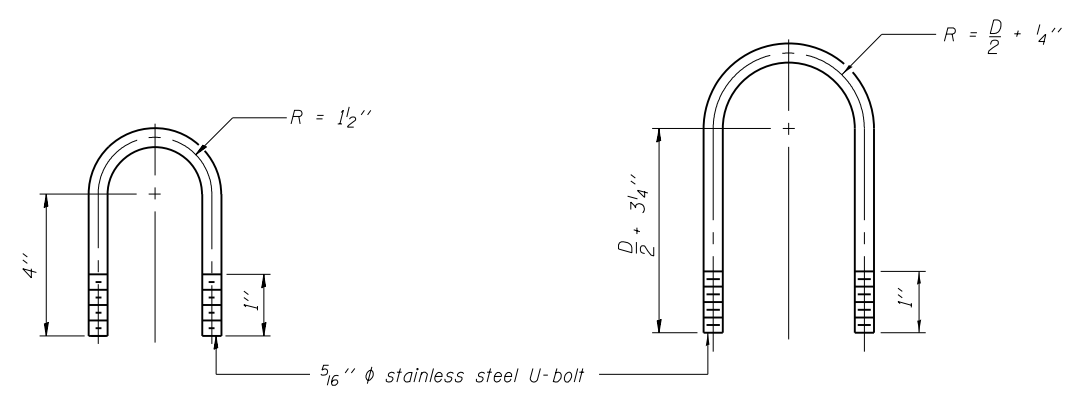
GENERAL NOTES

Damper: One damper per truss. (31 lbs. Stockbridge-Type Aluminum-29" minimum between ends of weights)

Materials: Aluminum tubes shall be ASTM B221 alloy 6061 temper T6



SECTION A-A



DAMPING DEVICE MOUNTING TUBE U-BOLT DETAIL
(Typical)

TOP CHORD TO CROSS TUBE U-BOLT DETAIL
(Typical)

OSC-A-D

6-1-12

COLLINS ENGINEERS

USER NAME = r9e11	DESIGNED -	REVISED -
PLOT SCALE = 0:2.0000 ' = 1"	DRAWN -	REVISED -
PLOT DATE = 3/25/2013	CHECKED -	REVISED -
	DATE -	REVISED -

DESIGNED -	REVISED -
DRAWN -	REVISED -
CHECKED -	REVISED -
DATE -	REVISED -

STATE OF ILLINOIS DEPARTMENT OF TRANSPORTATION

CANTILEVER SIGN STRUCTURE DAMPING DEVICE

SCALE:	SHEET NO.	OF SHEETS	STA.	TO STA.
--------	-----------	-----------	------	---------

F.A.I. RTE.	SECTION	COUNTY	TOTAL SHEETS	SHEET NO.
90/94	0303-474HB-R	COOK	368	157
CONTRACT NO. 60F63				
FED. ROAD DIST. NO. 1 ILLINOIS FED. AID PROJECT				