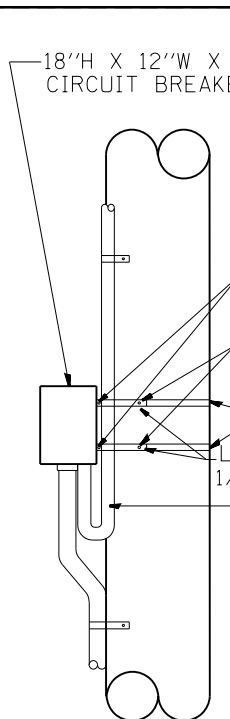
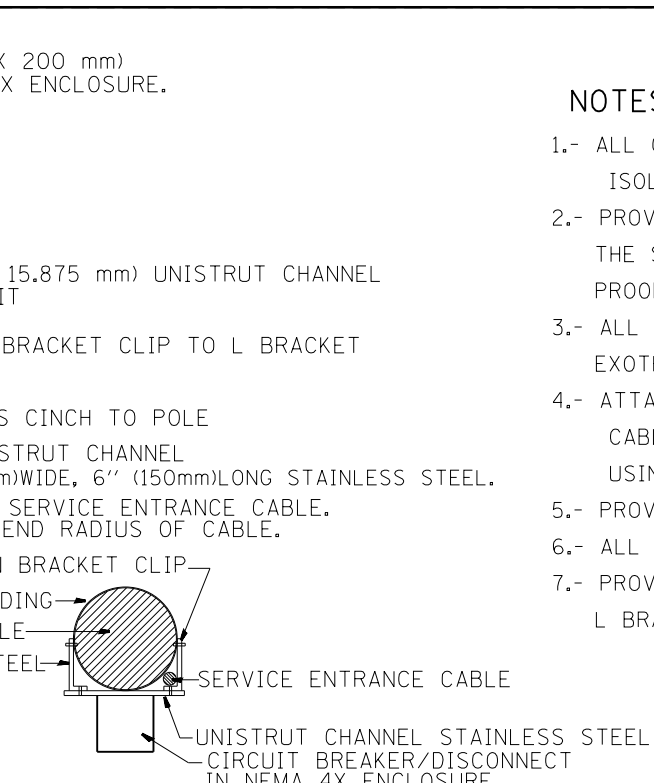


FRONT VIEW

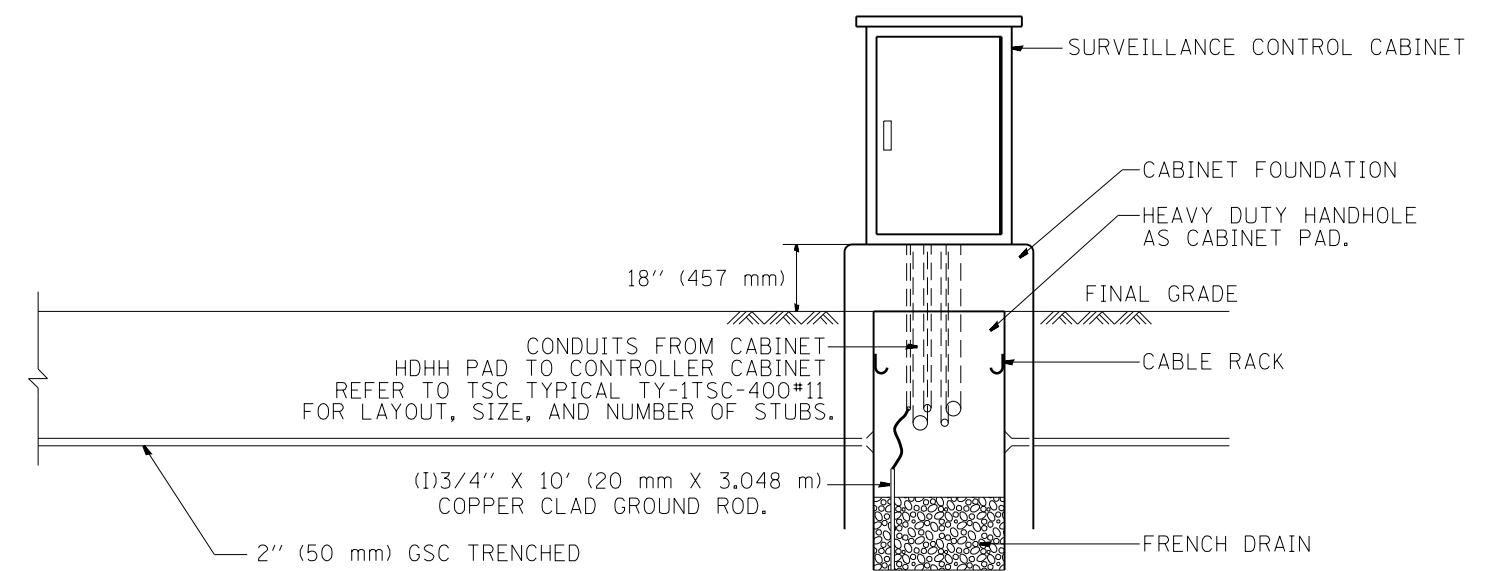
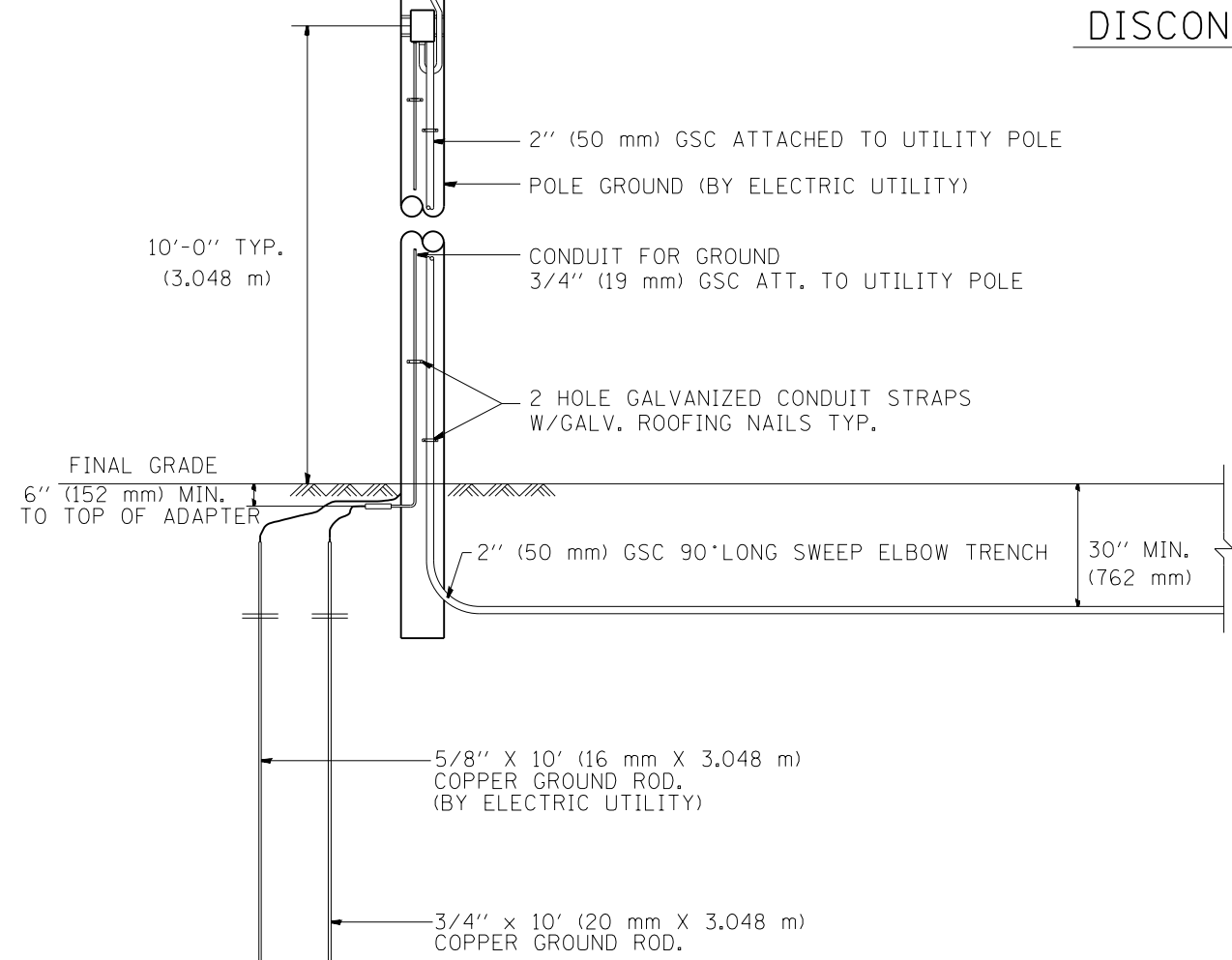


SIDE VIEW



TOP VIEW

NTS
DISCONNECT MOUNTING DETAIL



NOTES:

- 1.- ALL CONDUIT BUSHINGS SHALL HAVE AN ISOLATED THROAT.
- 2.- PROVIDE HEAT SHRINK BOOT AT THE TOP OF THE SERVICE ENTRANCE CABLE FOR MOISTURE PROOFING.
- 3.- ALL CONNECTIONS TO GROUND RODS SHALL BE EXOTHERMIC UNLESS OTHERWISE NOTED.
- 4.- ATTACH INCOMING ELECTRIC SERVICE CABLE TO UTILITY POLE EVERY 5 FEET USING INSULATED U-NAIL.
- 5.- PROVIDE CABLE RACK IN HANDHOLES.
- 6.- ALL CONDUCTORS SHALL BE COPPER.
- 7.- PROVIDE STAINLESS STEEL HARDWARE TO ATTACH L BRACKETS TO UNISTRUT AND TO SIGN HANGER.

FILE NAME =	USER NAME = mezag	DESIGNED - R.L.	REVISED -
ct:\pw\work\pilot\mezag\d0287541\TSC.TYP.dgn		DRAWN - G.M.	REVISED -
PLOT SCALE = 100.0000' / 1in.		CHECKED - R.L.	REVISED -
PLOT DATE = 7/26/2012		DATE - 03/30/99	REVISED -

STATE OF ILLINOIS
DEPARTMENT OF TRANSPORTATION
TRAFFIC SYSTEMS CENTER

POLE MOUNTED DISCONNECT MOUNTING DETAILS			
SCALE: NONE	SHEET NO. OF SHEETS	STA. TO STA.	

F.A. RTÉ. 90/94	SECTION 0303-474HB-R	COUNTY COOK	TOTAL SHEETS 368	SHEET NO. 182
CONTRACT NO. 60F63				
FED. ROAD DIST. NO. ILLINOIS FED. AID PROJECT				