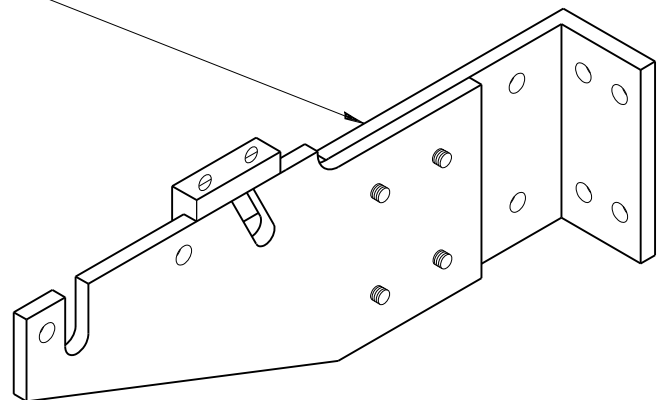
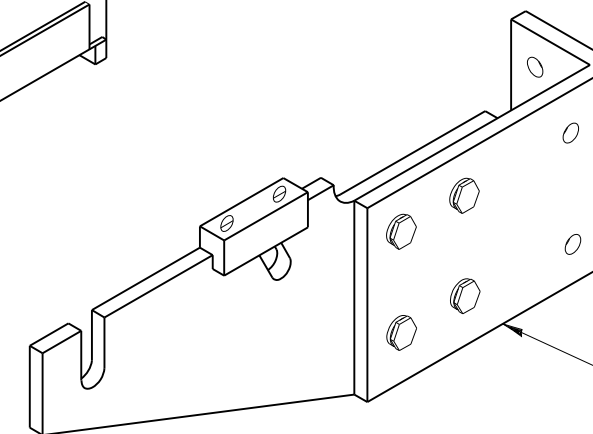
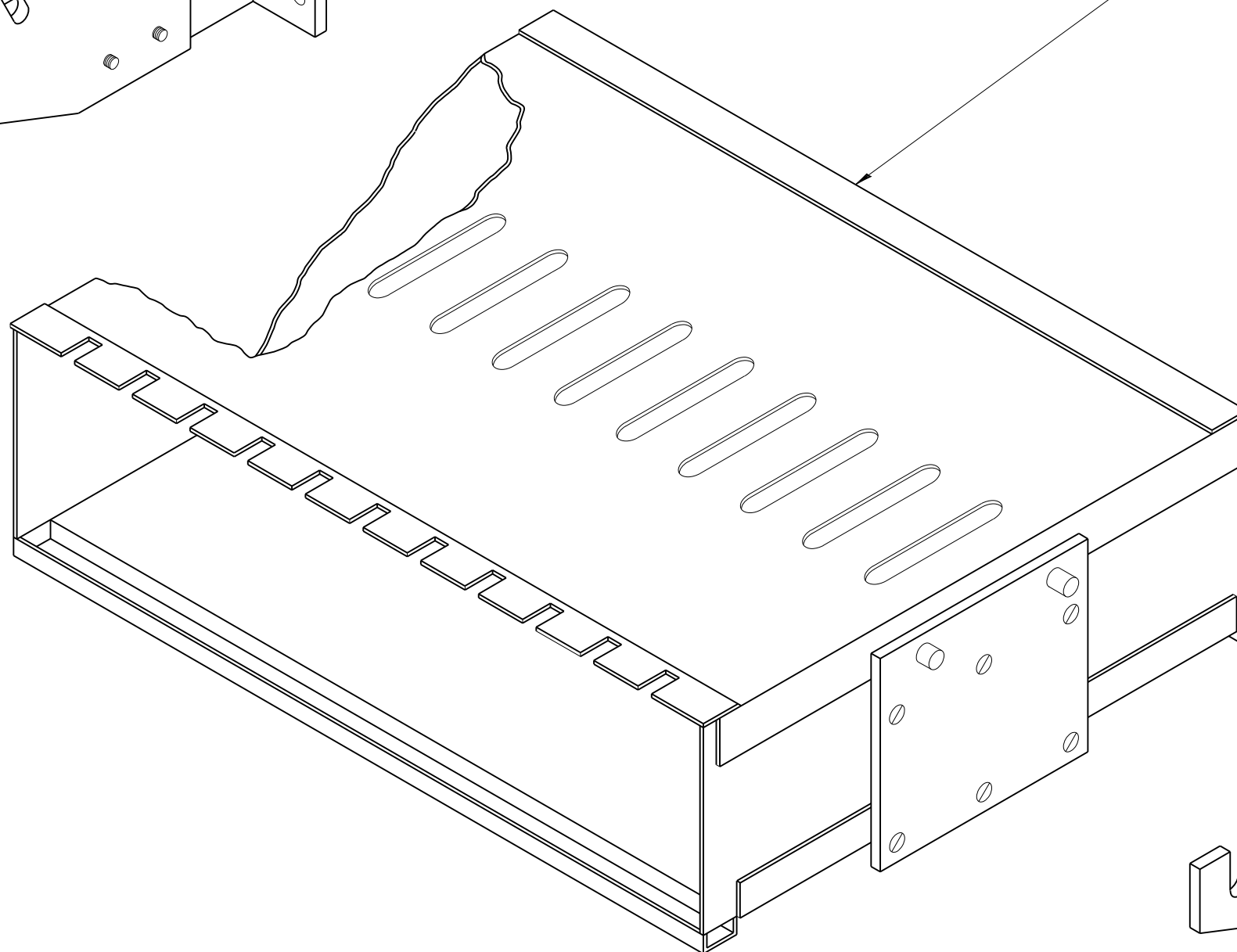


CRADLE



II MODULE MOUNTING FRAME
(FOR II TYPE "A" PLUG-IN TYPE TONE MODULES)



CRADLE

NOTE:

TYPE "A" TONE MODULES ARE PLUG
IN UNIT MEASURING 5-7/32" (132.55 mm) X 1.5" (38.1 mm) X 13-3/4" (349.25 mm)

| | | | |
|---|-------------------------------|-----------------|-----------------|
| FILE NAME = | USER NAME = mezag | DESIGNED - R.L. | REVISED - 06/94 |
| et:\pw\work\p1dot\mezag\d0287541\TSCTYP.dgn | | DRAWN - G.M. | REVISED - 09/96 |
| | PLOT SCALE = 100.0000' / 1in. | CHECKED - R.L. | REVISED - |
| | PLOT DATE = 7/26/2012 | DATE - 06/21/94 | REVISED - |

STATE OF ILLINOIS
DEPARTMENT OF TRANSPORTATION
TRAFFIC SYSTEMS CENTER

FIELD MOUNTING FRAME
WITH CRADLE ASSEMBLY

SCALE: NONE SHEET NO. OF SHEETS STA. TO STA.

| F.A. RTE. | SECTION | COUNTY | TOTAL SHEETS | SHEET NO. |
|---|--------------|--------|--------------------|-----------|
| 90/94 | 0303-474HB-R | COOK | 368 | 187 |
| FED. ROAD DIST. NO. ILLINOIS FED. AID PROJECT | | | CONTRACT NO. 60F63 | |