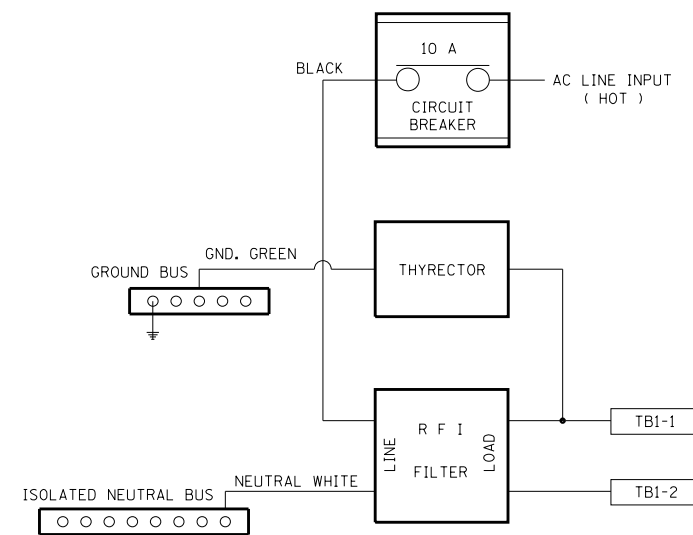
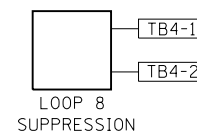
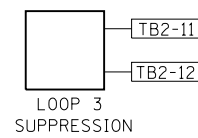
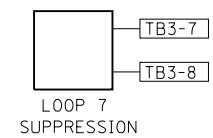
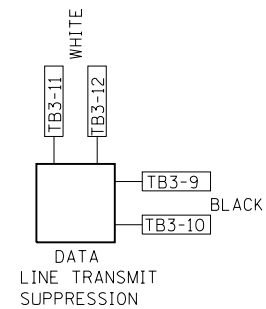
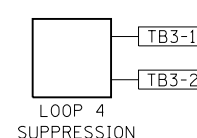
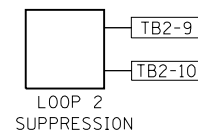
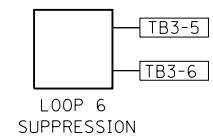
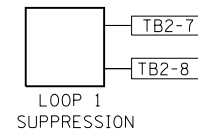
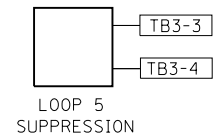
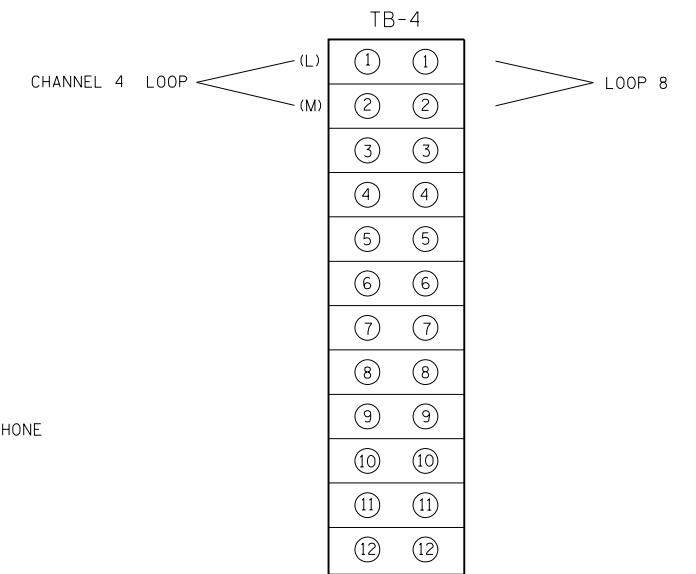
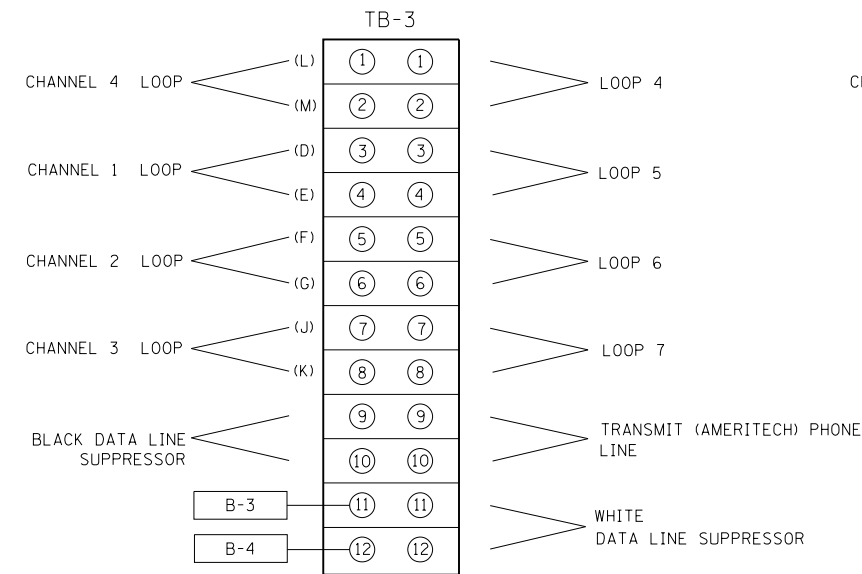
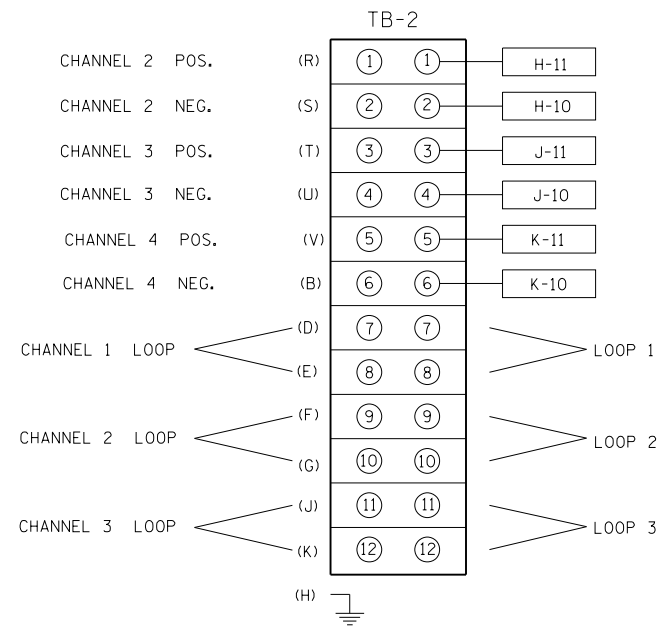
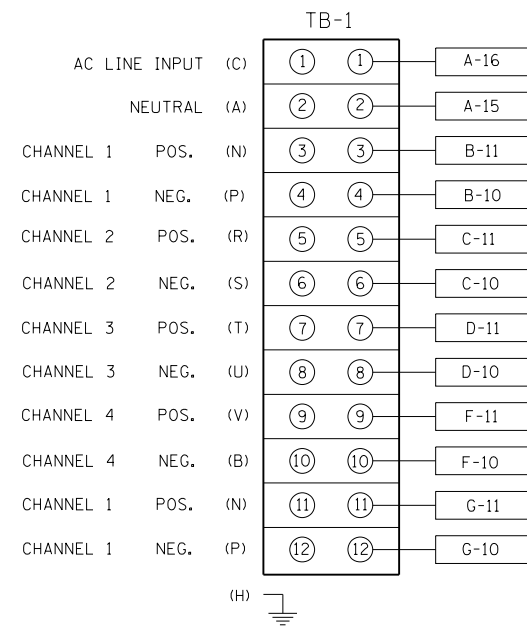
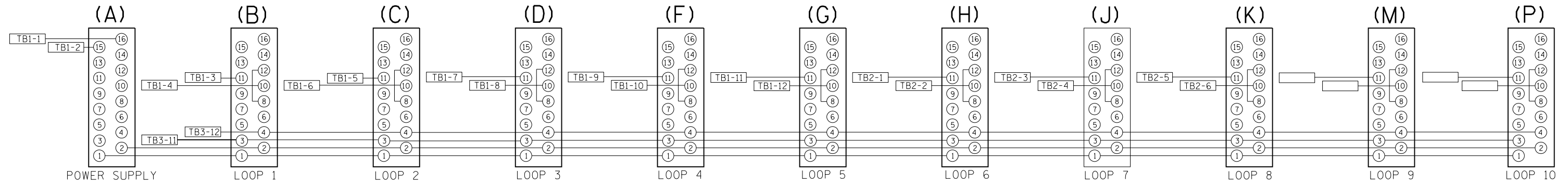


# BACK VIEW OF TONE RACK



FILE NAME =	USER NAME = mezag	DESIGNED - R.L.	REVISED - 02-98	<b>STATE OF ILLINOIS DEPARTMENT OF TRANSPORTATION TRAFFIC SYSTEMS CENTER</b>	<b>TYPE 3 CABINET WIRING DIAGRAM</b>			F.A. RTÉ.	SECTION	COUNTY	TOTAL SHEETS	SHEET NO.
ca:\pw\work\pidot\mezag\d0287541\TSCTYP.dgn	DRAWN - G.M.	REVISED - 05-99	90/94					0303-474HB-R	COOK	368	189	
PLOT SCALE = 100.0000' / in.	CHECKED - R.L.	REVISED -	CONTRACT NO. 60F63									
PLOT DATE = 7/26/2012	DATE - 10-17-95	REVISED -	FED. ROAD DIST. NO. ILLINOIS FED. AID PROJECT									
				SCALE: NONE	SHEET NO.	OF SHEETS	STA.	TO STA.				