

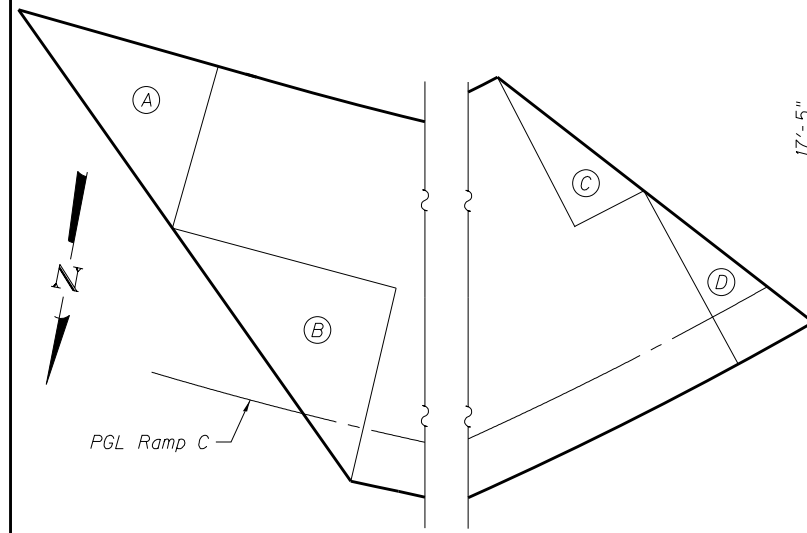
**SUPERSTRUCTURE
BILL OF MATERIAL**

Bar	No.	Size	Length	Shape
a(E)	495	#5	20'-1"	—
a1(E)	525	#5	16'-5"	—
a2(E)	1050	#6	6'-6"	—
a3(E)	13	#5	17'-5"	—
a4(E)	14	#5	20'-9"	—
a5(E)	4	#5	18'-3"	—
a6(E)	5	#5	20'-5"	—
a7(E)	19	#5	16'-0"	—
a8(E)	19	#5	21'-4"	—
a9(E)	6	#5	19'-0"	—
a10(E)	7	#5	20'-7"	—
a11(E)	4	#6	31'-0"	—
a12(E)	4	#6	25'-3"	—
a13(E)	4	#5	22'-0"	—
a14(E)	4	#5	17'-11"	—
a15(E)	15	#6	9'-2"	—
a16(E)	15	#5	6'-8"	—
a17(E)	3	#6	3'-8"	—
a18(E)	3	#6	4'-4"	—
a19(E)	3	#5	2'-6"	—
a20(E)	3	#5	3'-0"	—
a21(E)	8	#5	2'-0"	—
a22(E)	910	#5	1'-2"	—
a23(E)	8	#6	1'-10"	—
a24(E)	346	#5	19'-9"	—
a25(E)	367	#5	16'-1"	—
a26(E)	1	#6	27'-1"	—
a27(E)	1	#6	19'-9"	—
a28(E)	1	#5	19'-2"	—
a29(E)	1	#5	14'-1"	—

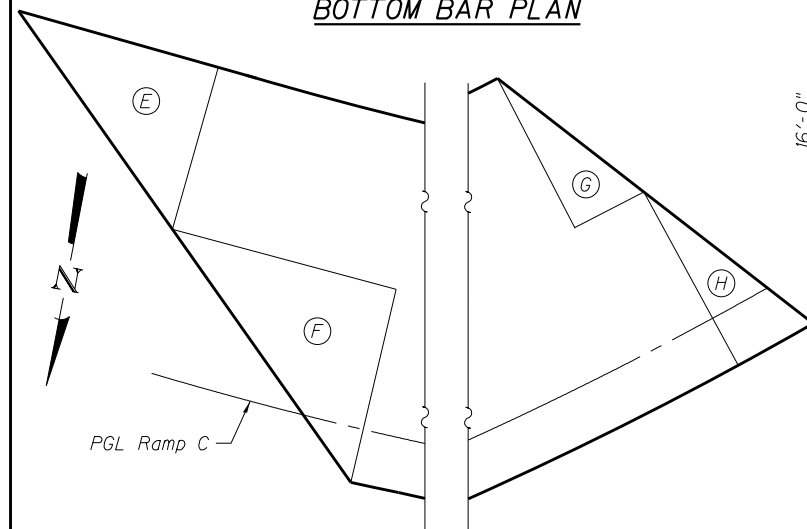
**SUPERSTRUCTURE BILL
OF MATERIAL CONTINUED**

Bar	No.	Size	Length	Shape
b(E)	336	#5	40'-10"	—
b1(E)	37	#6	43'-4"	—
b2(E)	111	#6	37'-1"	—
b3(E)	37	#6	26'-3"	—
b4(E)	288	#5	36'-8"	—
d(E)	670	#5	6'-10"	—
d1(E)	333	#5	7'-1"	—
d2(E)	337	#5	8'-1"	—
e(E)	14	#4	17'-11"	—
e1(E)	35	#4	18'-8"	—
e2(E)	86	#4	17'-8"	—
e3(E)	16	#4	10'-5"	—
e4(E)	16	#4	16'-9"	—
e5(E)	16	#4	9'-2"	—
e6(E)	14	#4	14'-11"	—
e7(E)	35	#4	15'-9"	—
e8(E)	7	#4	14'-3"	—
e9(E)	14	#4	17'-4"	—
e10(E)	7	#4	18'-2"	—
e11(E)	3	#8	41'-3"	—
e12(E)	2	#8	17'-8"	—
e13(E)	1	#8	30'-2"	—
e14(E)	2	#8	10'-5"	—
e15(E)	3	#8	36'-5"	—
e16(E)	3	#8	44'-4"	—
e17(E)	2	#8	16'-9"	—
e18(E)	1	#8	35'-0"	—
e19(E)	2	#8	9'-2"	—
e20(E)	3	#8	33'-8"	—
e21(E)	4	#4	29'-10"	—
e22(E)	1	#4	30'-2"	—
e23(E)	4	#4	26'-3"	—
e24(E)	4	#4	32'-2"	—
e25(E)	1	#4	35'-0"	—
e26(E)	4	#4	24'-2"	—
x(E)	31	#5	7'-4"	—
x1(E)	33	#5	4'-1"	—
x2(E)	31	#5	6'-6"	—
Bridge Deck Grooving	Sq. Yd.	1102		
Protective Coat	Sq. Yd.	1854		
Concrete Superstructure	Cu. Yd.	420.2		
Reinforcement Bars, Epoxy Coated	Pound	97,740		

* Extends 6" into closure pour.
** Extends 8" into closure pour.

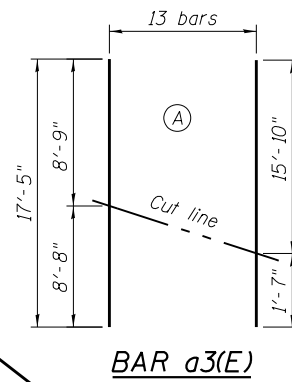


BOTTOM BAR PLAN

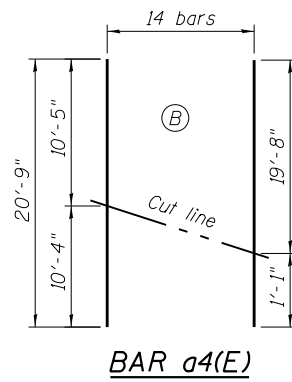


TOP BAR PLAN

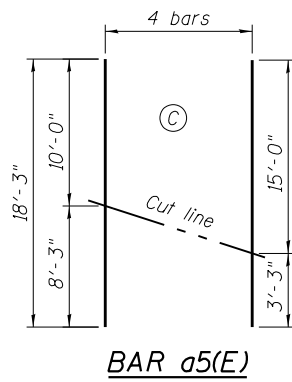
BRIDGE CUT BAR LOCATION PLAN



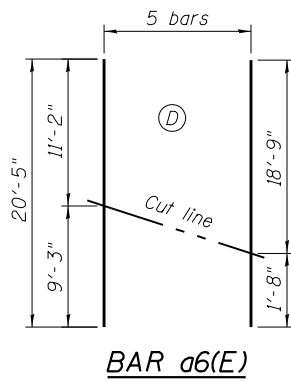
BAR a3(E)



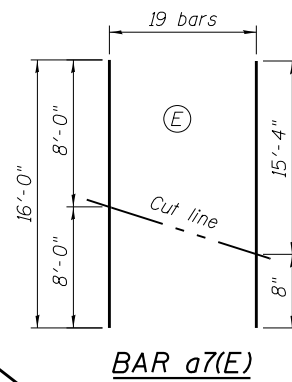
BAR a4(E)



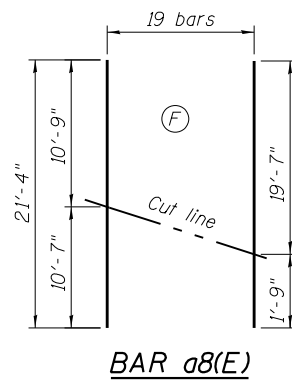
BAR a5(E)



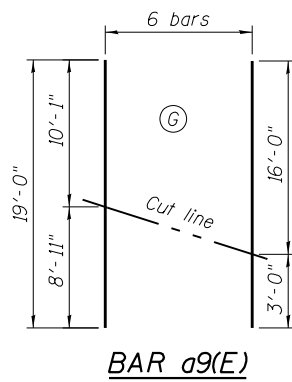
BAR a6(E)



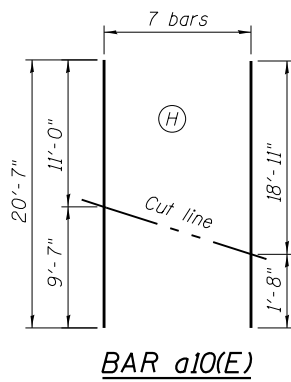
BAR a7(E)



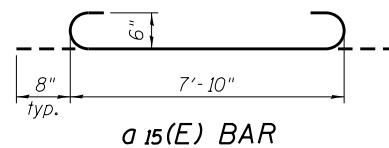
BAR a8(E)



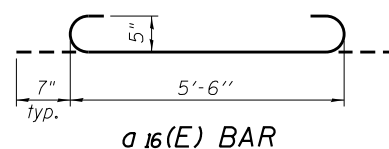
BAR a9(E)



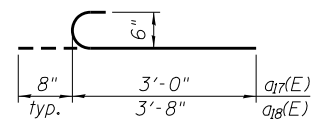
BAR a10(E)



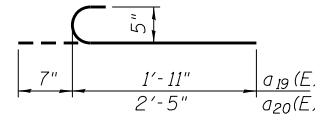
a15(E) BAR



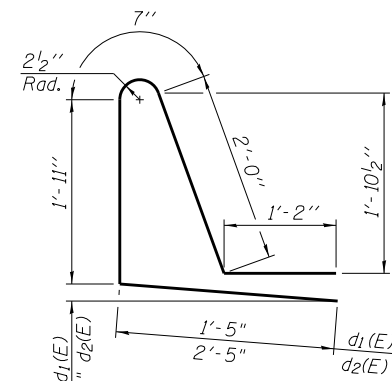
a16(E) BAR



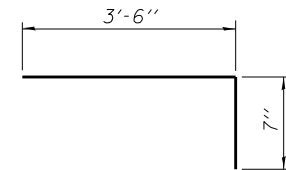
a17(E) & a18(E) BARS



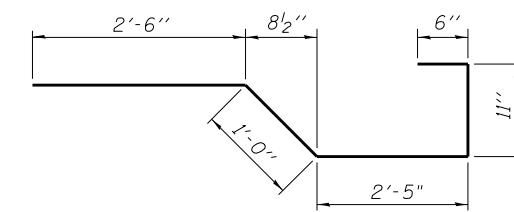
a19(E) & a20(E) BARS



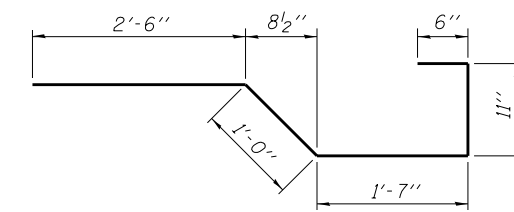
BARS d1(E) & d2(E)



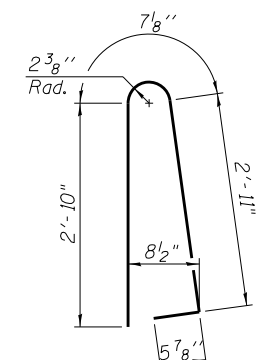
BAR x1(E)



BAR x(E)



BAR x2(E)



BAR d(E)