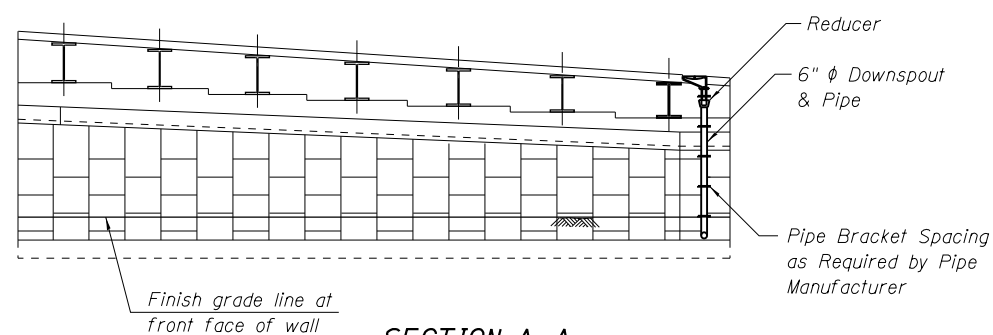
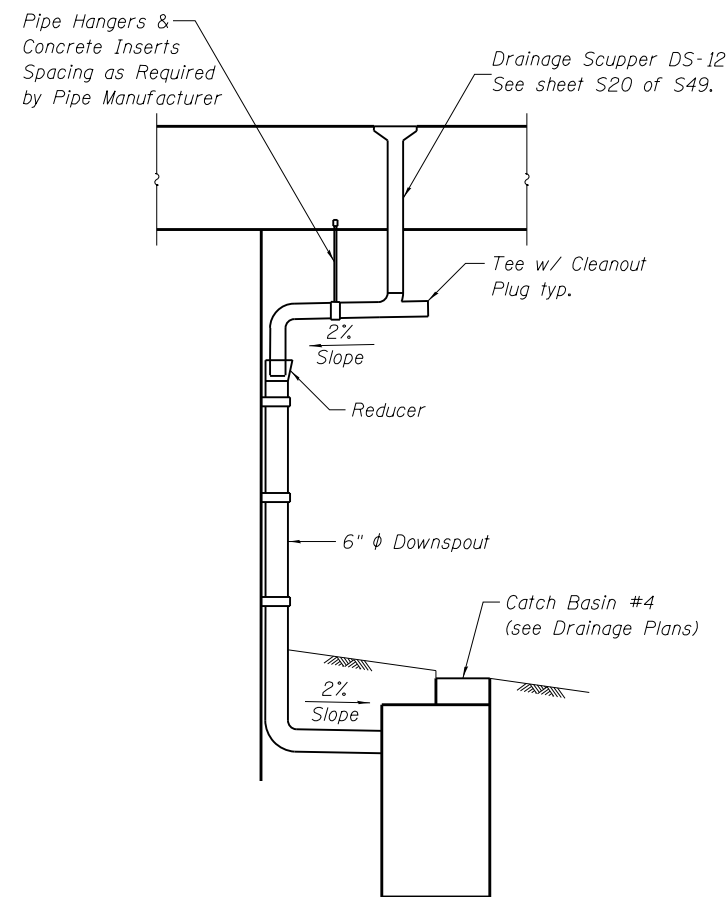


**PLAN**



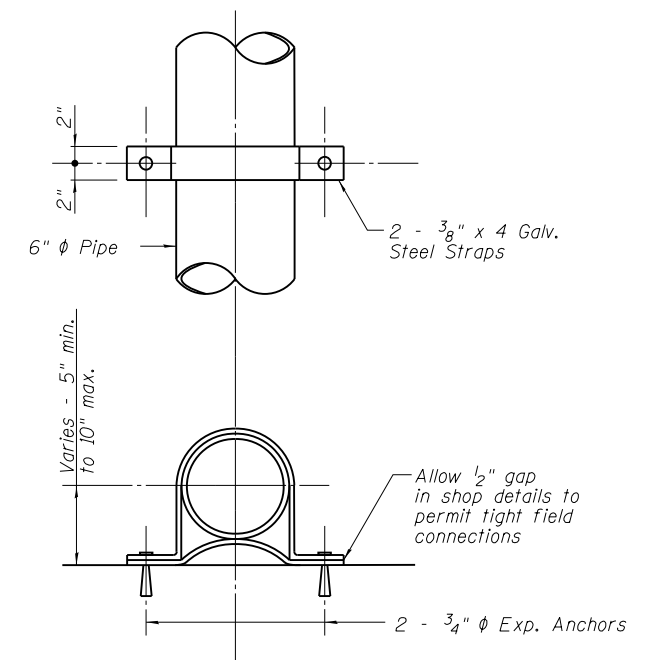
**SECTION A-A**



**SECTION B-B**

**Notes:**

All drain pipes and fittings shall be reinforced fiberglass conforming to the requirements of ASTM D 2996, with short time rupture strength hoop tensile stress of 200 MPa minimum.  
 All pipe hangers, supports and hardware shall be galvanized by the Hot-Dip process. The zinc coating shall conform to requirements of AASHTO M232.  
 Pipe brackets shall be provided on all horizontal pipes at each tee, elbow or change in direction and at spacings required by the pipe manufacturer. There shall be a minimum of three brackets per abutment.  
 The surface of the fiberglass pipe shall be free of bond inhibiting agents.



**PIPE BRACKET DETAIL**  
(To M.S.E. Wall)

ITEM	UNIT	QUANTITY
Drainage System	L Sum	0.5

See SNO16-1323 plans for remainder of Drainage System quantity.

USER NAME =	DESIGNED - MAH	REVISED
	CHECKED - LDB	REVISED
PLOT SCALE =	DRAWN - DR	REVISED
PLOT DATE =	CHECKED - JMH	REVISED

F.A.P. RTE.	SECTION	COUNTY	TOTAL SHEETS	SHEET NO.
0383	0303-474HB-R	COOK	368	211
CONTRACT NO. 60F63			ILLINOIS FED. AID PROJECT	