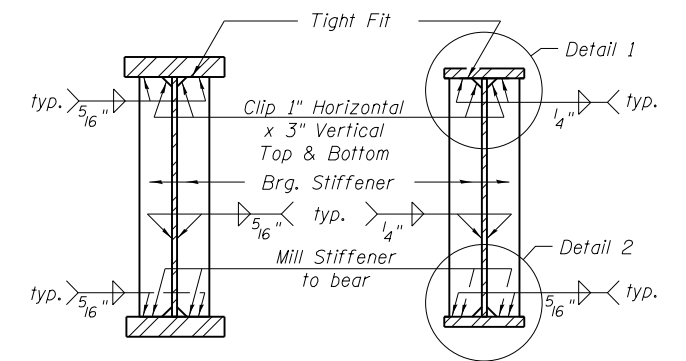
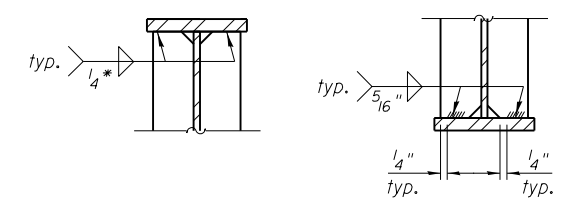


GIRDER ELEVATION
 "NTR" denotes plates to which notch toughness requirements are applicable.

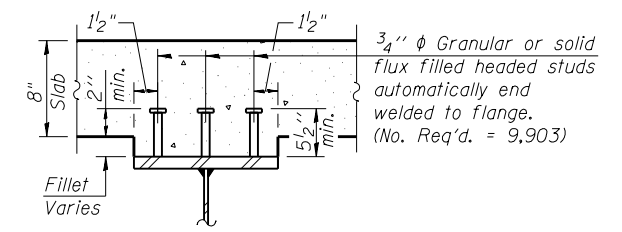


SECTION AT PIER **SECTION AT ABUTMENT**

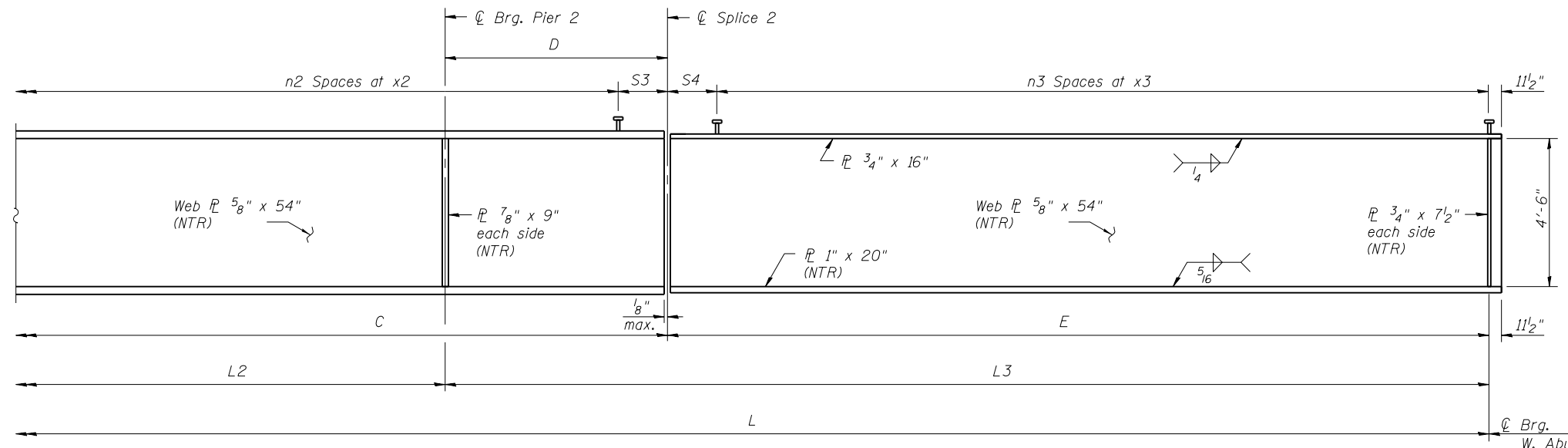


DETAIL 1 **DETAIL 2**

* or 5/16" (between Splice 1 & 2)



SECTION A-A



GIRDER ELEVATION
 "NTR" denotes plates to which notch toughness requirements are applicable.

SHEAR CONNECTOR SPACING

GIRDER	n1	x1 (in.)	S1 (ft.)	S2 (ft.)	n2	x2 (in.)	S3 (ft.)	S4 (ft.)	n3	x3 (in.)
1	190	6	1.920	1.870	218	7	1.870	1.935	136	6
2	160	7	1.926	1.950	169	9	1.950	1.862	119	7
3	157	7	2.166	1.880	152	10	1.880	2.036	121	7
4	166	7	1.844	1.964	144	10	1.964	2.208	123	7
5	162	7	1.813	2.010	145	10	2.010	1.802	126	7
6	166	7	1.771	1.901	162	9	1.901	2.010	121	7
7	189	6	2.219	1.854	208	7	1.854	1.875	146	6

GIRDER DIMENSIONS

GIRDER	RADIUS	L	L1	L2	L3	A	B	C	D	E
1	365'-0"	297'-9 9/8"	136'-10 1/4"	61'-9 3/4"	99'-1 1/2"	96'-11 9/8"	39'-11 1/8"	130'-11 1/8"	29'-2 1/4"	69'-11 1/4"
2	370'-4"	297'-2 1/4"	135'-3 3/8"	61'-4 1/8"	100'-6 7/8"	95'-3 1/8"	40'-0 1/4"	130'-7 7/8"	29'-3 1/2"	71'-3 3/8"
3	375'-8"	296'-9 1/2"	133'-10 1/2"	60'-10 7/8"	102'-0 1/4"	93'-9"	40'-1 1/2"	130'-5 1/4"	29'-4 7/8"	72'-7 1/2"
4	381'-0"	296'-6 3/4"	132'-7 1/4"	60'-5 7/8"	103'-5 5/8"	98'-8 1/8"	33'-11 1/8"	123'-11 1/8"	29'-6 1/2"	73'-11 1/2"
5	386'-4"	296'-5 5/8"	131'-5 1/2"	60'-1 1/8"	104'-11"	96'-3 3/4"	35'-1 7/8"	124'-10 1/2"	29'-7 1/2"	75'-3 5/8"
6	391'-8"	296'-6"	130'-5 1/8"	59'-8 1/2"	106'-4 3/8"	98'-7 1/4"	31'-9 7/8"	125'-3 5/8"	33'-9 1/4"	72'-7 1/8"
7	397'-0"	296'-7 5/8"	129'-5 7/8"	59'-4"	107'-9 3/4"	96'-8 5/8"	32'-9 1/4"	125'-0 5/8"	32'-11 3/8"	74'-10 1/2"

Notes:
 All structural steel shall be AASHTO M270 Grade 50.
 All splice plates shall comply with NTR.
 All bearing stiffeners, connection plates and gusset plates shall comply with NTR.
 Load carrying components designated "NTR" shall conform to the Impact Testing Requirement, Zone 2.