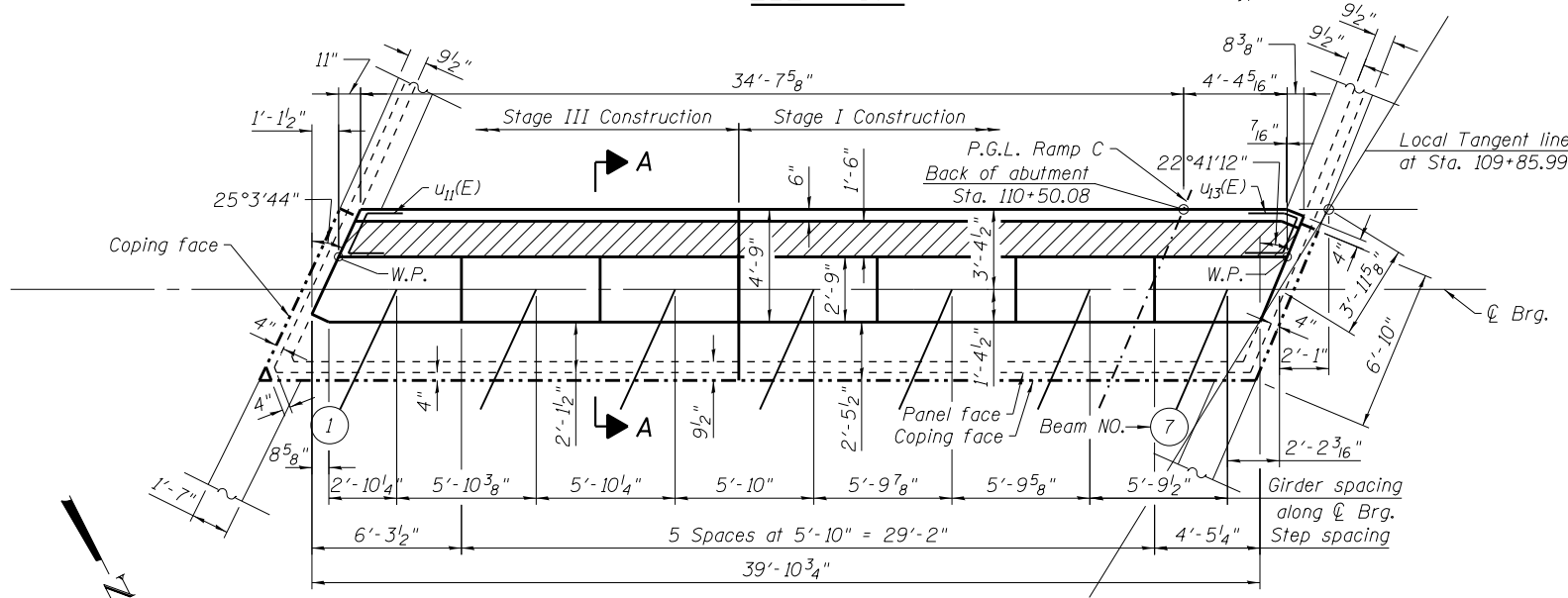


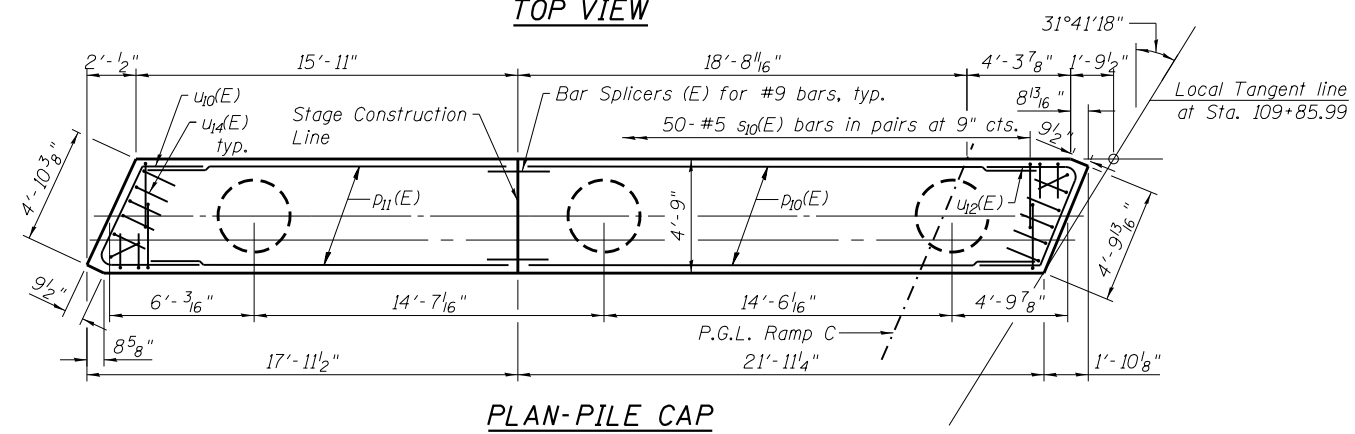
- * Cut h(E) and p(E) bars to fit into bar splicers.
- ** The casing thickness shall be 1/2\"/>



MINIMUM BAR LAP
(Abutment)

(E) bars	Other bars
#5 bar = 3'-3"	#10 bar = 7'-3"
#6 bar = 3'-10"	
#7 bar = 5'-2"	
#8 bar = 6'-9"	
Min. Lap for Spirals = 2'-6"	

Notes:
 For Anchor Bolt and Bearing Plate locations, see sheets S29 thru S31 of S49.
 For Section A-A and Section Thru Abutment, see sheet S36 of S49.
 See sheet S43 of S49 for Bar Splicer Details.
 Concrete sealer to be applied to front face, ends, and bearing seats of abutment cap and front face of backwall.



USER NAME =	DESIGNED - MAH	REVISED
	CHECKED - LDB	REVISED
PLOT SCALE =	DRAWN - DR	REVISED
PLOT DATE =	CHECKED - JMH	REVISED

F.A.P. RTE.	SECTION	COUNTY	TOTAL SHEETS	SHEET NO.
0383	0303-474HB-R	COOK	368	227
CONTRACT NO. 60F63				
ILLINOIS FED. AID PROJECT				