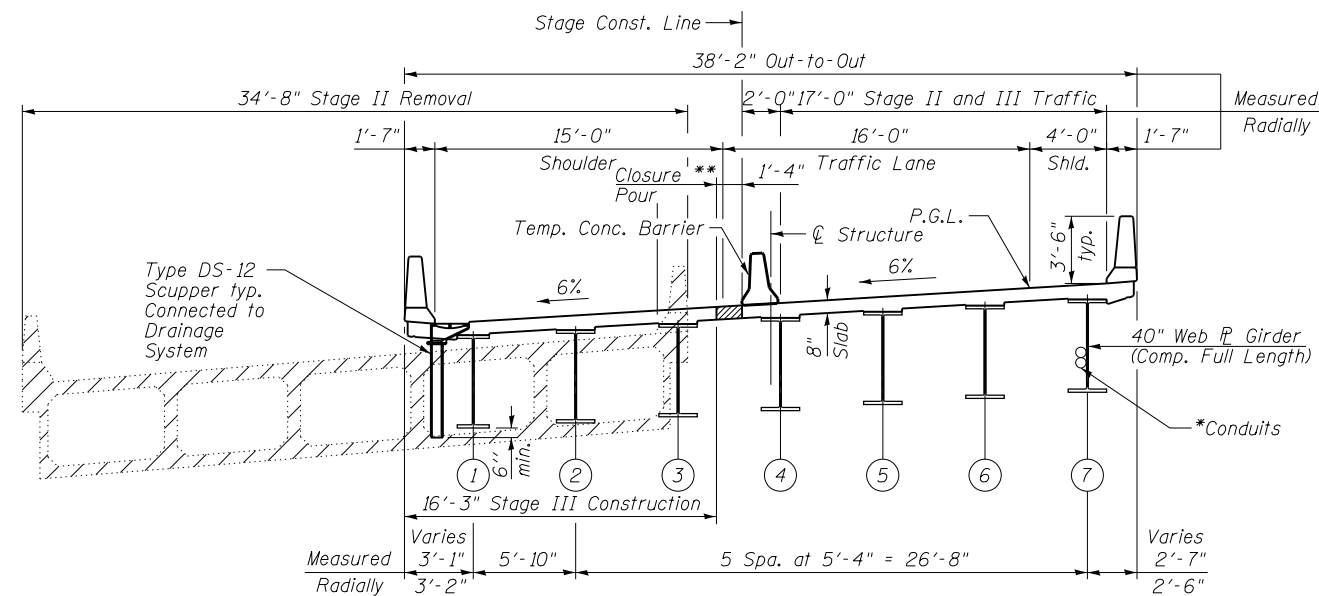
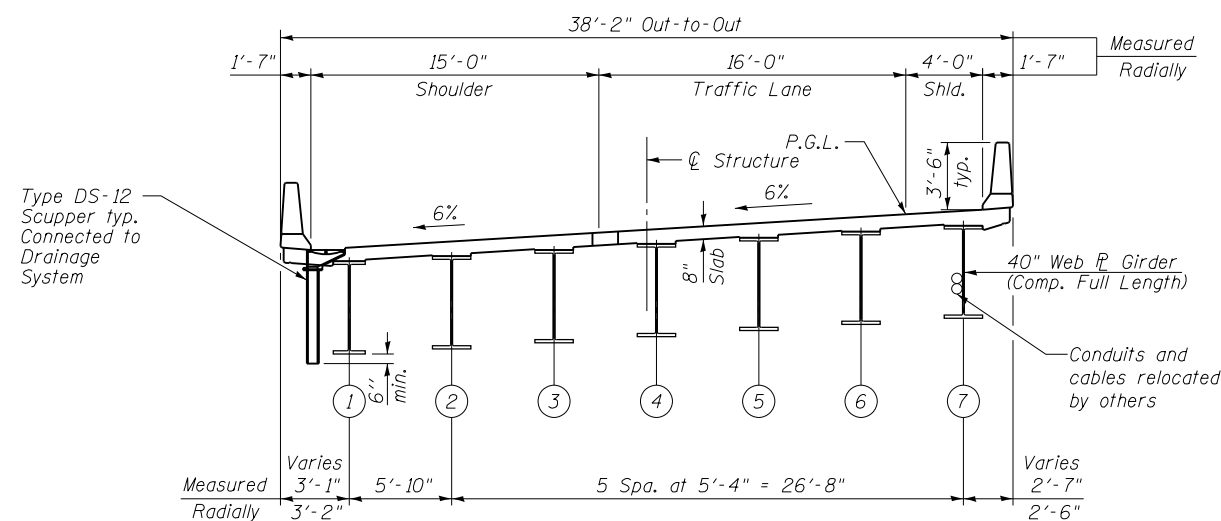


TYPICAL CROSS SECTION - STAGE I
(Looking West)



TYPICAL CROSS SECTION - STAGE II AND III
(Looking West)



TYPICAL CROSS SECTION - FINAL
(Looking West)

* Existing Conduits presumed to be empty and shall be removed. Contractor to verify prior to removal by opening these ducts first to confirm. If the ducts are not empty, they shall be protected, temporarily supported and/or relocated and mounted to the new structures. This work shall be included in the pay item for Removal of Existing Structures, Special.

** Closure pour to be completed following Stage III deck pour to account for differential deflections of Stage I and Stage III structures.

Notes:
See sheet SR16 of SR41 for Drainage System Details.
See SN. 016-1322 plans for Removal of Existing Structure Details.
Stage construction line of individual substructure units vary with respect to deck and approach stage construction line.
Refer to roadway plans for quantity of Temporary Concrete Barriers.

USER NAME =	DESIGNED - AMS	REVISED
	CHECKED - LDB	REVISED
PLOT SCALE =	DRAWN - DR	REVISED
PLOT DATE =	CHECKED - JMH	REVISED

F.A.P. RTE.	SECTION	COUNTY	TOTAL SHEETS	SHEET NO.
0383	0303-474HB-R	COOK	368	245
CONTRACT NO. 60F63				
ILLINOIS FED. AID PROJECT				