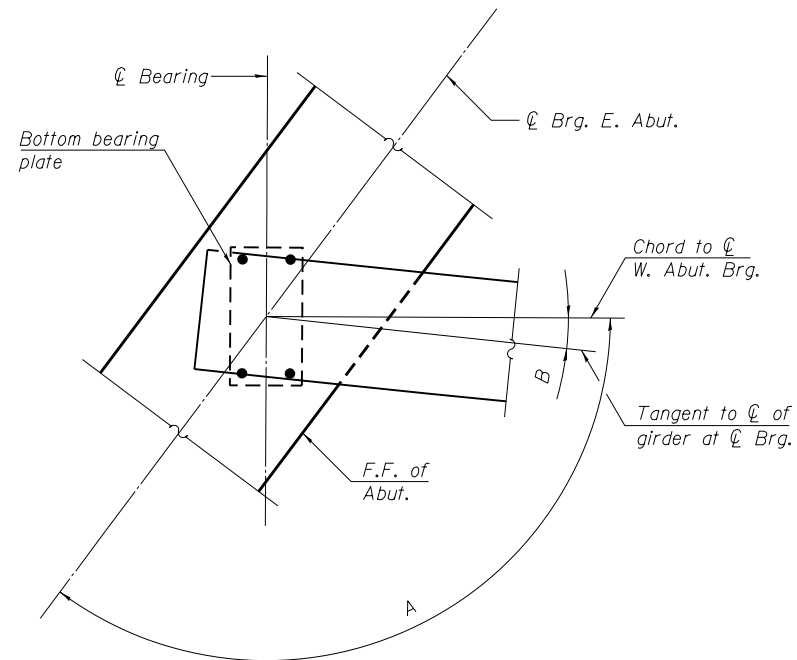
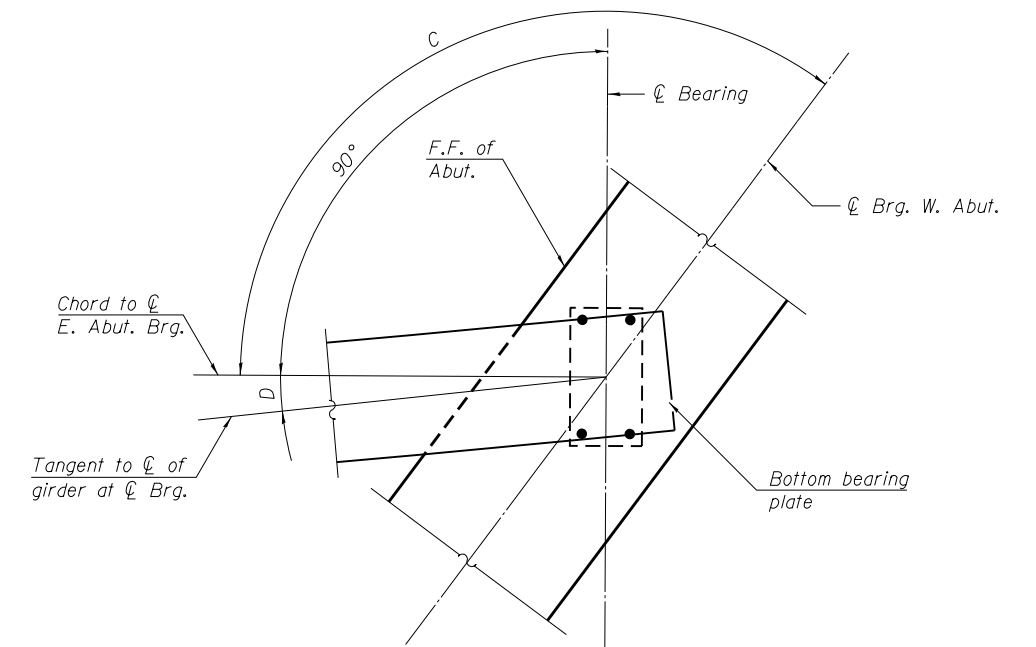


PLAN



AT EAST ABUTMENT



AT WEST ABUTMENT

LAYOUT ANGLES

GIRDER	EAST ABUTMENT		WEST ABUTMENT	
	A	B	C	D
1	130.52°	6.72°	130.52°	7.91°
2	129.73°	6.54°	129.73°	7.58°
3	129.05°	6.38°	129.05°	7.30°
4	128.38°	6.23°	128.39°	7.03°
5	127.75°	6.09°	127.75°	6.78°
6	127.14°	5.96°	127.14°	6.54°
7	126.55°	5.84°	126.55°	6.32°

Notes:
 For Bearing Details see sheets SR25 & SR26 of SR41.
 Coordinate Anchor Bolt locations with abutment reinforcement plans.