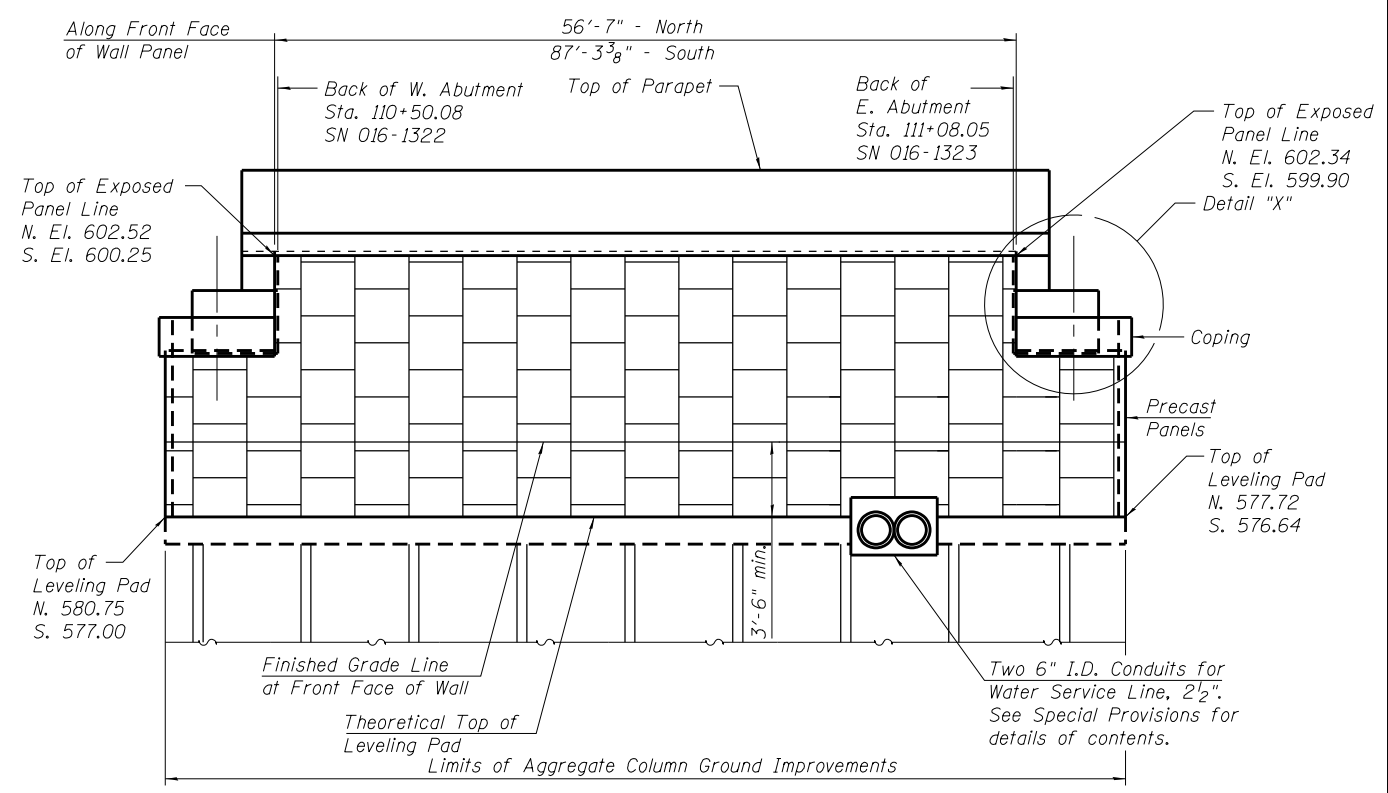


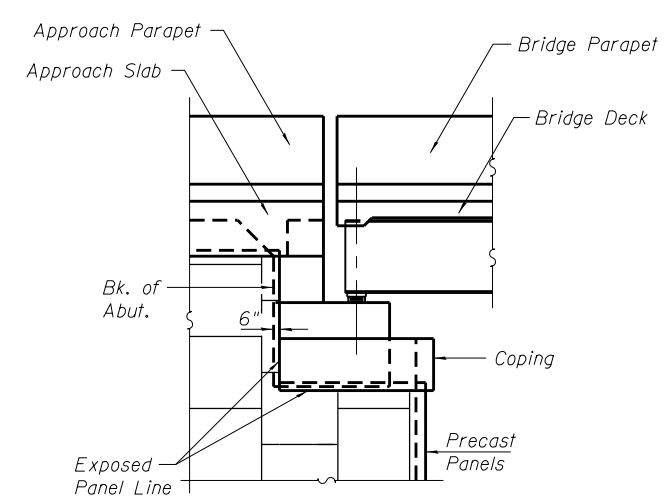
PLAN

Temporary MSE Wall Required for Stage Construction shall remain in place.

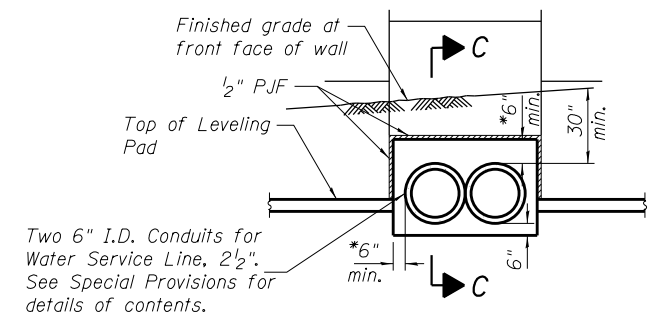


CENTER M.S.E. ELEVATION

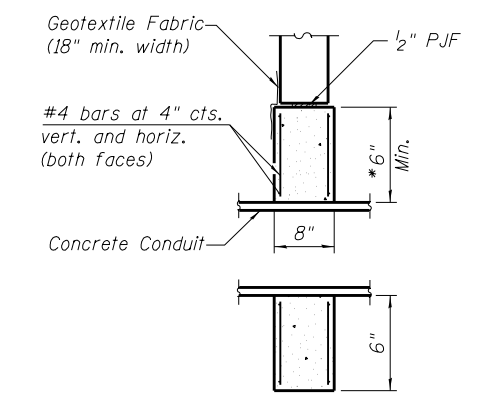
(North Wall Shown, South Wall Similar)



DETAIL "X" END VIEW



SECTION THRU MSE WALL AT CONDUITS



SECTION C-C

Notes:
 See Sheet SR30 of SR41 for sections A-A and B-B.
 Two 6" ID pipes are to be located thru the MSE Wall.
 See Section thru MSE Wall at Conduits, Modifications to Existing Irrigation System Plans and Special Provisions for more details. Cost of Concrete Conduits, Cast in Place Panels, Rebar, PJF, and Geotextile Fabric included with Mechanically Stabilized Earth Retaining Wall.

(Sheet 1 of 2)



USER NAME =	DESIGNED - AMS	REVISED
CHECKED - LDB	REVISED	
DRAWN - DR	REVISED	
CHECKED - JMH	REVISED	

**STATE OF ILLINOIS
 DEPARTMENT OF TRANSPORTATION**

**EAST ABUTMENT / CENTER MSE WALL DETAILS
 STRUCTURE NO. 016-1323**

SHEET NO. SR28 OF SR41 SHEETS

F.A.P. RTE.	SECTION	COUNTY	TOTAL SHEETS	SHEET NO.
0383	0303-474HB-R	COOK	368	269
CONTRACT NO. 60F63				

ILLINOIS FED. AID PROJECT