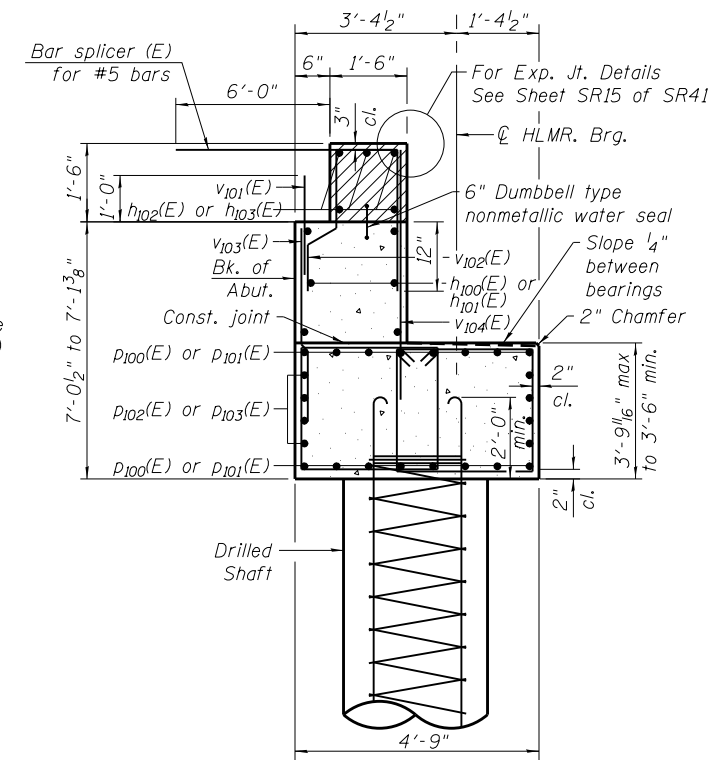


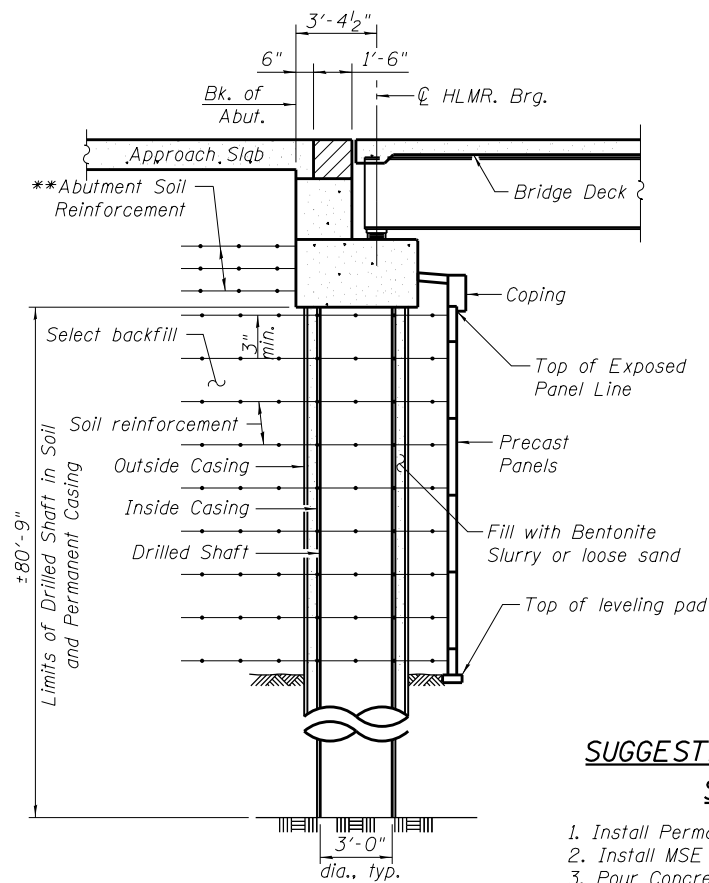
**EAST ABUTMENT
BILL OF MATERIAL**

| Bar | No. | Size | Length | Shape |
|--|---------|------|--------|-------|
| h ₁₀₀ (E) | 8 | #5 | 24'-5" | — |
| h ₁₀₁ (E) | 8 | #5 | 20'-2" | — |
| h ₁₀₂ (E) | 5 | #6 | 24'-5" | — |
| h ₁₀₃ (E) | 5 | #6 | 18'-9" | — |
| p ₁₀₀ (E) | 16 | #9 | 24'-5" | — |
| p ₁₀₁ (E) | 16 | #9 | 20'-2" | — |
| p ₁₀₂ (E) | 8 | #9 | 24'-5" | — |
| p ₁₀₃ (E) | 8 | #9 | 18'-9" | — |
| s ₁₀₀ (E) | 82 | #5 | 12'-3" | □ |
| *s _{p100} (E) | 3 | #5 | 81'-6" | ⋈ |
| u ₁₀₀ (E) | 6 | #6 | 17'-6" | ⋈ |
| u ₁₀₁ (E) | 4 | #5 | 7'-3" | ⋈ |
| u ₁₀₂ (E) | 6 | #6 | 16'-4" | ⋈ |
| u ₁₀₃ (E) | 4 | #5 | 7'-0" | ⋈ |
| u ₁₀₄ (E) | 40 | #5 | 4'-6" | ⋈ |
| v ₁₀₀ (E) | 36 | #10 | 45'-9" | ⋈ |
| v ₁₀₁ (E) | 44 | #5 | 2'-6" | — |
| v ₁₀₂ (E) | 44 | #5 | 3'-4" | — |
| v ₁₀₃ (E) | 44 | #5 | 7'-9" | — |
| v ₁₀₄ (E) | 44 | #5 | 9'-3" | — |
| v ₁₀₅ | 36 | #10 | 45'-8" | — |
| Concrete Structures | Cu. Yd. | | 39.3 | |
| Reinforcement Bars | Pound | | 7,080 | |
| Reinforcement Bars, Epoxy Coated | Pound | | 18,210 | |
| Drilled Shaft in Soil | Cu. Yd. | | 63.4 | |
| Permanent Casing | Foot | | 380 | |
| Concrete Sealer | Sq. Ft. | | 473 | |
| Temporary Mechanically Stabilized Earth Retaining Wall | Sq. Ft. | | 2,186 | |
| Mechanically Stabilized Earth Retaining Wall | Sq. Ft. | | 5,075 | |
| Removal and Disposal of Unsuitable Material for Structures | Cu. Yd. | | 426.5 | |
| Aggregate Column Ground Improvement | L. Sum | | 0.32 | |



SECTION THRU ABUTMENT

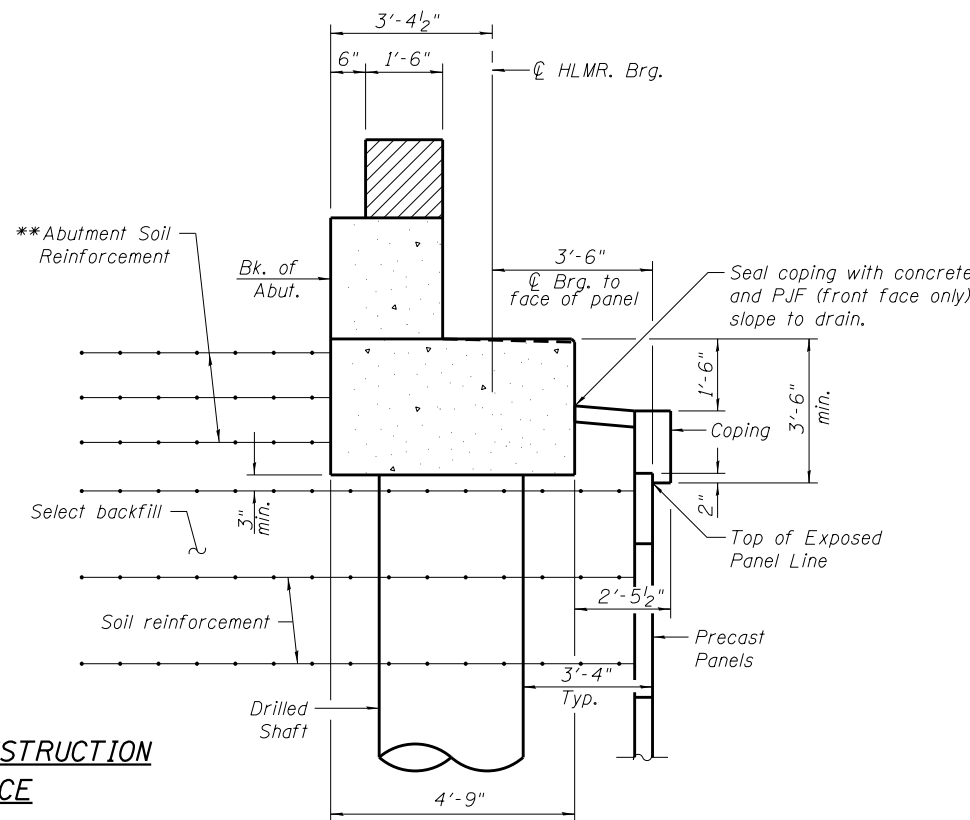
Soil reinforcement and coping are not shown see other "Section Thru Abutment" for details. Casing shown in Section A-A.



SECTION A-A

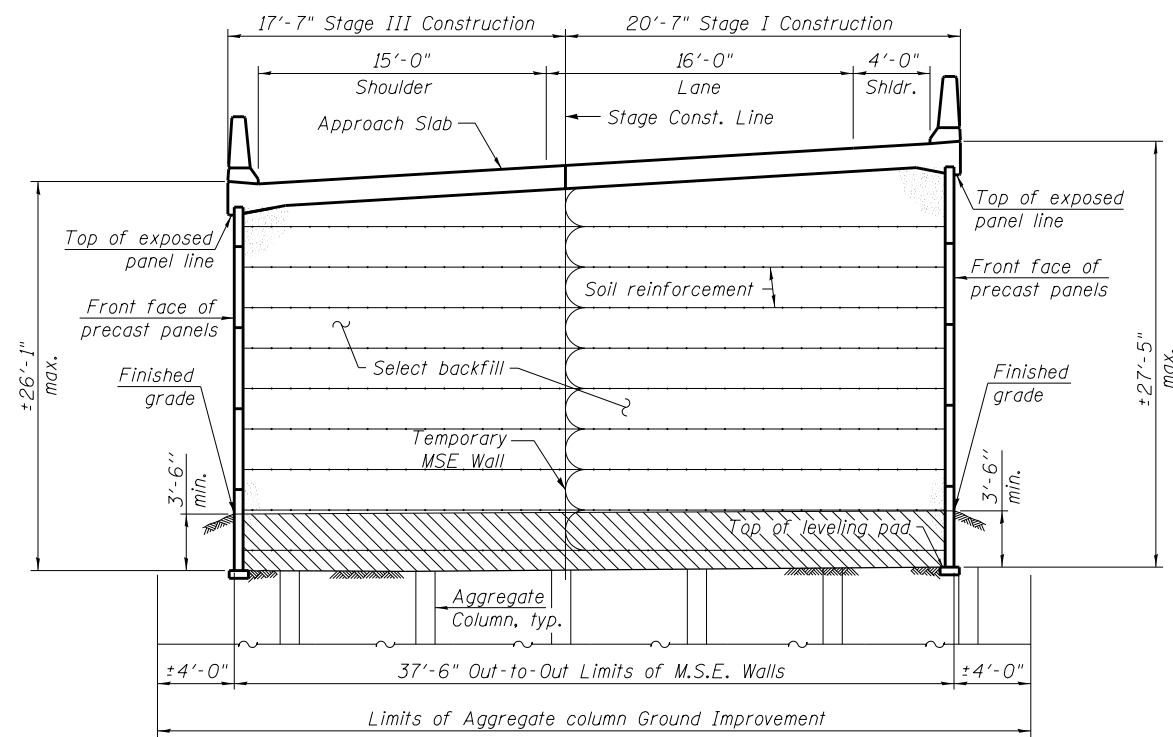
SUGGESTED CONSTRUCTION SEQUENCE

1. Install Permant Casing for Drilled Shafts.
2. Install MSE Wall.
3. Pour Concrete for Drilled Shafts.

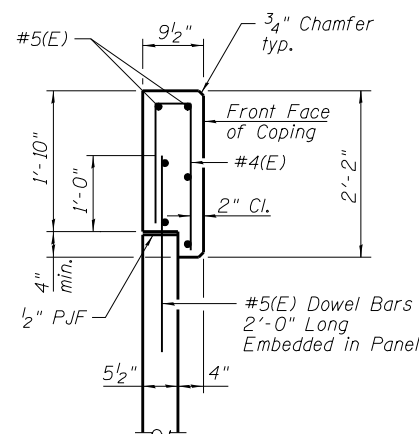


SECTION THRU ABUTMENT

Showing soil reinforcement and coping with precast panels. Casing not shown for clarity.



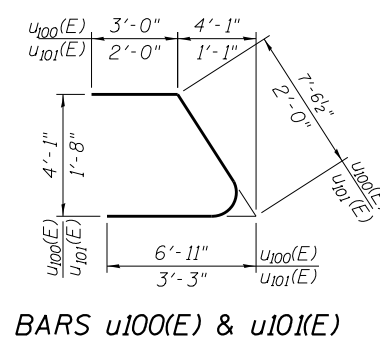
SECTION B-B



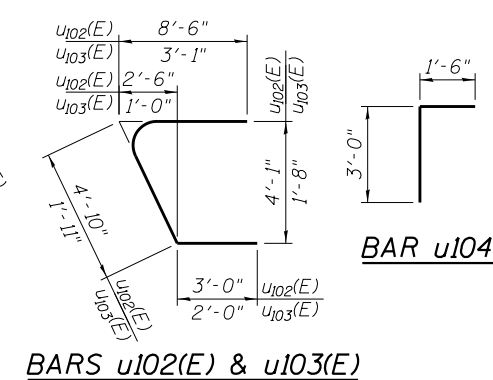
COPING DETAILS

Cost of Coping including Reinforcement in the Coping is included in the pay item "Mechanically Stabilized Earth Retaining Wall."

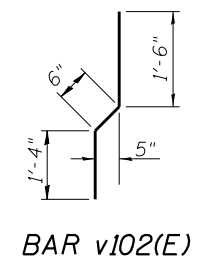
Removal of unsuitable material.



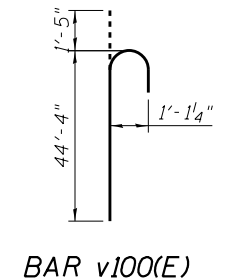
BARS u100(E) & u101(E)



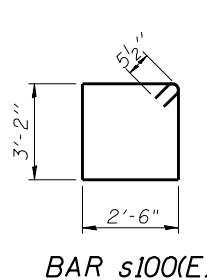
BARS u102(E) & u103(E)



BAR v102(E)



BAR v100(E)



BAR s100(E)

* Length is height of spiral.

** The MSE wall supplier shall design the abutment soil reinforcement to resist a horizontal force of 3.8 k/ft of abutment.

Notes:
Hatched area to be poured after superstructure false work has been removed. Quantity of concrete included with Concrete Superstructure on sheet SR11 of SR41.
Space reinforcement in cap to miss anchor bolts.
Pour steps monolithically with cap. For details of Bar Splicers, see sheet SR38 of SR41.
Quantity of embankment fill is included with roadway quantities.
Min. lap for spirals = 2'-6".
Temporary MSE walls required for stage construction shall remain in place. See SR33 of SR41 and SNO16-1322 plans for remainder of Aggregate Column Ground Improvement quantity.

| | | |
|--------------|----------------|---------|
| USER NAME = | DESIGNED - AMS | REVISED |
| PLOT SCALE = | CHECKED - LDB | REVISED |
| PLOT DATE = | DRAWN - DR | REVISED |
| | CHECKED - JMH | REVISED |

| | | | | |
|---------------------------|--------------|--------|--------------|-----------|
| F.A.P. RTE. | SECTION | COUNTY | TOTAL SHEETS | SHEET NO. |
| 0383 | 0303-474HB-R | COOK | 368 | 271 |
| CONTRACT NO. 60F63 | | | | |
| ILLINOIS FED. AID PROJECT | | | | |