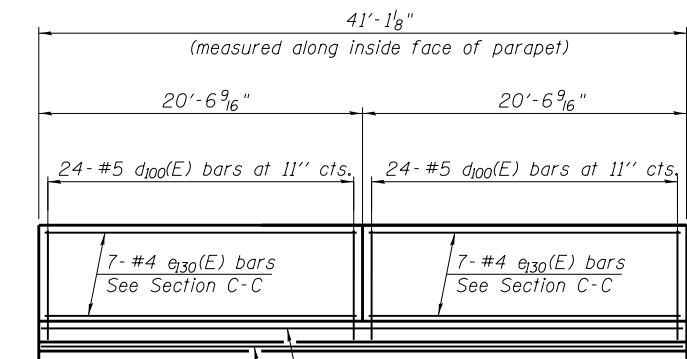
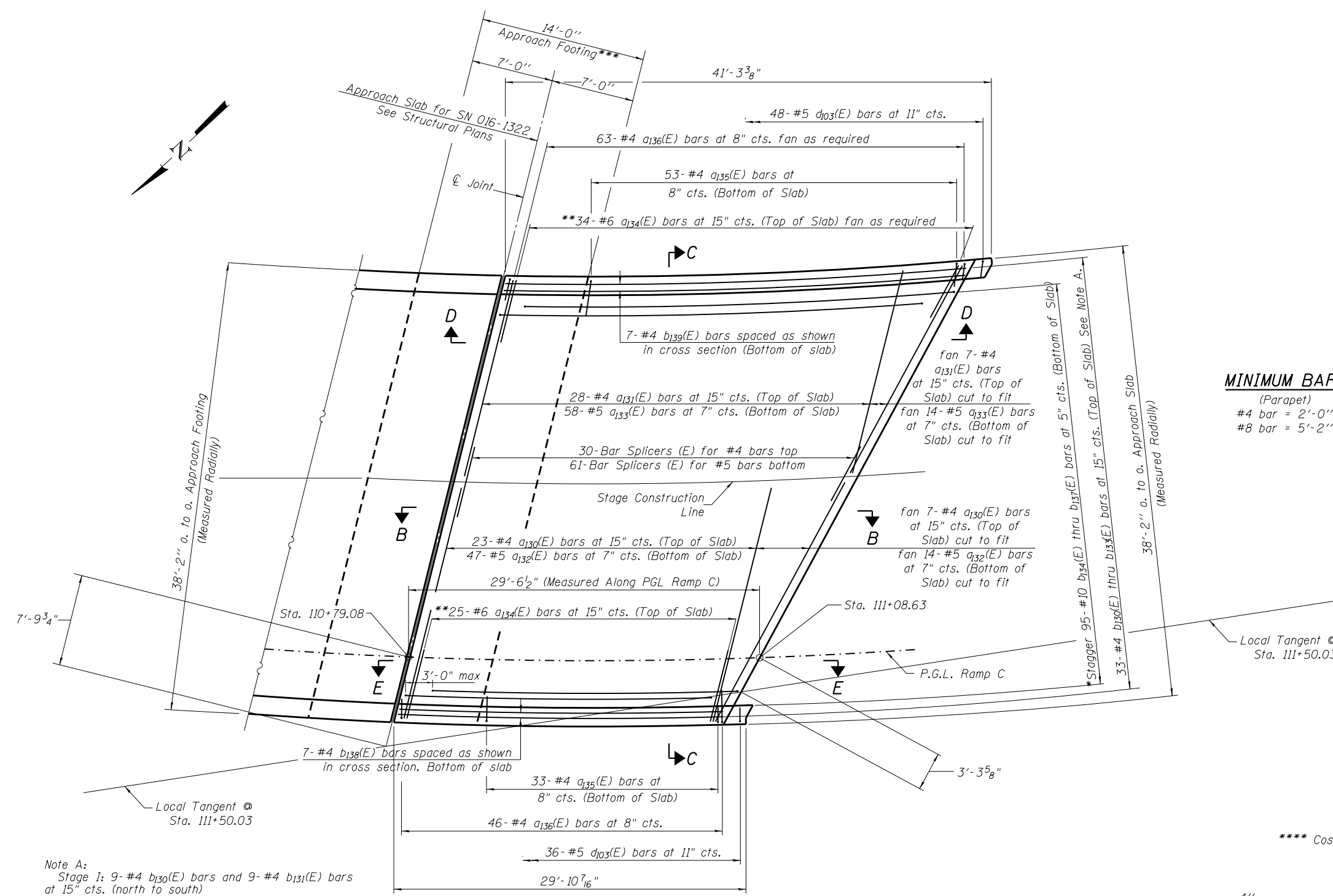
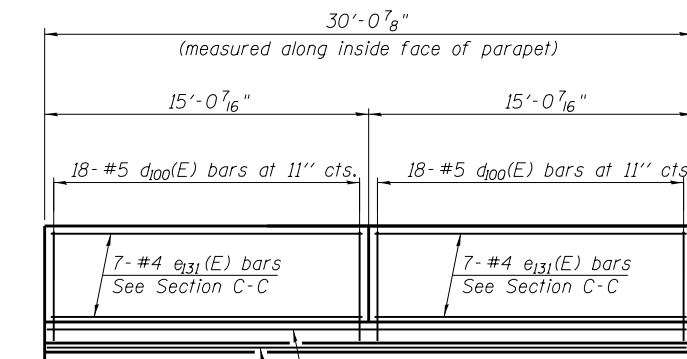


Notes:  
 See sheet SR34 of SR41 for Sections B-B and C-C.  
 $a_{130}(E)$  thru  $a_{133}(E)$  bar spacings measured perpendicular along span.  
 For parapet joint details, see sheet SR13 of SR41.  
 Bars indicated thus 1 x 2-#4 etc. indicates 1 line of bars with 2 lengths per line.



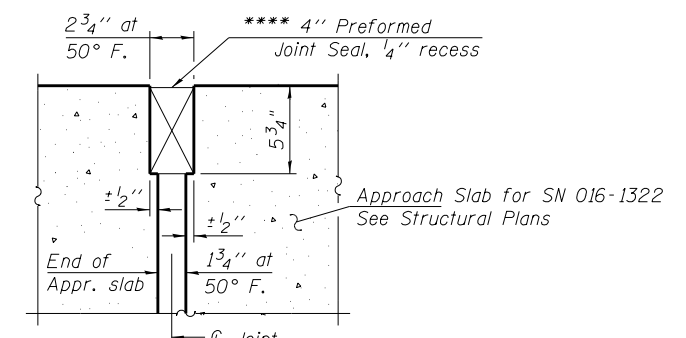
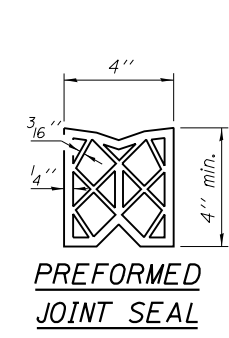
**VIEW D-D**



**VIEW E-E**

**MINIMUM BAR LAP**  
 (Parapet)  
 #4 bar = 2'-0"  
 #8 bar = 5'-2"

\*\*\*\* Cost included with Concrete Superstructure.



**DETAIL A**

Note A:  
 Stage I: 9-#4  $b_{130}(E)$  bars and 9-#4  $b_{131}(E)$  bars at 15" cts. (north to south)  
 Stage III: 8-#4  $b_{132}(E)$  bars and 7-#4  $b_{133}(E)$  bars at 15" cts. (north to south)

Note B:  
 Stage I: 26-#10  $b_{134}(E)$  and 26-#10  $b_{135}(E)$  bars at 5" cts. (north to south)  
 Stage III: 22-#10  $b_{136}(E)$  and 21-#10  $b_{137}(E)$  bars at 5" cts. (north to south)

**PLAN**

**PLAN**

\* Tilt #10  $b_{134}(E)$  thru  $b_{137}(E)$  bars as required to maintain clearance. See Note B.  
 \*\* Space between  $a_{130}(E)$  bars in the north parapet and  $a_{131}(E)$  bars in the south parapet.  
 \*\*\* Approach footing included in SN 016-1322 plans.

(Sheet 1 of 2)

<b>COLLINS ENGINEERS</b> <small>133 N. Wacker Dr.        Suite 900        Chicago, IL 60606        Tel: (312) 704-9300        Fax: (312) 704-9320        www.collinsengr.com</small> <small>ILLINOIS PROFESSIONAL DESIGN FIRM LICENSE NO. 184-000993</small>	USER NAME =	DESIGNED - AMS	REVISED	<b>STATE OF ILLINOIS</b> <b>DEPARTMENT OF TRANSPORTATION</b>	<b>EAST BRIDGE APPROACH SLAB DETAILS</b> <b>STRUCTURE NO. 016-1323</b>	F.A.P. RT.E. =	SECTION	COUNTY	TOTAL SHEETS	SHEET NO.
	PLOT SCALE =	CHECKED - LDB	REVISED			0383	0303-474HB-R	COOK	368	275
	PLOT DATE =	DRAWN - DR	REVISED			CONTRACT NO. 60F63			ILLINOIS FED. AID PROJECT	
		CHECKED - JMH	REVISED		SHEET NO. SR34 OF SR41 SHEETS					