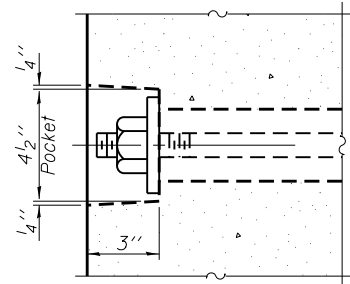


FABRIC BEARING PAD
(Interior)

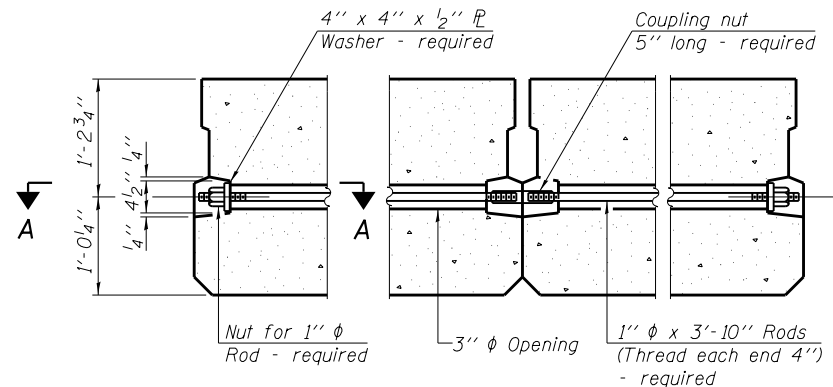
FABRIC BEARING PAD
(Exterior)

FIXED

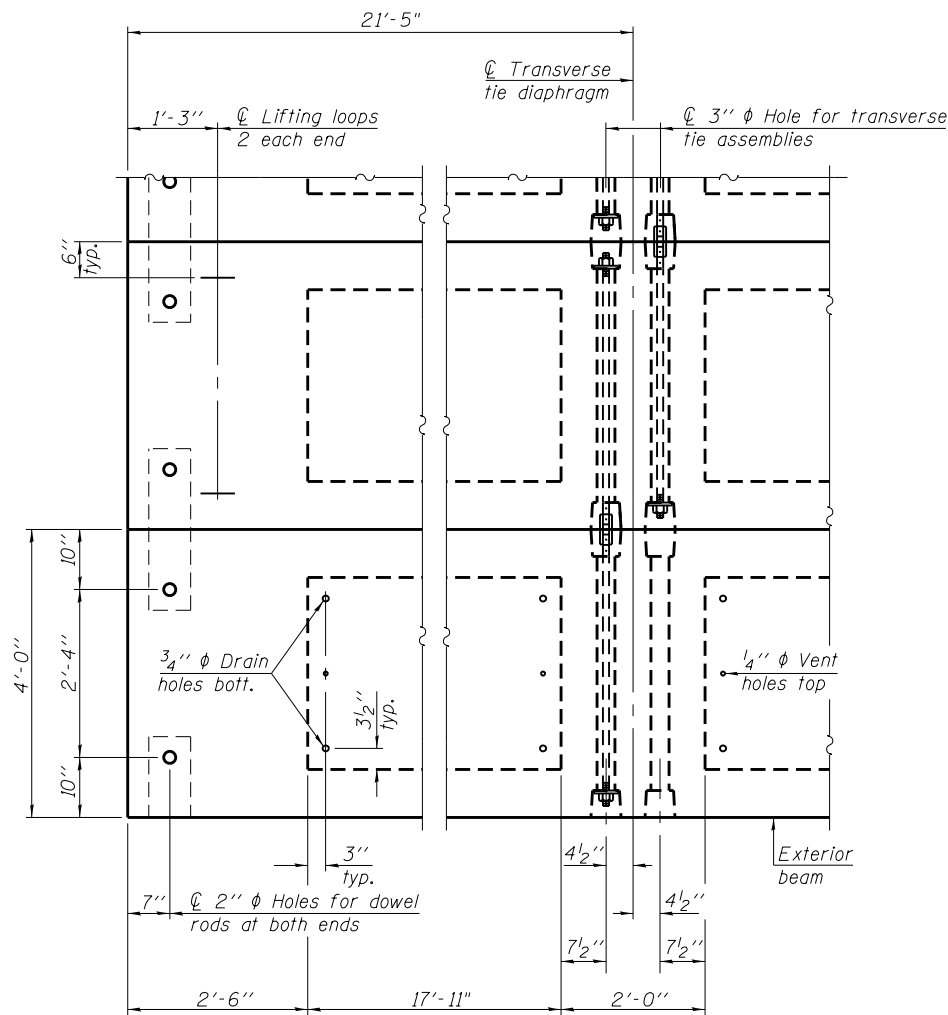
Notes:
All bearing pads shall be 1" thick.
Cost included with Precast Prestressed Concrete Deck Beams (27" depth).



SECTION A-A

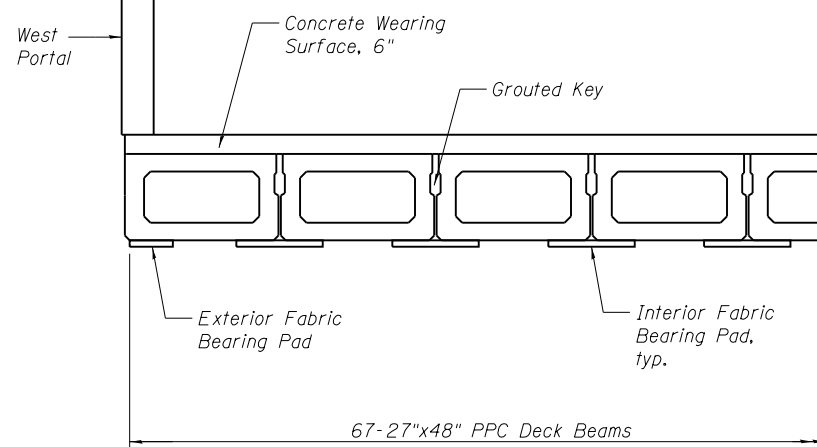


TYPICAL TRANSVERSE TIE ASSEMBLY



PLAN VIEW

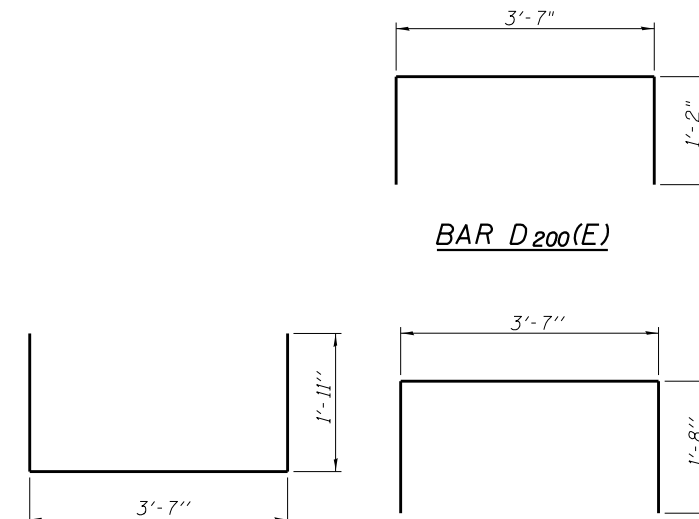
Notes:
Connect beams in pairs with the transverse tie configuration shown.
Cost included with Precast Prestressed Concrete Deck Beams (27").
Cost of dowel rods, with drilling and grouting, is included with Precast Prestressed Concrete Deck Beams (27" depth).



PARTIAL CROSS SECTION

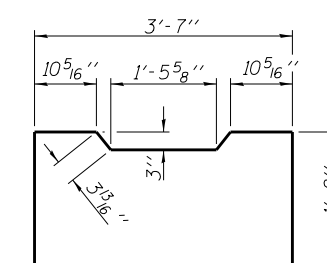
NOTES

Prestressing steel shall be uncoated high strength, low relaxation 7-wire strand, Grade 270. The nominal diameter shall be 1/2" and the nominal cross-sectional area shall be 0.153 sq. in.
The 1" rods in the transverse tie assembly shall be tightened to a snug fit and the threads set. Pockets on exterior faces of bridge shall be filled with grout after transverse tie assembly is in place.
Reinforcement bars shall conform to ASTM A 706, Grade 60. (See Special Provisions).
Two 1/8" fabric adjusting shims of the dimensions of the exterior bearing pad shall be provided for each bearing pad location.
A minimum 2 1/2" diameter lifting pin shall be used to engage the lifting loops during handling.
Corrosion Inhibitor, per Article 1020.05(b)(12) and 1021.06 of the Standard Specifications, shall be used in the concrete for precast prestressed concrete deck beams.
Compressive strength of prestressed concrete, f'c, shall be 6000 psi.
Compressive strength of prestressed concrete at release, f'ci, shall be 5000 psi.

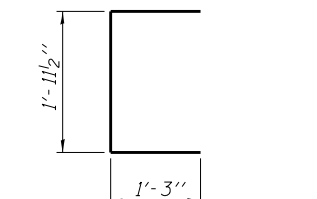


BAR S 203(E)

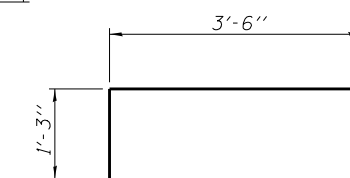
BAR S 204(E)



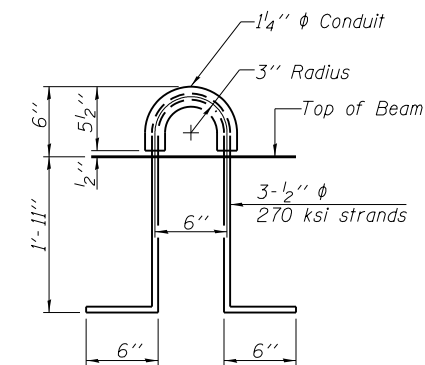
BAR S 205(E)



BAR U 202(E)



BAR U 201(E)



LIFTING LOOP DETAIL

BILL OF MATERIAL

| | | |
|---|---------|--------|
| Precast Prestressed Conc. Deck Bms. (27" depth) | Sq. Ft. | 11,480 |
|---|---------|--------|

PD-2748-0D 7-1-10

COLLINS ENGINEERS
133 N. Wacker Dr.
Suite 900
Chicago, IL 60606
Tel: (312) 704-9300
Fax: (312) 704-9320
www.collinsengr.com
ILLINOIS PROFESSIONAL DESIGN FIRM LICENSE NO. 184-000993

| | | |
|--------------|----------------|---------|
| USER NAME = | DESIGNED - EKM | REVISED |
| | CHECKED - LDB | REVISED |
| PLOT SCALE = | DRAWN - PRH | REVISED |
| PLOT DATE = | CHECKED - EKM | REVISED |

STATE OF ILLINOIS
DEPARTMENT OF TRANSPORTATION

27" x 48" PPC DECK BEAM DETAILS
STRUCTURE NO. 016-2573

SHEET NO. ST8 OF ST30 SHEETS

| | | | | |
|---------------------------|--------------|--------|--------------|-----------|
| F.A.I. RTÉ. | SECTION | COUNTY | TOTAL SHEETS | SHEET NO. |
| 90/94 | 0303-474HB-R | COOK | 368 | 290 |
| CONTRACT NO. 60F63 | | | | |
| ILLINOIS FED. AID PROJECT | | | | |