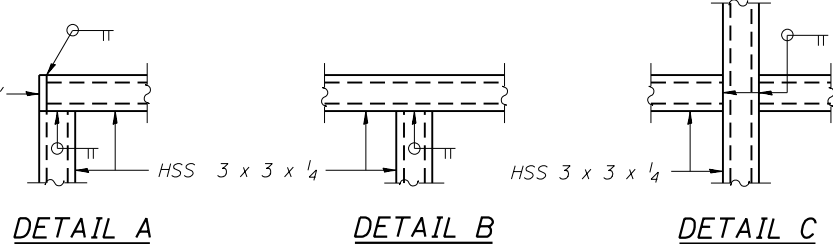


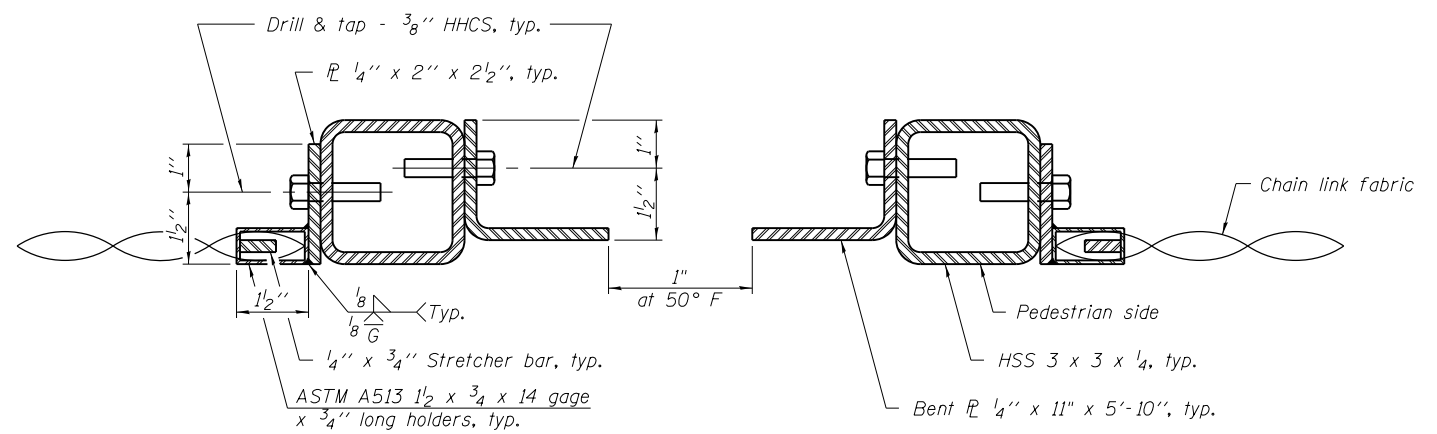
ELEVATION
(Inside Face)

ELEVATION
(At Expansion Joint)

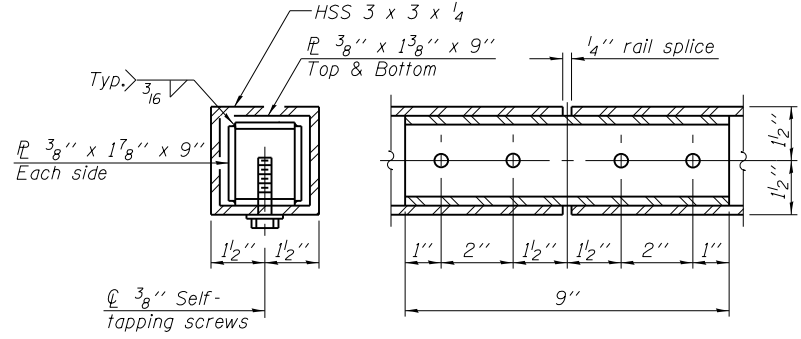


DETAIL A **DETAIL B** **DETAIL C**

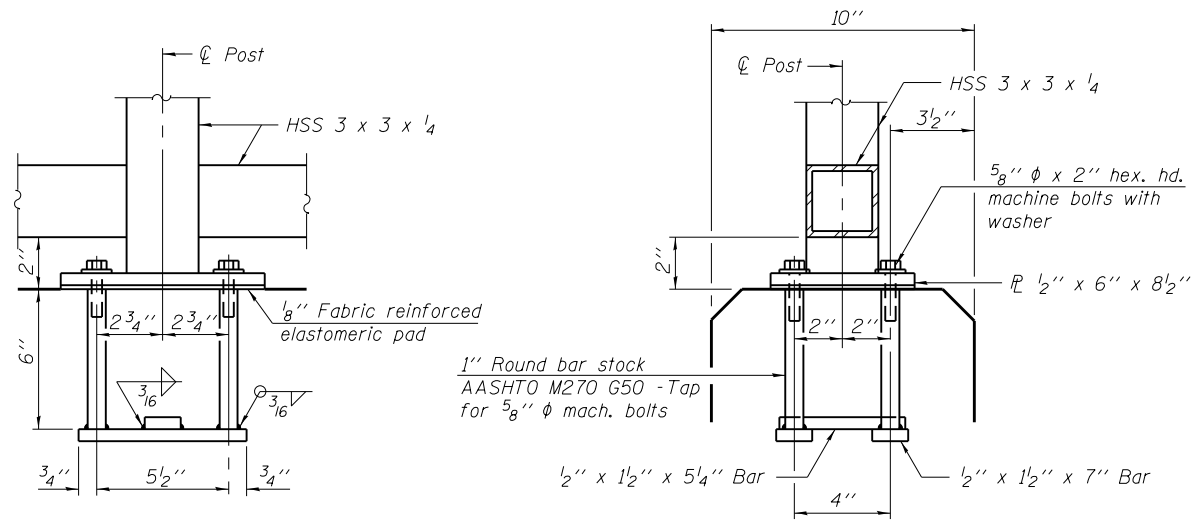
All steel rail elements shall be galvanized according to Article 509.05 of the Standard Specifications.



SECTION A-A



RAIL SPLICE



ANCHOR BOLT DETAILS

In lieu of the cast-in-place anchor device shown, the Contractor has the option of drilling and setting 5/8" ϕ anchor rods according to Article 509.06 of the Standard Specifications. Embedment shall be according to the manufacturer's specifications.

BILL OF MATERIAL

Item	Unit	Quantity
Bridge Fence Railing	Foot	126

R-28

7-1-10 (10'-0" Maximum Post Spacing)

COLLINS ENGINEERS
133 N. Rocker Dr.
Suite 900
Chicago, IL 60606
Tel: (312) 704-9300
Fax: (312) 704-9320
www.collinsengr.com
ILLINOIS PROFESSIONAL DESIGN FIRM LICENSE NO. 184-000993

USER NAME =	DESIGNED - EKM	REVISED
PLOT SCALE =	CHECKED - LDB	REVISED
PLOT DATE =	DRAWN - PRH	REVISED
	CHECKED - EKM	REVISED

STATE OF ILLINOIS
DEPARTMENT OF TRANSPORTATION

BRIDGE FENCE RAILING, PARAPET MOUNTED
STRUCTURE NO. 016-2573

SHEET NO. ST13 OF ST30 SHEETS

F.A.I. RTE. 90/94	SECTION 0303-474HB-R	COUNTY COOK	TOTAL SHEETS 368	SHEET NO. 295
CONTRACT NO. 60F63				ILLINOIS FED. AID PROJECT