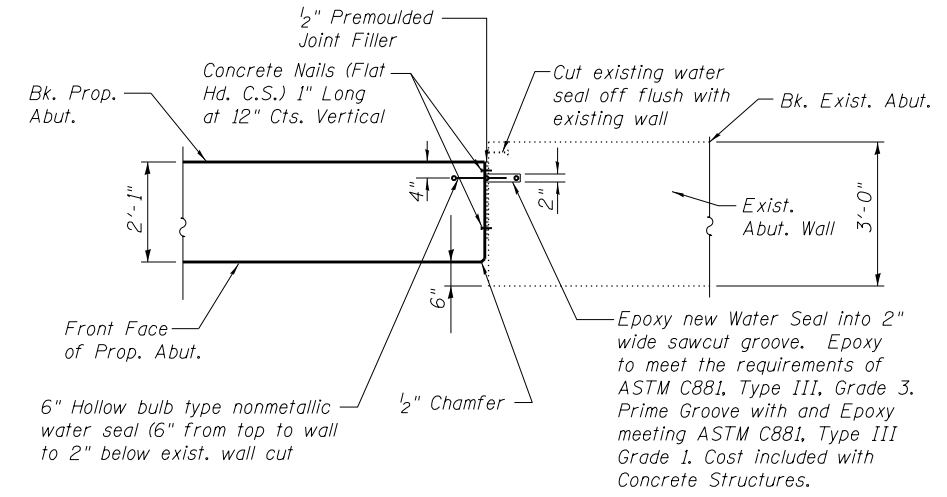
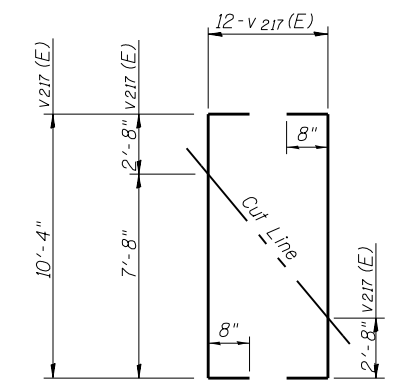


SECTION K-K

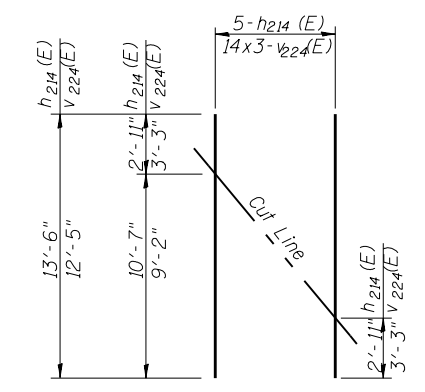


SECTION L-L



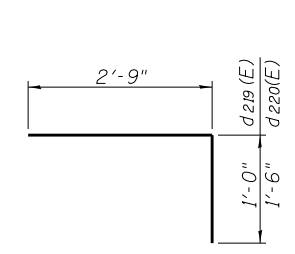
FIELD CUTTING DIAGRAM

* Order bars full length. Cut to fit as shown and use remainder of bars in other face.

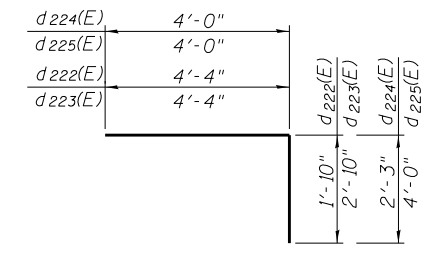


FIELD CUTTING DIAGRAM

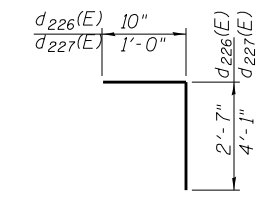
* Order bars full length. Cut to fit as shown and use remainder of bars in other face.



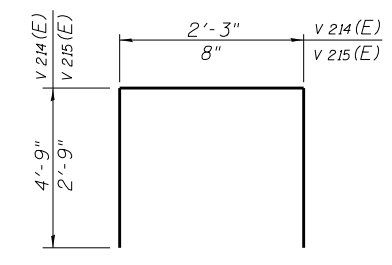
BARS d 219(E) & d 220(E)



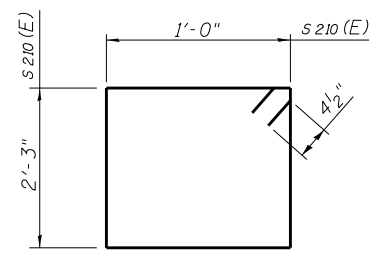
**BARS d 222(E) & d 223(E)
BARS d 224(E) & d 225(E)**



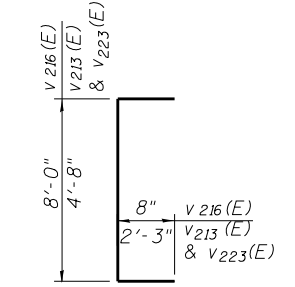
BARS d 226(E) & d 227(E)



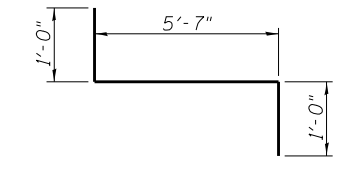
BARS v 214(E) & v 215(E)



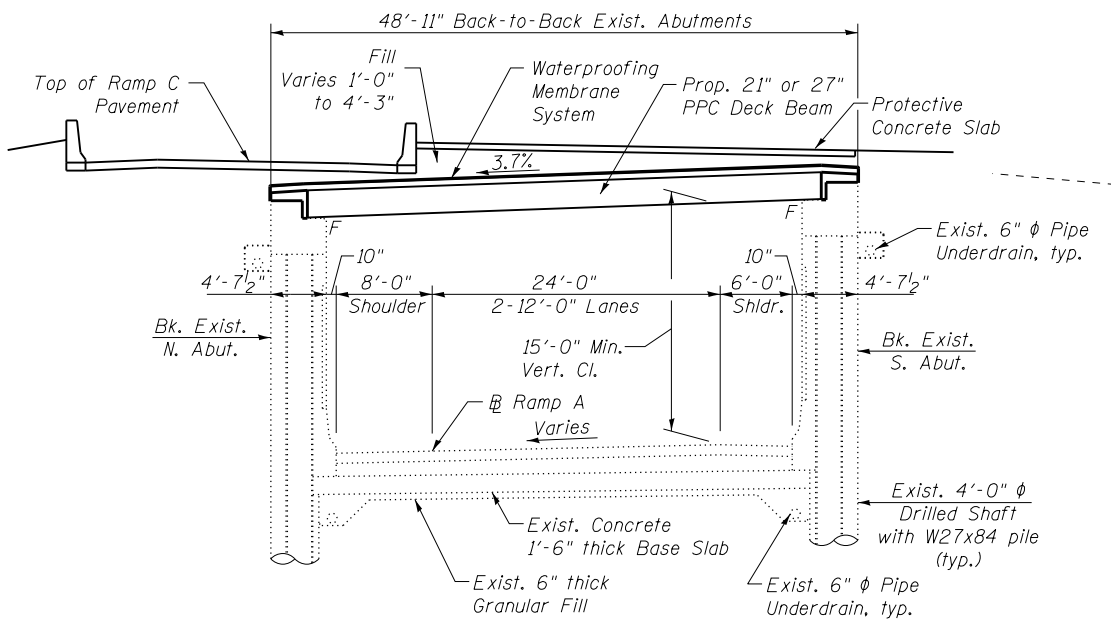
BARS s 210(E)



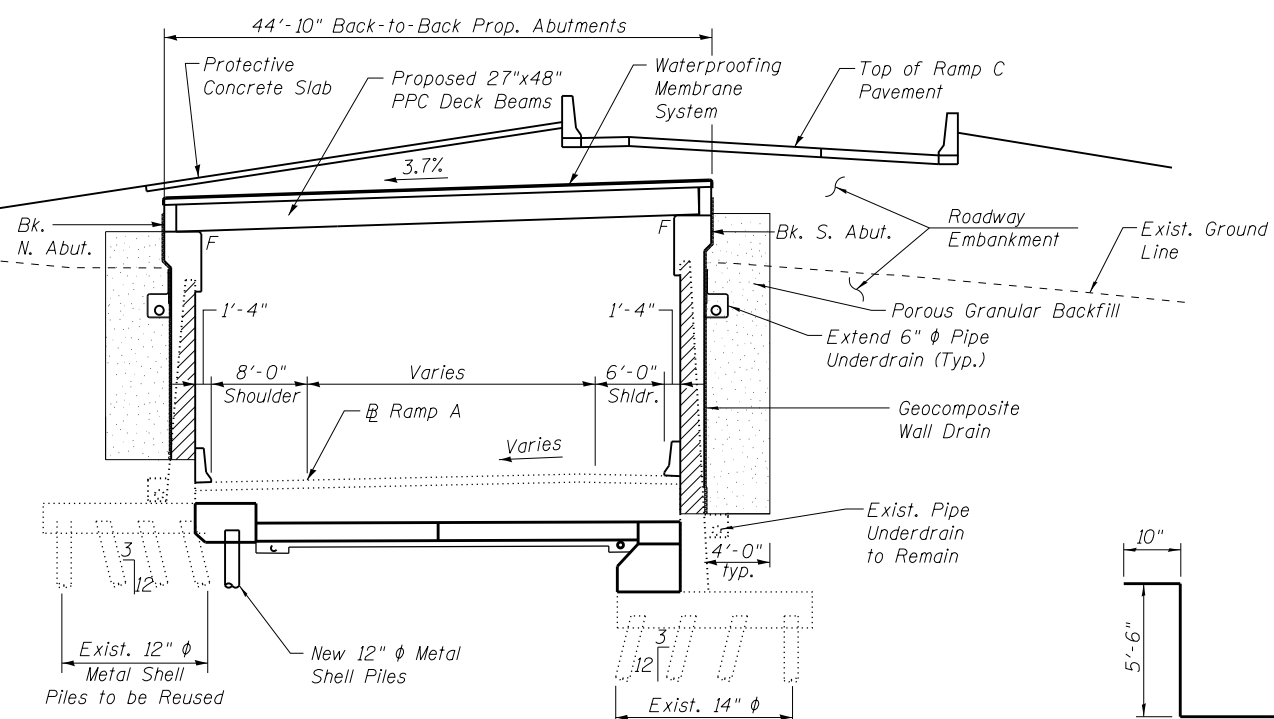
**BARS v 213(E), v 216(E)
& v 223(E)**



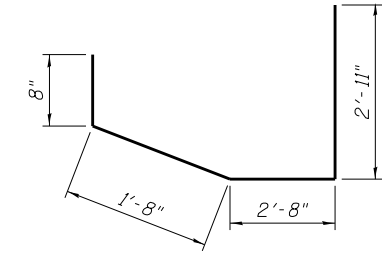
BARS d 228(E)



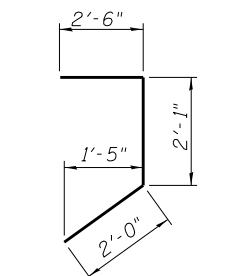
**CROSS SECTION
Thru Existing Abutments
Looking East**



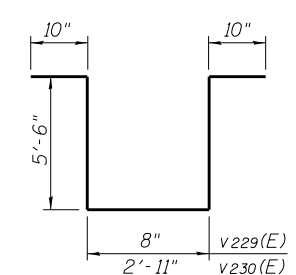
**CROSS SECTION
Thru Proposed Abutments
Looking East**



BAR s 211(E)



BAR v 222(E)



BARS v 229(E) & v 230(E)

USER NAME =	DESIGNED - EKM	REVISED
PLLOT SCALE =	CHECKED - LDB	REVISED
PLLOT DATE =	DRAWN - PRH	REVISED
	CHECKED - EKM	REVISED

F.A.I. RT.E.	SECTION	COUNTY	TOTAL SHEETS	SHEET NO.
90/94	0303-474HB-R	COOK	368	301
CONTRACT NO. 60F63				ILLINOIS FED. AID PROJECT