

MINIMUM BAR LAP

#5 bar = 3'-8"

#6 bar = 4'-5"

AT NORTH ABUTMENT

Station along Ramp A	Offset	Top of Base Slab Elevation
17+17.60	-4.75	569.45
17+27.60	-4.75	569.49
17+37.60	-4.75	569.53
17+47.60	-4.75	569.57
17+57.60	-4.75	569.61
17+67.60	-4.75	569.65
17+74.65	-4.75	569.68

AT STAGE CONSTRUCTION LINE

Station along Ramp A	Offset	Top of Base Slab Elevation
17+17.60	10.92	569.51
17+27.60	10.92	569.54
17+37.60	10.92	569.58
17+47.60	10.92	569.62
17+57.60	10.92	569.66
17+67.60	10.92	569.70
17+74.65	10.92	569.73

AT SOUTH ABUTMENT

Station along Ramp A	Offset	Top of Base Slab Elevation
17+17.60	26.45	569.57
17+27.60	26.65	569.61
17+37.60	26.85	569.65
17+47.60	25.30	569.69
17+57.60	25.50	569.71
17+67.60	25.70	569.75
17+74.65	25.84	569.78

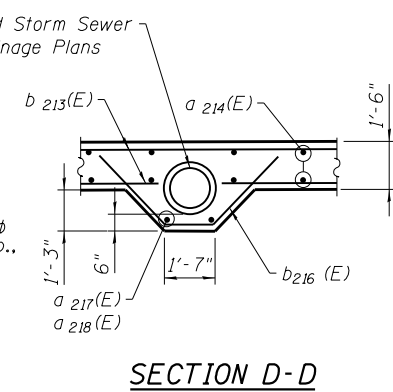
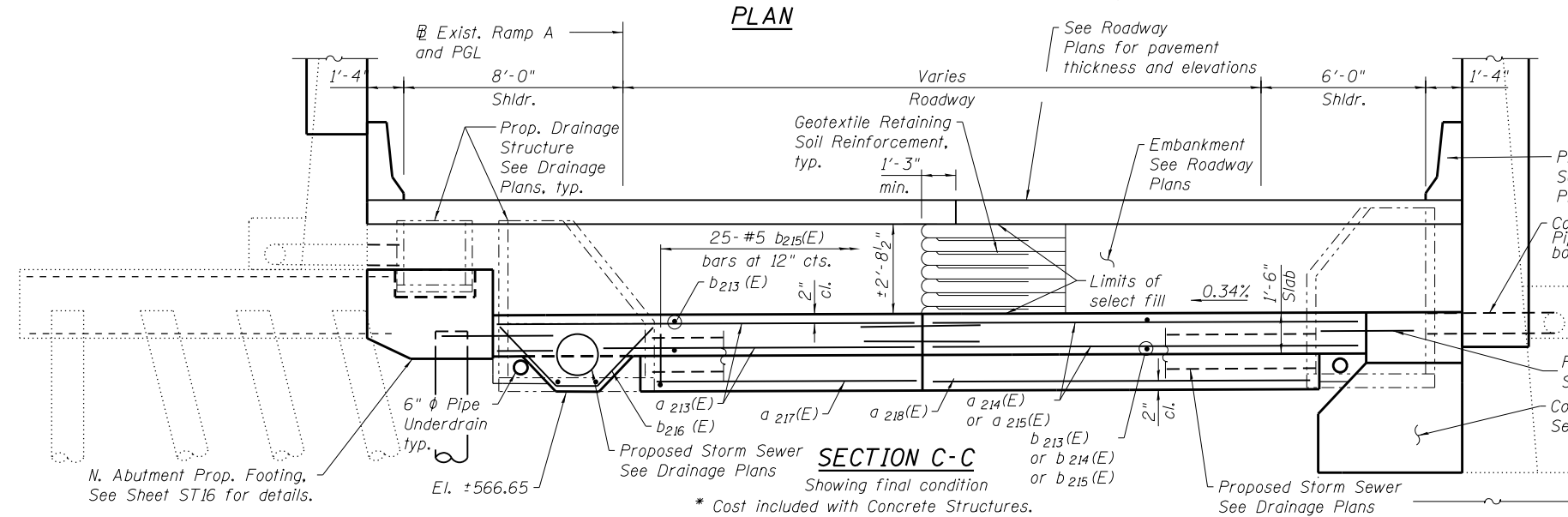
BILL OF MATERIAL

Bar	No.	Size	Length	Shape
a 213(E)	116	#6	15'-4"	—
a 214(E)	60	#6	15'-9"	—
a 215(E)	56	#6	14'-7"	—
a 216(E)	24	#6	7'-0"	—
a 217(E)	4	#6	9'-8"	—
a 218(E)	2	#6	13'-10"	—
b 213(E)	124	#5	30'-3"	—
b 214(E)	10	#5	32'-3"	—
a 215(E)	36	#5	7'-10"	∩
Concrete Structures	Cu. Yd.		98.6	
Reinforcement Bars, Epoxy Coated	Pound		10,220	
Geotextile Retaining Wall	Sq. Ft.		190	
Pipe Underdrains for Structures 6"	Feet		130	

LEGEND:

Indicates limits of Geotextile Retaining Wall, typ.

Note: For Stages IA and IB cross-section see sheet ST 22.



USER NAME =	DESIGNED -	REVISIONS
	EKM	REVISIONS
	LDB	REVISIONS
	PRH	REVISIONS
	EKM	REVISIONS

F.A.I. RTE.	SECTION	COUNTY	TOTAL SHEETS	SHEET NO.
90/94	0303-474HB-R	COOK	368	303
				CONTRACT NO. 60F63
ILLINOIS FED. AID PROJECT				