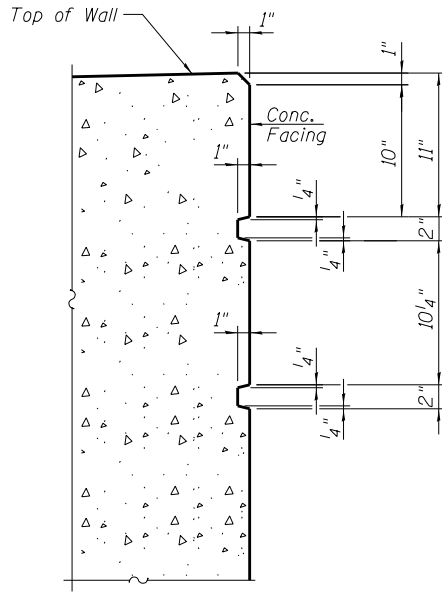
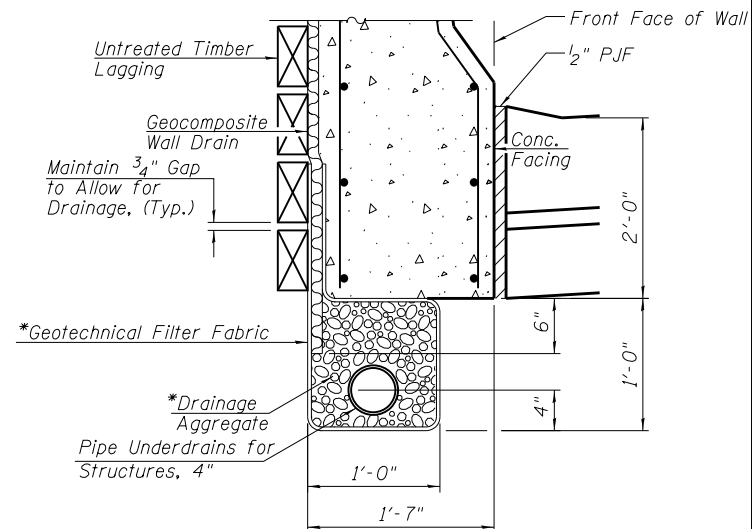


SECTION A-A
Thru Soldier Pile Wall

** Location of point on Front Face that stations, offsets and top of Proposed Ramp C elevations are referenced to.

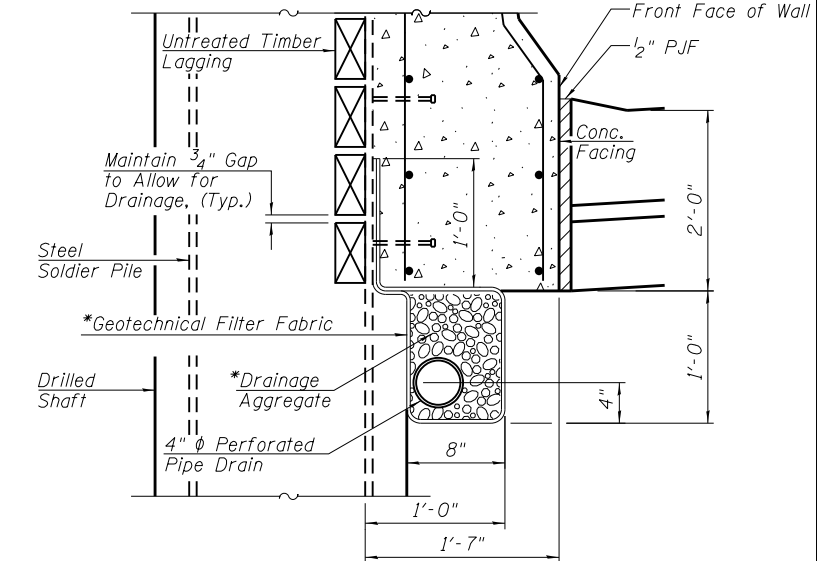


RUSTICATION DETAIL
AT TOP OF WALL



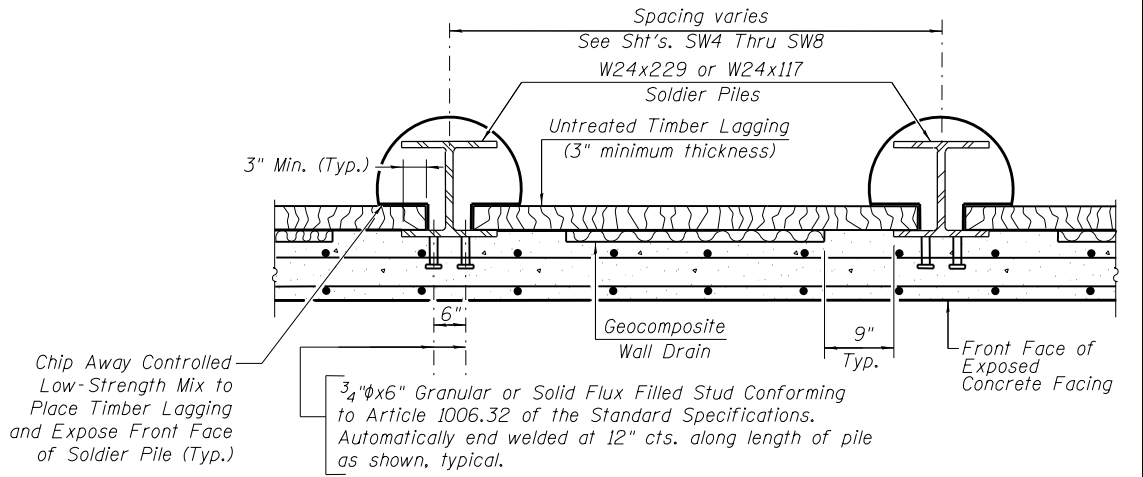
PIPE UNDERDRAIN DETAIL
BETWEEN SOLDIER PILES

*Included in the cost for Pipe Underdrains For Structures 4"



PIPE UNDERDRAIN DETAIL
AT SOLDIER PILES

*Included in the cost for Pipe Underdrains For Structures 4"



TYPICAL SECTION THRU
SOLDIER PILE WALL



USER NAME =	DESIGNED - GFP	REVISED -
PLOT SCALE =	CHECKED - GMK	REVISED -
PLOT DATE =	DRAWN - GFP	REVISED -
	DATE - 3/5/2013	REVISED -

STATE OF ILLINOIS
DEPARTMENT OF TRANSPORTATION

TYPICAL WALL SECTIONS AND DRAINAGE DETAILS
STRUCTURE NO. 016-2014

SHEET NO. SW3 OF SW11 SHEETS

F.A.I. R.T.E. 90/94	SECTION 0303-474HB-R	COUNTY COOK	TOTAL SHEETS 368	SHEET NO. 315
CONTRACT NO. 60F63			ILLINOIS FED. AID PROJECT	