

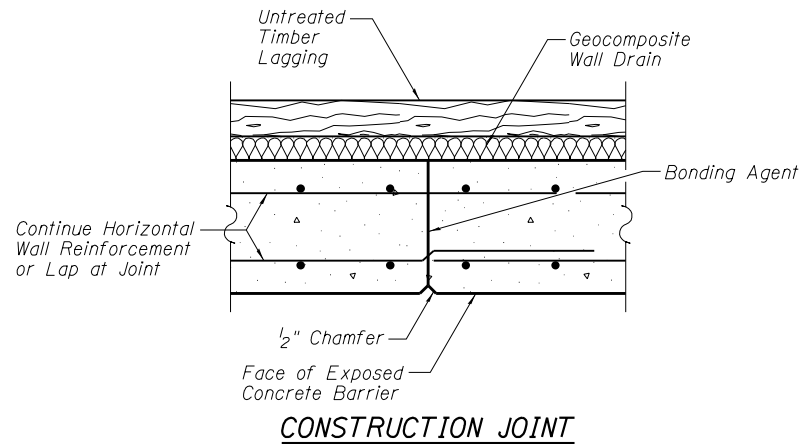
**SECTION SHOWING  
TIMBER LAGGING AT BARRIER WALL**

**SOLDIER PILE RETAINING WALL SOLDIER PILE SCHEDULE**

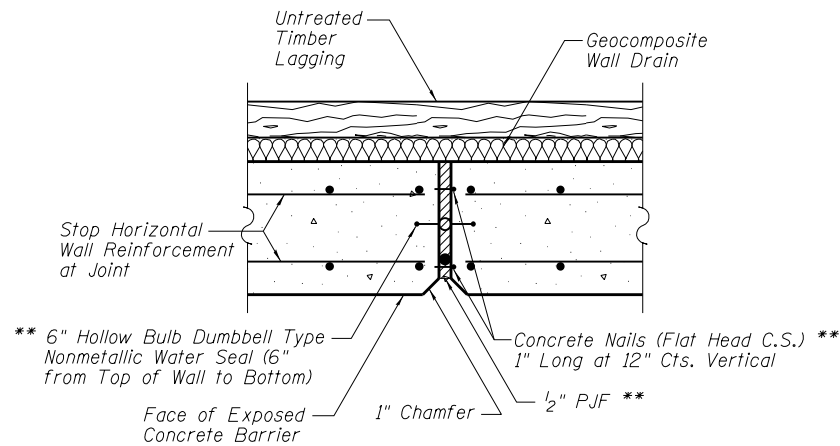
Pile	Station	Offset	Top of Pile Elevation	Pile Tip Elevation	Pile Length (Ft.)	No. Stud Shear Connectors
Pile #1	120+02.50	25.18	586.66	536.00	50.66	6
Pile #2	120+07.50	25.18	586.74	536.00	50.74	8
Pile #3	120+12.50	25.18	586.83	536.00	50.83	8
Pile #4	120+17.50	25.18	586.91	536.00	50.91	8
Pile #5	120+22.50	25.18	587.00	536.00	51.00	8
Pile #6	120+27.50	25.18	587.09	536.00	51.09	8
Pile #7	120+32.50	25.18	587.17	536.00	51.17	10
Pile #8	120+37.50	25.18	587.25	536.00	51.25	10
Pile #9	120+42.50	25.18	587.34	536.00	51.34	10
Pile #10	120+47.50	25.18	587.42	536.00	51.42	10
Pile #11	120+52.50	25.18	587.51	536.00	51.51	12
Pile #12	120+57.50	25.18	587.59	536.00	51.59	12
Pile #13	120+62.50	25.18	587.68	536.00	51.68	12
Pile #14	120+67.50	25.18	587.76	536.00	51.76	12
Pile #15	120+72.50	25.18	587.85	536.00	51.85	14
Pile #16	120+77.09	25.25	587.93	536.00	51.93	14
Pile #17	120+81.25	25.25	588.00	536.00	52.00	14
Pile #18	120+85.42	25.25	588.06	536.00	52.06	14
Pile #19	120+89.59	25.25	588.13	536.00	52.13	14
Pile #20	120+93.75	25.25	588.20	536.00	52.20	16
Pile #21	120+97.92	25.25	588.27	536.00	52.27	16
Pile #22	121+02.09	25.25	588.26	536.00	52.26	16
Pile #23	121+06.25	25.25	588.17	536.00	52.17	16
Pile #24	121+10.42	25.25	588.09	536.00	52.09	16
Pile #25	121+14.59	25.25	588.00	536.00	52.00	16
Pile #26	121+18.75	25.25	587.91	536.00	51.91	16
Pile #27	121+22.92	25.25	587.83	536.00	51.83	16
Pile #28	121+27.09	25.25	587.74	536.00	51.74	16
Pile #29	121+31.25	25.25	587.65	536.00	51.65	16
Pile #30	121+35.42	25.25	587.56	536.00	51.56	16
Pile #31	121+39.59	25.25	587.47	536.00	51.47	16
Pile #32	121+43.75	25.25	587.39	536.00	51.39	18
Pile #33	121+47.92	25.25	587.30	536.00	51.30	18
Pile #34	121+52.09	25.25	587.19	536.00	51.19	18
Pile #35	121+56.25	25.25	587.06	536.00	51.06	18
Pile #36	121+60.42	25.25	586.92	536.00	50.92	18
Pile #37	121+64.59	25.25	586.79	536.00	50.79	18
Pile #38	121+68.75	25.25	586.66	536.00	50.66	18
Pile #39	121+72.92	25.25	586.53	536.00	50.53	18
Pile #40	121+77.09	25.25	586.40	536.00	50.40	18
Pile #41	121+81.25	25.25	586.27	536.00	50.27	18
Pile #42	121+85.42	25.25	586.14	536.00	50.14	18
Pile #43	121+89.59	25.25	586.01	536.00	50.01	18
Pile #44	121+93.75	25.25	585.87	536.00	49.87	18
Total =						630

**SOLDIER PILE RETAINING WALL SOLDIER PILE SCHEDULE**

Pile	Station	Offset	Top of Pile Elevation	Pile Tip Elevation	Pile Length (Ft.)	No. Stud Shear Connectors
Pile #45	121+97.87	25.25	585.74	536.00	49.74	18
Pile #46	122+01.83	25.25	585.61	536.00	49.61	18
Pile #47	122+05.79	25.25	585.48	536.00	49.48	18
Pile #48	122+09.75	25.25	585.35	536.00	49.35	18
Pile #49	122+13.72	25.25	585.21	536.00	49.21	16
Pile #50	122+17.68	25.25	585.08	536.00	49.08	16
Pile #51	122+21.64	25.25	584.95	536.00	48.95	16
Pile #52	122+25.60	25.25	584.81	536.00	48.81	16
Pile #53	122+29.56	25.25	584.65	536.00	48.65	16
Pile #54	122+33.52	25.25	584.50	536.00	48.50	16
Pile #55	122+37.48	25.25	584.35	536.00	48.35	16
Pile #56	122+41.44	25.25	584.19	536.00	48.19	16
Pile #57	122+45.40	25.25	584.04	536.00	48.04	16
Pile #58	122+49.36	25.25	583.89	536.00	47.89	16
Pile #59	122+53.32	25.25	583.73	536.00	47.73	16
Pile #60	122+57.28	25.25	583.58	536.00	47.58	16
Pile #61	122+61.24	25.25	583.43	536.00	47.43	16
Pile #62	122+65.20	25.25	583.27	536.00	47.27	16
Pile #63	122+69.16	25.25	583.12	536.00	47.12	16
Pile #64	122+73.13	25.18	582.95	536.00	46.95	16
Pile #65	122+77.10	25.18	582.76	536.00	46.76	16
Pile #66	122+81.07	25.18	582.58	536.00	46.58	16
Pile #67	122+85.04	25.18	582.39	536.00	46.39	16
Pile #68	122+89.01	25.18	582.21	536.00	46.21	14
Pile #69	122+92.98	25.18	581.95	536.00	45.95	14
Pile #70	123+02.25	25.18	581.63	536.00	45.63	14
Pile #71	123+07.00	25.18	581.31	536.00	45.31	14
Pile #72	123+11.75	25.18	580.99	536.00	44.99	14
Pile #73	123+16.51	25.18	580.66	536.00	44.66	12
Pile #74	123+21.26	25.18	580.34	536.00	44.34	12
Pile #75	123+26.01	25.18	580.02	536.00	44.02	12
Pile #76	123+30.77	25.18	579.70	536.00	43.70	12
Pile #77	123+35.52	25.18	579.38	536.00	43.38	12
Pile #78	123+40.27	25.18	579.05	536.00	43.05	10
Pile #79	123+45.03	25.18	578.57	536.00	42.57	10
Pile #80	123+51.21	25.18	577.72	536.00	41.72	8
Pile #81	123+57.38	25.18	576.87	536.00	40.87	8
Total =						542



**CONSTRUCTION JOINT**



**EXPANSION JOINT**

\*\* Cost included in Pay Item for Concrete Structures



USER NAME =	DESIGNED - GFP	REVISED -
	CHECKED - GMK	REVISED -
PLOT SCALE =	DRAWN - GFP	REVISED -
PLOT DATE	DATE - 3/5/2013	REVISED -

**STATE OF ILLINOIS  
DEPARTMENT OF TRANSPORTATION**

**WALL CROSS SECTIONS AND DETAILS  
STRUCTURE NO. 016-2014**

SHEET NO. SW9 OF SW11 SHEETS

F.A.I. RTÉ. 90/94	SECTION 0303-474HB-R	COUNTY COOK	TOTAL SHEETS 368	SHEET NO. 321
CONTRACT NO. 60F63			ILLINOIS FED. AID PROJECT	