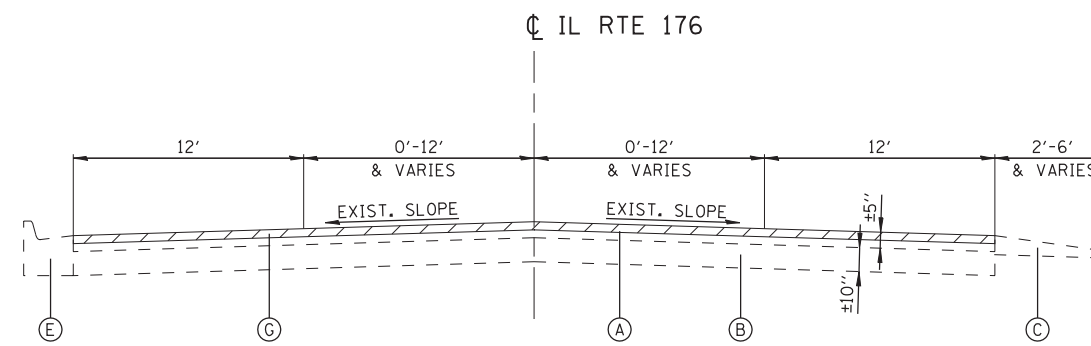


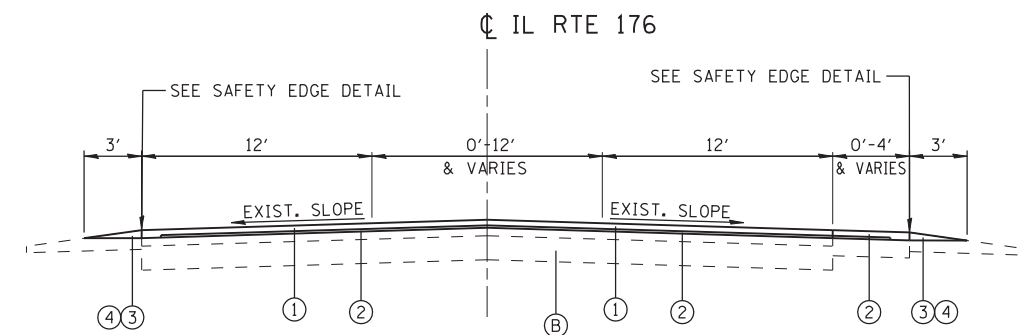
EXISTING TYPICAL SECTION

STA. 20+00 TO STA. 21+00
N.T.S.



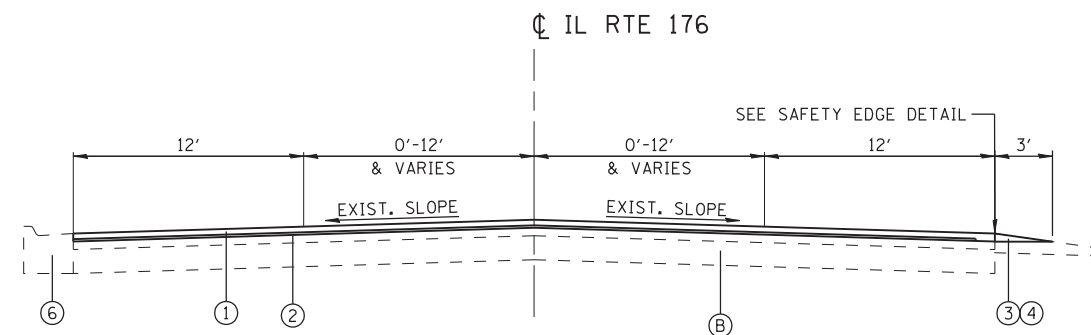
EXISTING TYPICAL SECTION

STA. 21+00 TO STA. 36+50
N.T.S.



PROPOSED TYPICAL SECTION

STA. 20+00 TO STA. 21+00
N.T.S.



PROPOSED TYPICAL SECTION

STA. 21+00 TO STA. 36+50
N.T.S.

EXISTING LEGEND

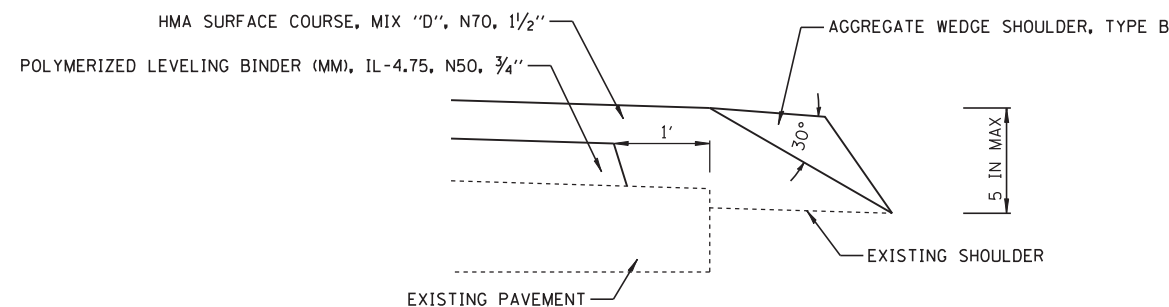
- (A) HMA PAVEMENT, ± 5"
- (B) PCC PAVEMENT, ± 10"
- (C) AGGREGATE SHOULDER, VARIABLE DEPTH
- (D) GUARDRAIL
- (E) PCC CURB & GUTTER TYPE B-6.12 OR B-6.24
- (F) HMA SHOULDER
- (G) HMA SURFACE REMOVAL - 2 1/4"

PROPOSED LEGEND

- ① HMA SURFACE COURSE, MIX "D", N70, 1 1/2"
- ② POLYMERIZED LEVELING BINDER (MM), IL-4.75, N50, 3/4"
- * ③ AGGREGATE WEDGE SHOULDER, TYPE B
- * ④ GRADING & SHAPING SHOULDERS
- * ⑤ TOPSOIL AND SEEDING
- * ⑥ COMBINATION CONCRETE CURB AND GUTTER REMOVAL AND REPLACEMENT

* NOTE: LIMITS OF THESE PROPOSED ITEMS TO BE DETERMINED IN THE FIELD BY THE RESIDENT ENGINEER.

THE CONTRACTOR SHALL MILL FIRST BEFORE PATCHING



SAFETY EDGE DETAIL

(WHEN HMA SHOULDER < 3FT)

MIX DESIGNS	AIR VOIDS (%) @ Nos.
RESURFACING	
HMA SURFACE COURSE, MIX 'D', N70; (IL-9.5mm) 1 1/2"	4% @ 70 GYRATIONS
POLYMERIZED LEVELING BINDER, IL-4.75, N50; 3/4"	3.5% @ 50 GYRATIONS
PATCHING	
CLASS D PATCHES (BINDER IL-19MM)	4% @ 70 GYRATIONS

NOTE: THE UNIT WEIGHT USED TO CALCULATE ALL HOT-MIX ASPHALT SURFACE MIXTURES IS 112 LBS/SY/IN.

THE "AC TYPE" FOR POLYMERIZED HMA MIXES SHALL BE "SBS/SBR PG 76 -22" AND FOR NON-POLYMERIZED HMA THE "AC TYPE" SHALL BE "PG 64 -22" UNLESS MODIFIED BY DISTRICT ONE SPECIAL PROVISIONS. FOR USE OF RECYCLED MATERIALS SEE SPECIAL PROVISIONS.

FILE NAME = G:\p\c\met\2102155_005E\CADD\Civil\Sheet\160L07-04-typical-01.dgn



USER NAME = dpjeniazek	DESIGNED - MRN	REVISED -
	DRAWN - STANTEC	REVISED -
PLOT SCALE = 50.000' / IN.	CHECKED - TMH	REVISED -
PLOT DATE = 12/11/2012	DATE - 12/2012	REVISED -

STATE OF ILLINOIS
DEPARTMENT OF TRANSPORTATION

IL ROUTE 176 ROADWAY RESURFACING
TYPICAL SECTIONS

SCALE: 50.000' / IN. SHEET NO. OF SHEETS STA. TO STA.

F.A.P. RTE.	SECTION	COUNTY	TOTAL SHEETS	SHEET NO.
335	145X-RS	McHENRY	20	4
FED. ROAD DIST. NO. 1 ILLINOIS FED. AID PROJECT			CONTRACT NO. 60L07	