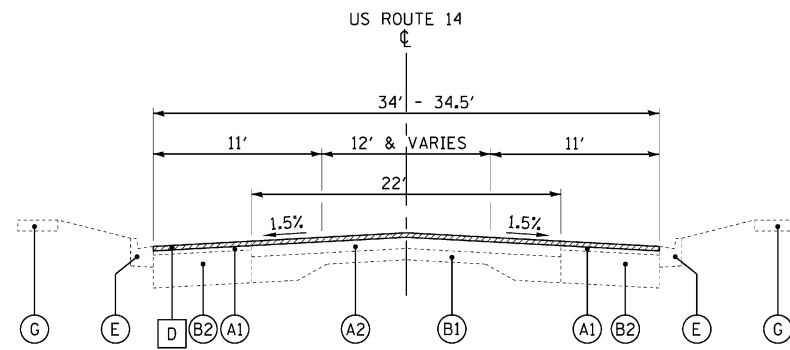
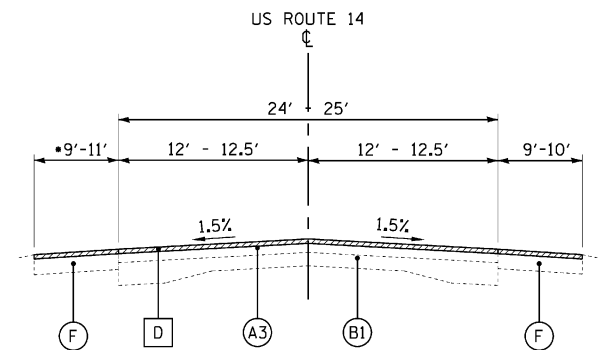


EXISTING TYPICAL SECTION
US ROUTE 14
STA 98+50 TO STA 112+00

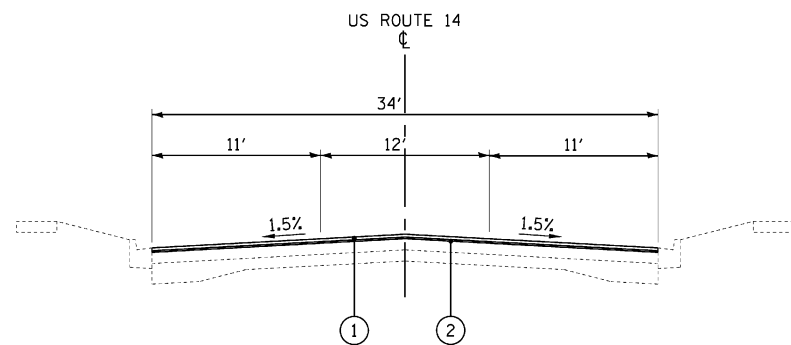


EXISTING TYPICAL SECTION
US ROUTE 14
STA 112+00 TO STA 128+29

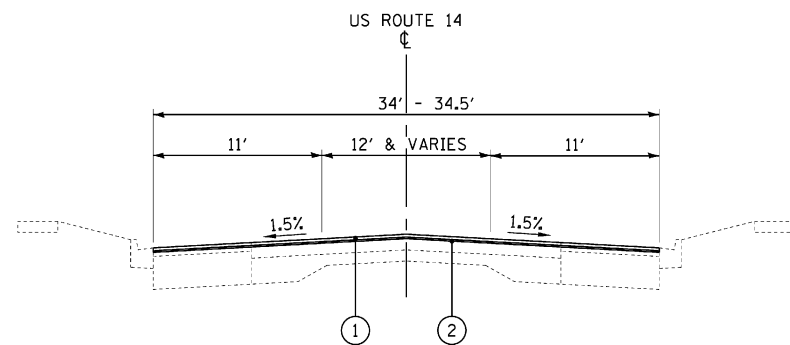


• 4' PAVED SHLD
STA 348+81 TO STA 350+74 LT

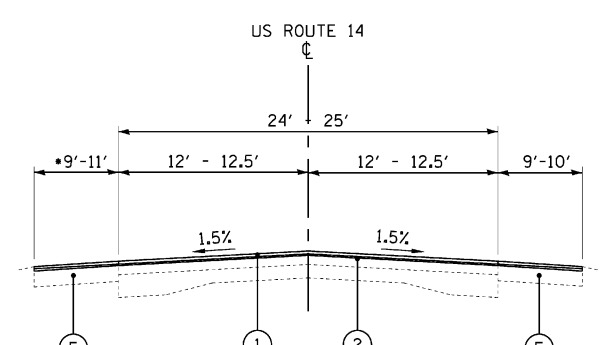
EXISTING TYPICAL SECTION
US ROUTE 14
STA 344+28 TO STA 355+32
STA 364+50 TO STA 375+06



PROPOSED TYPICAL SECTION
US ROUTE 14
STA 98+50 TO STA 112+00



PROPOSED TYPICAL SECTION
US ROUTE 14
STA 112+00 TO STA 128+29

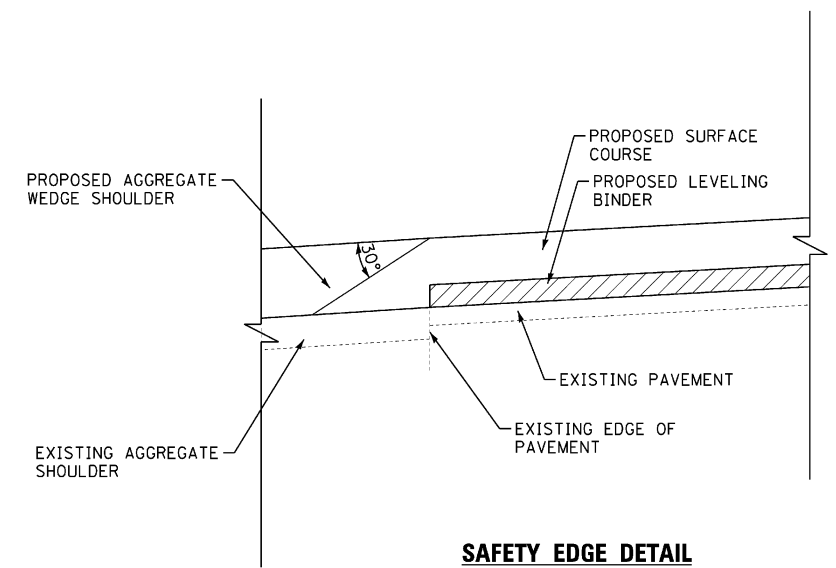


• 4' PAVED SHLD
STA 348+81 TO STA 350+74 LT

PROPOSED TYPICAL SECTION
US ROUTE 14
STA 344+28 TO STA 355+32
STA 364+50 TO STA 375+06

LEGEND

- (A1) EXISTING HMA SURFACE, 3"±
- (A2) EXISTING HMA SURFACE, 10 1/2"±
- (A3) EXISTING HMA SURFACE, 8"±
- (A4) EXISTING HMA SURFACE, 9"±
- (B1) EXISTING PCC BASE, 9" - 6" - 9"
- (B2) EXISTING HMA BASE, 10"±
- (B3) EXISTING HMA BASE, 11"±
- (C) EXISTING AGGREGATE SHOULDER, 6"±
- (D) HOT-MIX ASPHALT SURFACE REMOVAL, 2 1/4"
- (E) EXISTING COMBINATION CONCRETE CURB AND GUTTER
- (F) EXISTING PAVED SHOULDERS
- (G) EXISTING PCC SIDEWALK
- [Hatched Box] ITEM TO BE REMOVED
- (1) HOT-MIX ASPHALT SURFACE COURSE, MIX "D", N70 (IL-9.5mm) - 1 1/2"
- (2) POLYMERIZED LEVELING BINDER (MACHINE METHOD), IL-4.75, N50 - 3/4"
- (3) GRADING AND SHAPING SHOULDERS AND AGGREGATE WEDGE SHOULDER, TYPE B
- (SE) SAFETY EDGE (SEE DETAIL SHEET 5) - REQUIRED ON ALL LOCATIONS WITH LESS THAN 3' OF PAVED SHOULDER



SAFETY EDGE DETAIL

(APPLIES TO LOCATIONS WITH LESS THAN 3' OF PAVED SHOULDER)

COPYRIGHT © 2012 BY BAXTER & WOODMAN, INC.
 ALL RIGHTS RESERVED. NO PART OF THIS DOCUMENT IS TO BE REPRODUCED OR TRANSMITTED IN ANY FORM OR BY ANY MEANS, ELECTRONIC OR MECHANICAL, INCLUDING PHOTOCOPYING, RECORDING, OR BY ANY INFORMATION STORAGE AND RETRIEVAL SYSTEM.
 PROJECT: ILLINOIS ROUTE 173 TO STATE LINE ROAD
 SHEET: 21-RS-3
 DATE: 12/13/10
 FILE: 100153-W019-TYPSEC-1.shp



DESIGNED - DSH	REVISED - 6-6-11 IDOT REVIEW
DRAWN - KAR	REVISED - 7-20-11 IDOT REVIEW
CHECKED - LDH	REVISED -
DATE - 12-13-10	FILE: 100153-W019-TYPSEC-1.shp

STATE OF ILLINOIS
DEPARTMENT OF TRANSPORTATION

US ROUTE 14
DIGGINS STREET (IL ROUTE 173) TO STATE LINE ROAD
TYPICAL SECTIONS

SCALE: NONE

STA. TO STA.

F.A.P. RTE. 66	SECTION 21-RS-3	COUNTY McHENRY	TOTAL SHEETS 32	SHEET NO. 5
C-91-297-11		CONTRACT NO. 60N27		
FED. ROAD DIST. NO. 1 ILLINOIS FED AID PROJECT				