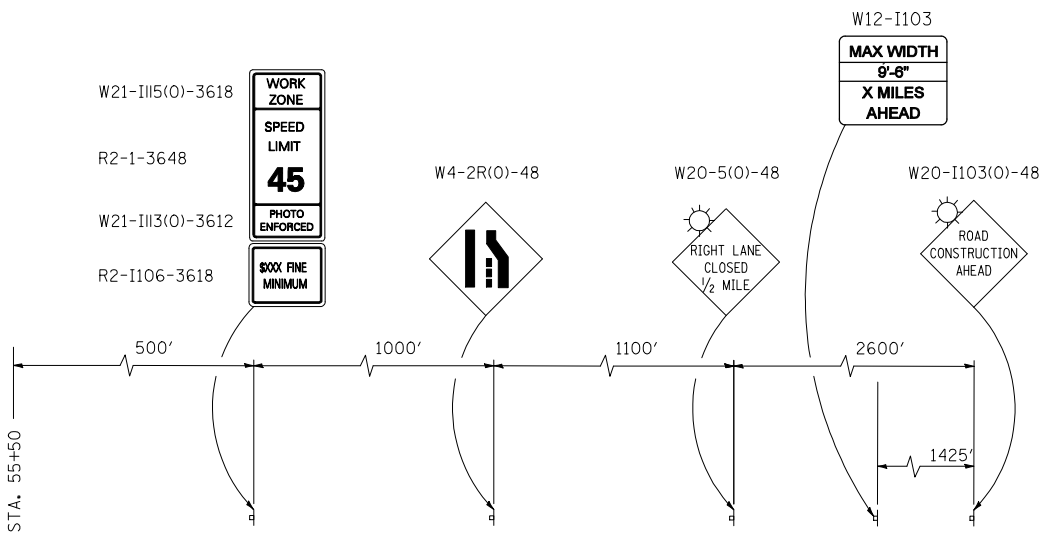


Background - Green
 Border and legend - White
 "D" size letters
 All dimensions shown are in INCHES
 EXIT SIGN - SPECIAL

LEGEND

- WORK ZONE
- IMPACT ATTENUATORS, TEMPORARY (FULLY REDIRECTIVE, NARROW), TEST LEVEL 3
- TEMPORARY CONCRETE BARRIER
- SIGN
- DIRECTION INDICATOR BARRICADE WITH STEADY BURN MONODIRECTIONAL LIGHT
- TYPE II BARRICADE OR DRUM WITH STEADY BURN MONODIRECTIONAL LIGHT
- ARROWBOARD
- TYPE III BARRICADE W/2 FLASHING BEACONS (NO. OF BARRICADES AS DIRECTED BY ENGINEER)



DETAIL A

USER NAME = Plotted by Fred 576	DESIGNED - SEW	REVISED -
PLOT SCALE = 100.0000' / IN.	DRAWN - RK	REVISED -
PLOT DATE = 12/5/2012	CHECKED - SEW	REVISED -
	DATE - 11/2011	REVISED -

F.A.P. RTE. 347	SECTION JR-HB-1-1	COUNTY DUPAGE	TOTAL SHEETS 30	SHEET NO. 10
CONTRACT NO. 60N77				
FED. ROAD DIST. NO. 1 ILLINOIS FED. AID PROJECT				