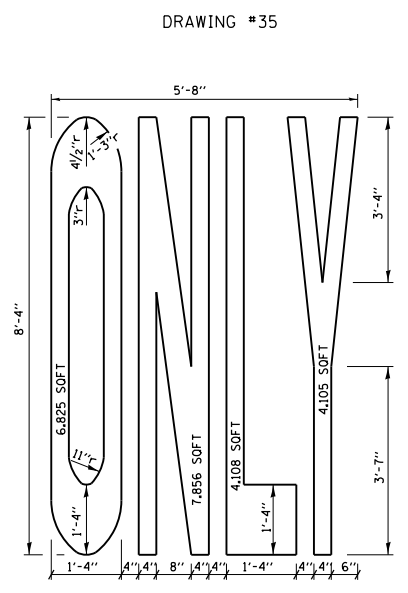
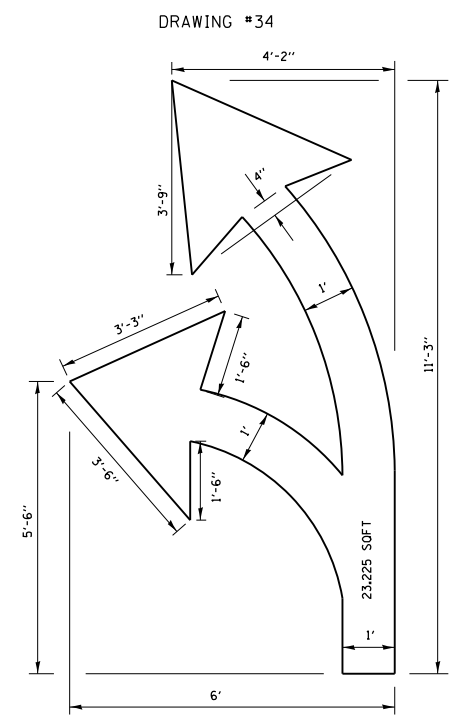
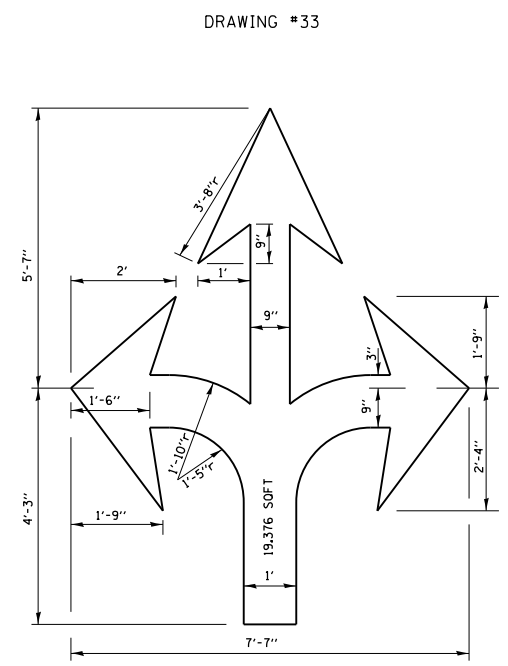
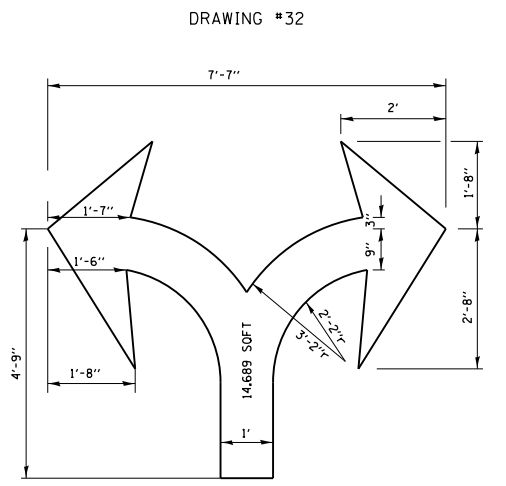
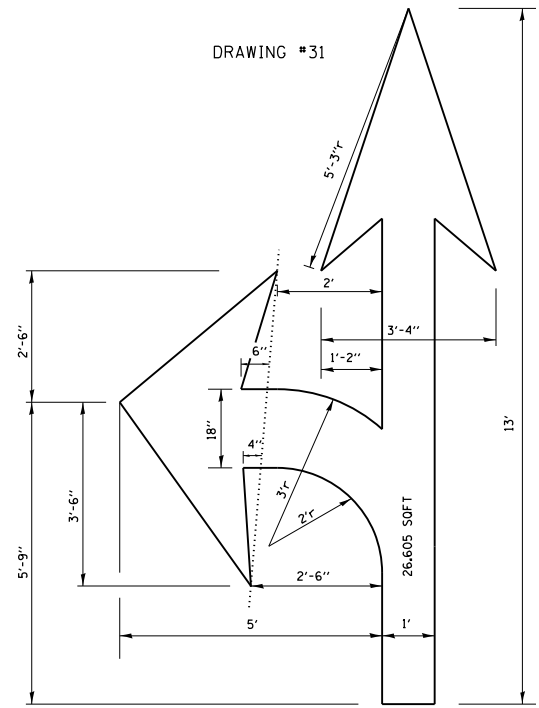
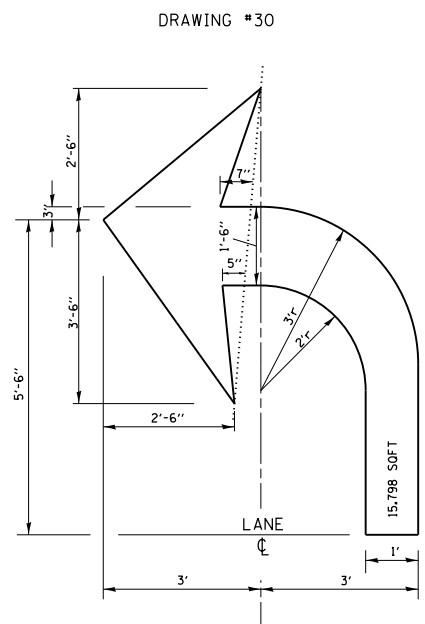
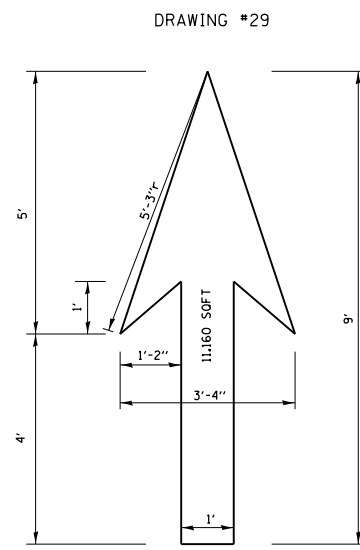


**NOTE:**

- 1.) FOR BIKE LANE SYMBOLS ONLY, USE PRE-FORMED THERMOPLASTIC WITH A MINIMUM THICKNESS OF 90 MILS, MINIMUM SKID RESISTANCE VALUE OF 60 BPN, & A MINIMUM INDEX OF REFRACTION OF 1.50.
- 2.) THE RESIDENT ENGINEER SHALL CONTACT MR. BEN GOMBERG AT 312-744-8093 AT LEAST ONE CALENDAR WEEK PRIOR TO INSTALLING BIKE LANE SYMBOLS.

**TYPICAL BIKE LANE SYMBOLS**  
DRAWING #28



**NOTE:**

ALL MARKINGS SHALL BE SOLID WHITE UNLESS OTHERWISE NOTED IN THE PLANS

FILE NAME =	USER NAME = Bilgrmise	DESIGNED -	REVISED - T. RAMMACHER 12-07-00
et:\pw\work\pwidot\bilgrmise\d0278421\Di\std.dgn		DRAWN -	REVISED - K. ENG 01-12-12
	PLOT SCALE = 100.0000' / 1"	CHECKED -	REVISED -
	PLOT DATE = 3/25/2013	DATE -	REVISED -

**STATE OF ILLINOIS**  
**DEPARTMENT OF TRANSPORTATION**

<b>CITY OF CHICAGO</b>			
<b>TYPICAL PAVEMENT MARKINGS</b>			
SCALE: NONE	SHEET NO. 2 OF 3 SHEETS	STA.	TO STA.

F.A. RTE.	SECTION	COUNTY	TOTAL SHEETS	SHEET NO.
22	2011-086-R5	COOK	18	17
<b>TC-24</b>		<b>CONTRACT NO. 60R13</b>		
FED. ROAD DIST. NO. 1 ILLINOIS FED. AID PROJECT				