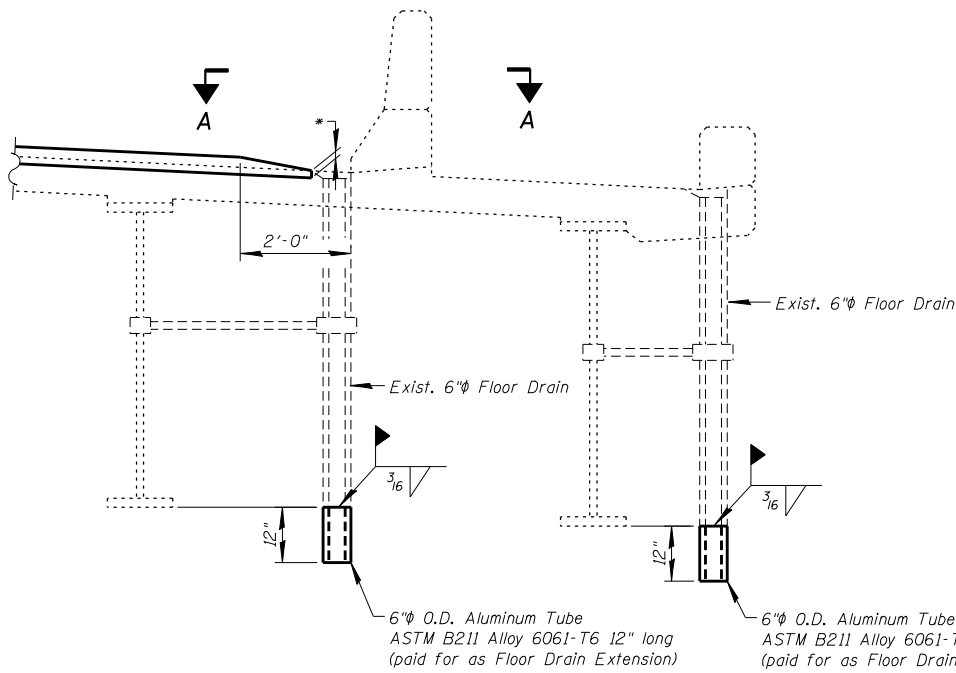
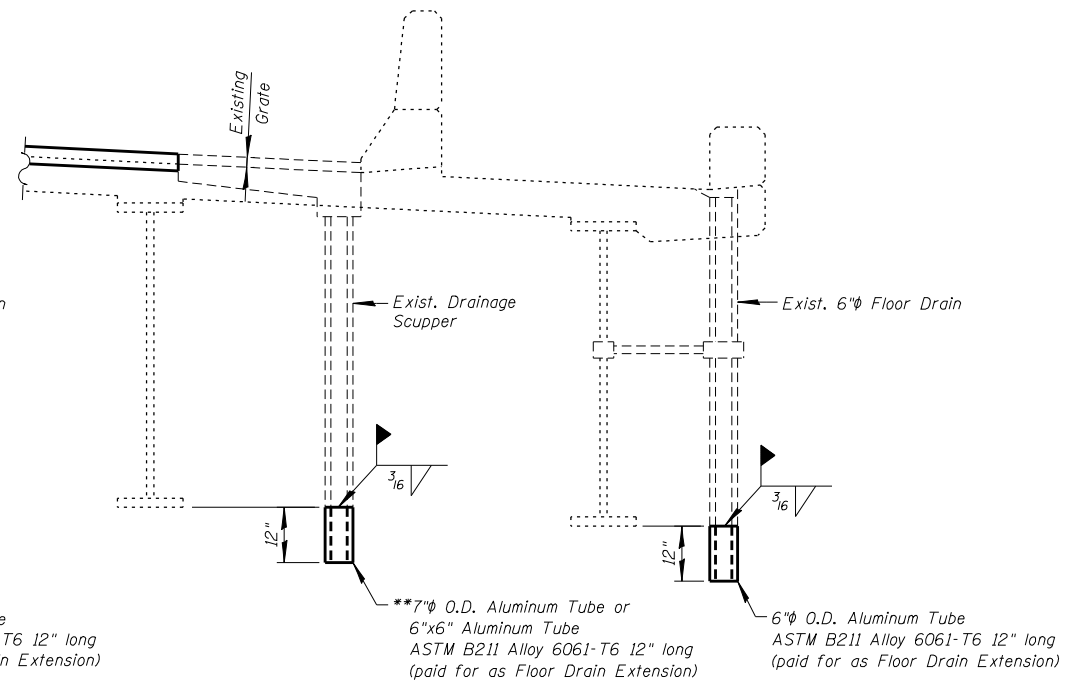


**SECTION THRU SOUTH SIDEWALK**  
(at 6" Floor Drains)



**SECTION THRU NORTH SIDEWALK**  
(at 6" Floor Drains)

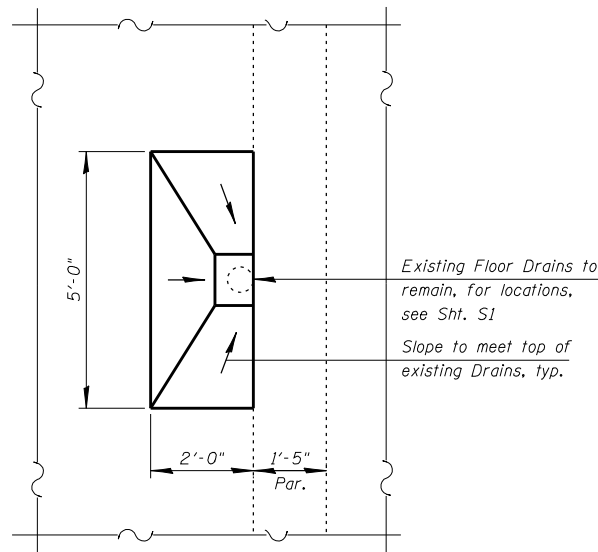


**SECTION THRU NORTH SIDEWALK**  
(at Scupper)

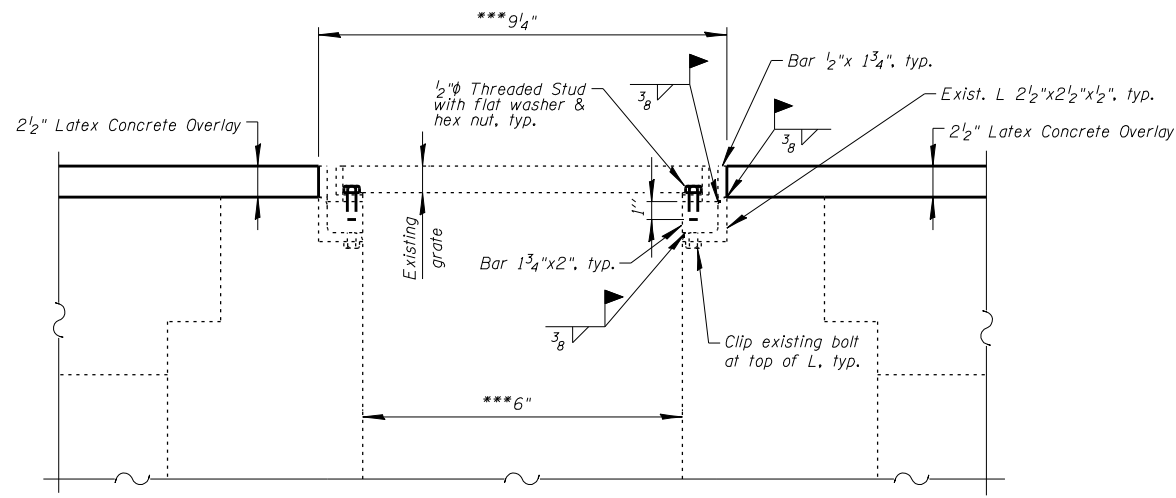
\* 1" min. Overlay thickness at edge, typ. all around.

\*\*The Contractor shall verify shape & size of the existing downspouts, in the field, prior to ordering of materials.

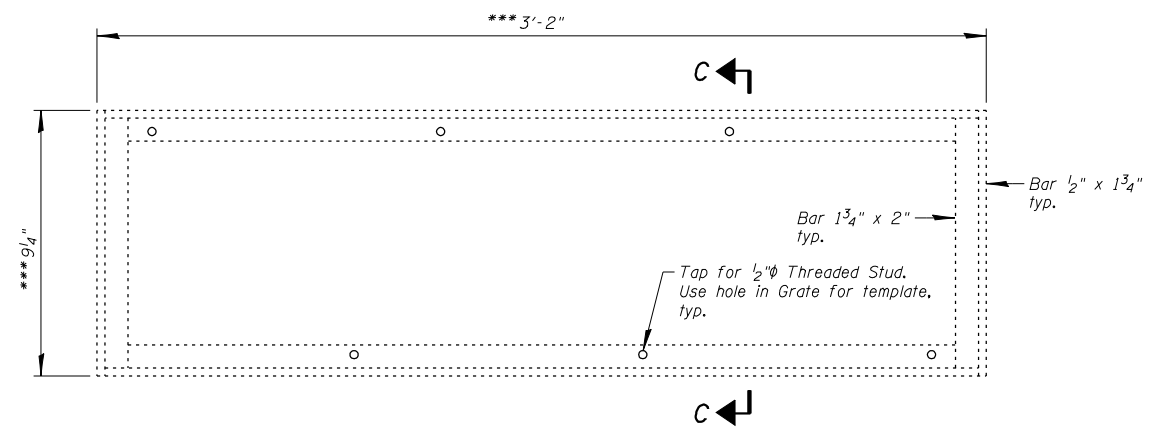
\*\*\*Dimensions to be determined in the field prior to ordering of materials.



**VIEW A-A**  
(at 6" Floor Drains)



**SECTION C-C**



**EXISTING DRAINAGE SCUPPER**  
**PLAN**  
(Grate omitted for clarity)

Notes:  
All 31 existing floor drains & 11 existing drainage scuppers require a 12" extension.  
15 existing floor drains require overlay to be tapered.

**BILL OF MATERIAL**

ITEM	UNIT	QUANTITY
Floor Drain Extension	Each	42
Drainage Scuppers to be Adjusted	Each	11

FILE NAME = I:\102918\_11\_53 (baltimore)\structural\cadd sheets\160R63-10-drain-exten.dgn



USER NAME = IDOT	DESIGNED - J.C.N./B.N.S.	REVISED -
PLOT SCALE = 100.000000' / IN.	CHECKED - B.N.S./J.C.N.	REVISED -
PLOT DATE = 1/7/2013	DRAWN - F.M.	REVISED -
	DATE - OCTOBER 9, 2012	REVISED -

**STATE OF ILLINOIS**  
**DEPARTMENT OF TRANSPORTATION**

**DECK DRAIN EXTENSIONS**  
**STRUCTURE NO. 099-0272**

SHEET NO. S10 OF S19 SHEETS

F.A.P. RTE. 846	SECTION K-29-A-BR-1	COUNTY WILL	TOTAL SHEETS 55	SHEET NO. 39
CONTRACT NO. 60R63				ILLINOIS FED. AID PROJECT