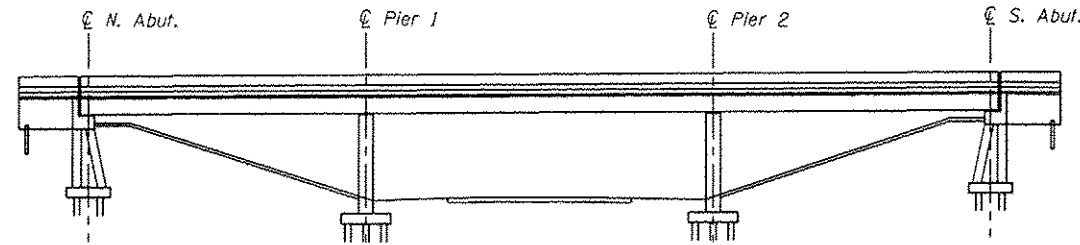
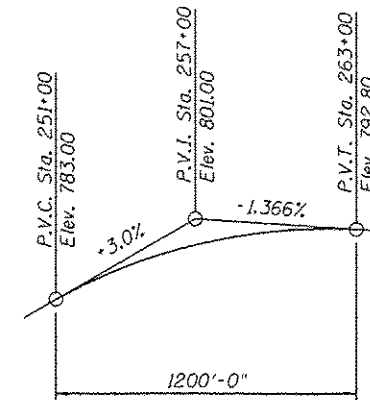


Existing Structure: Existing Structures 049-0022 & 049-0023 each carry two lanes of traffic on US12/IL-59 over IL-179. Each bridge consists of a three-span continuous steel superstructure with a reinforced concrete deck and substructure. The original structures were both constructed in 1962 and rehabilitated in 1983. Staged construction will be utilized to maintain traffic during construction.

No Salvage.

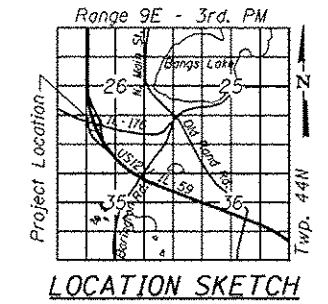


**ELEVATION**

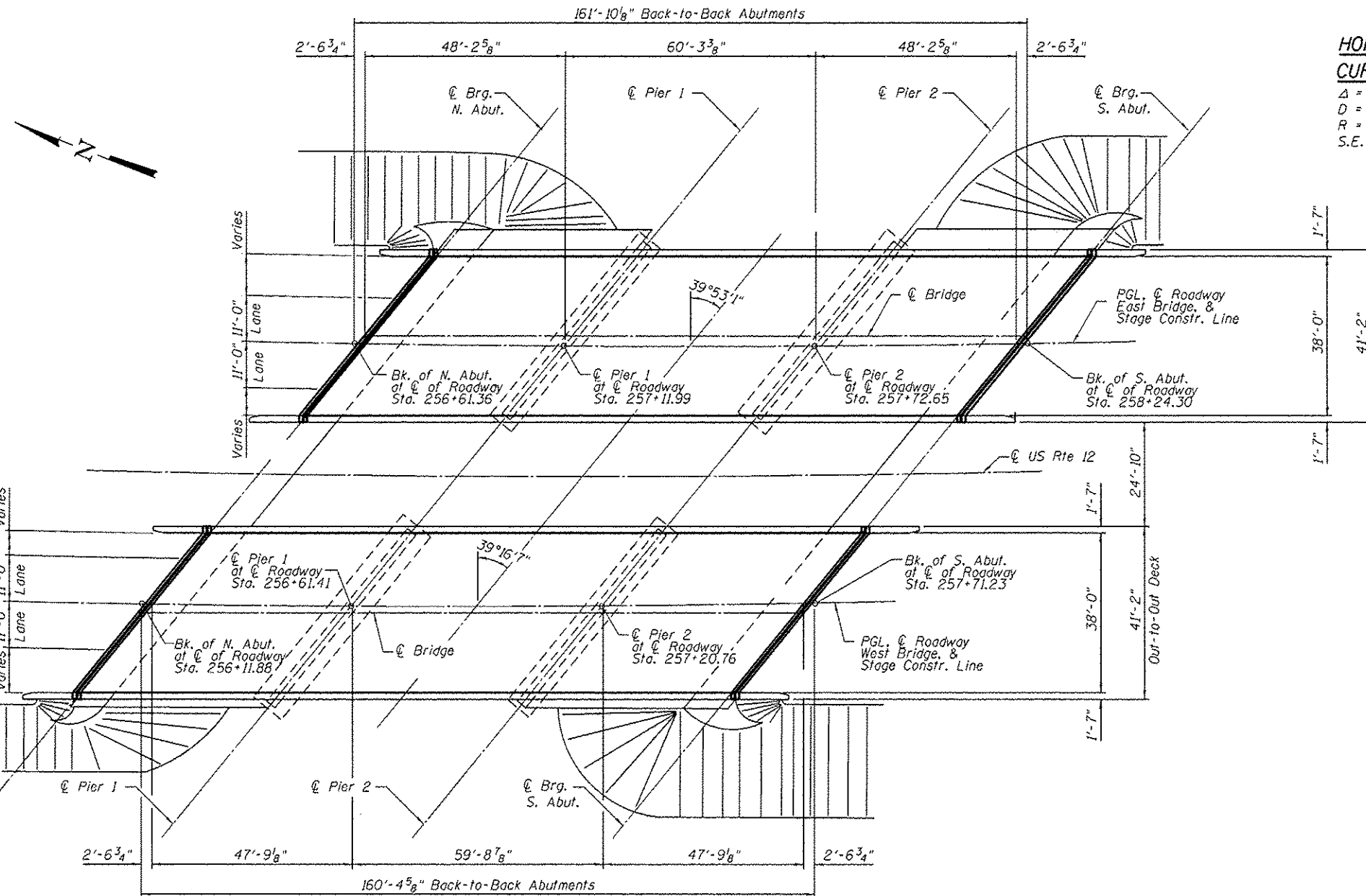


**PROFILE GRADE**

(Along  $\bar{C}$  of U.S. Rte. 12)



**LOCATION SKETCH**



**HORIZONTAL CURVE DATA**

$\Delta = 69^\circ 20'$   
 $D = 1^\circ 12'$   
 $R = 4,774.74$   
 $S.E. Run = 0.03'/Fl.$

**DESIGN SPECIFICATIONS**  
 2002 AASHTO Standard Specifications,  
 for Highway Bridges (17th Edition)

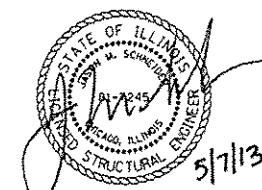
**LOADING HS20-44**

**DESIGN STRESSES**  
**FIELD UNITS**

$f'_c = 3,500$  psi  
 $f_y = 60,000$  psi (Reinforcement)

**SCOPE OF WORK**

1. Bridge deck scarification.
2. Reconstruct deck joints at each abutment with shallow strip seal.
3. Place new polymer overlay on bridge deck.
4. Structural Repair of Concrete.
5. Deck and Approach Slab Repairs.



COLLINS ENGINEERS, INC.  
 JASON M. SCHNEIDER  
 NO. 81-7245  
 EXPIRES 11-30-2014

<b>COLLINS ENGINEERS, INC.</b> 173 N. Rockwell St. Suite 300 Chicago, IL 60610 Tel: (312) 204-2300 Fax: (312) 204-9310 www.collinseng.com	USER NAME *	DESIGNED - AEK	REVISED	<b>STATE OF ILLINOIS</b> <b>DEPARTMENT OF TRANSPORTATION</b>	<b>GENERAL PLAN AND ELEVATION</b> <b>US 12/IL RTE. 59 OVER IL 176</b> <b>STRUCTURE NO. 049-0022 &amp; 049-0023</b> SHEET NO. 51 OF 510 SHEETS		F.A.P. RTE.	SECTION	COUNTY	TOTAL SHEETS	SHEET NO.
	PLOT SCALE *	CHECKED - JMS	REVISED		334	17H-BIBR	LAKE	25	13		
	PLOT DATE *	DRAWN - DR	REVISED		CONTRACT NO. 60W19						
		CHECKED - JMS	REVISED		[ILLINOIS] FED. AID PROJECT						