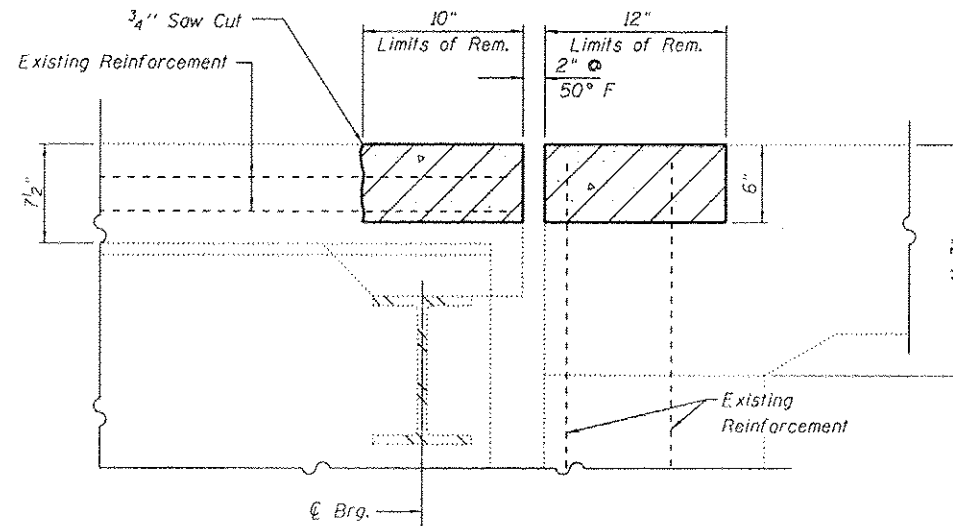


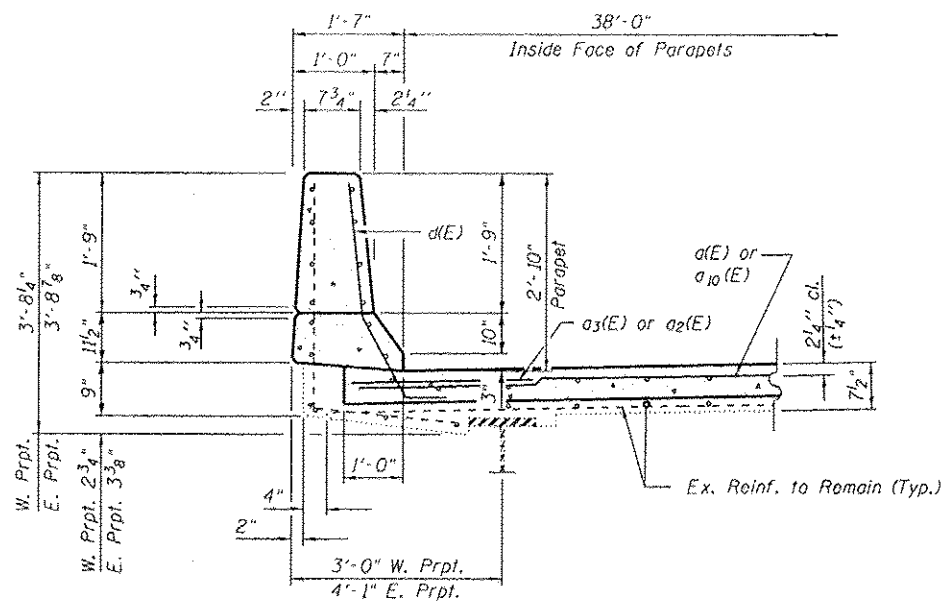
**SECTION A-A**  
(Existing)



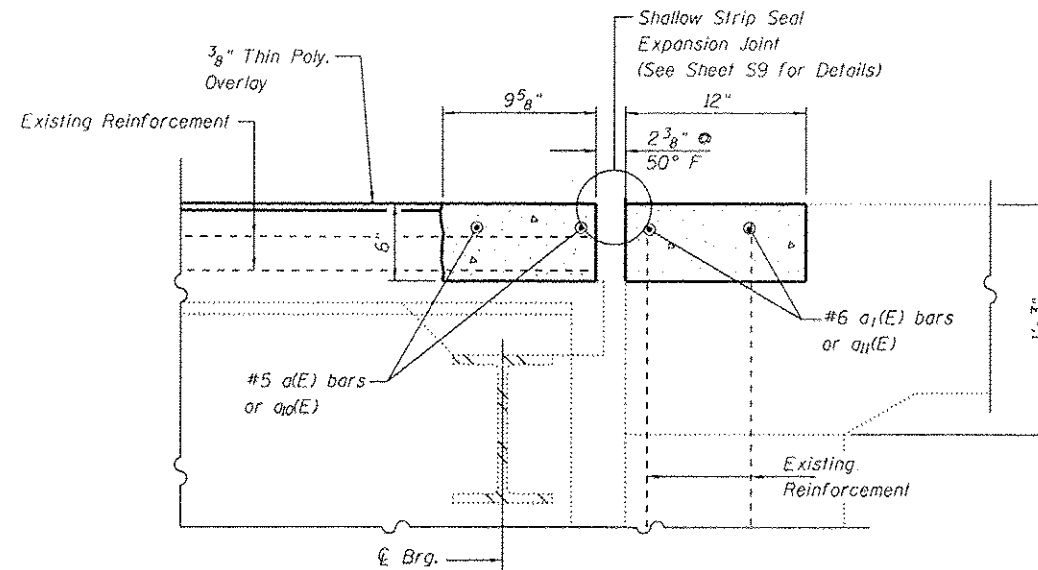
**SECTION B-B**  
(Existing)

- Notes:**
- Existing reinforcement bars in the concrete removal area parallel to the expansion joints shall be removed.
  - Removal and disposal of the existing expansion joints will not be paid for separately, but shall be included with the cost of Concrete Removal.
  - Work this sheet with Sheets S5 & S9.

Indicates Concrete Removal



**SECTION C-C**  
(Proposed)



**SECTION D-D**  
(Proposed)

|             |          |     |         |
|-------------|----------|-----|---------|
| USER NAME   | DESIGNED | AEK | REVISED |
| PLLOT SCALE | CHECKED  | JMS | REVISED |
| PLLOT DATE  | DRAWN    | DR  | REVISED |
|             | CHECKED  | JMS | REVISED |

|                    |           |        |                           |           |
|--------------------|-----------|--------|---------------------------|-----------|
| F.A.P. RTE.        | SECTION   | COUNTY | TOTAL SHEETS              | SHEET NO. |
| 334                | (TH-BIBR) | LAKE   | 25                        | 18        |
| CONTRACT NO. 60W19 |           |        | ILLINOIS FED. AID PROJECT |           |