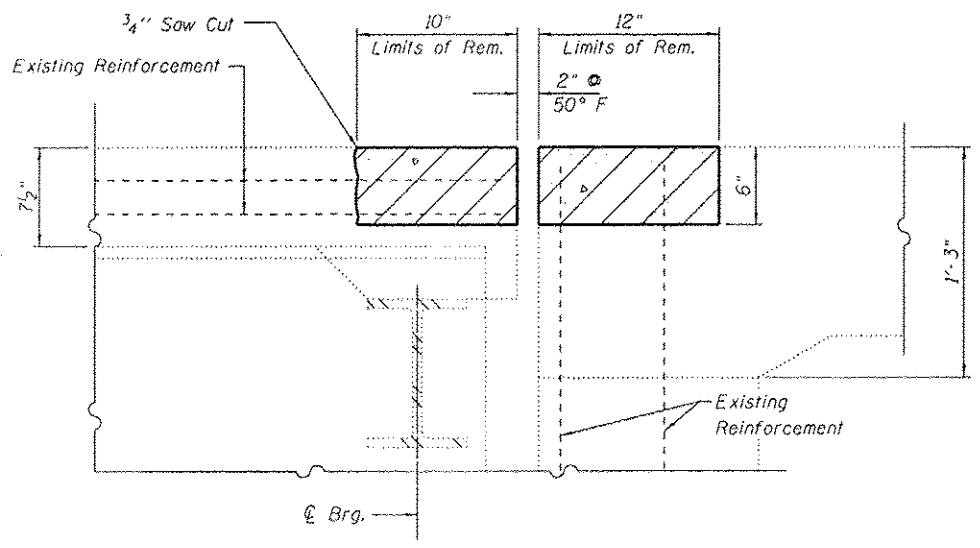


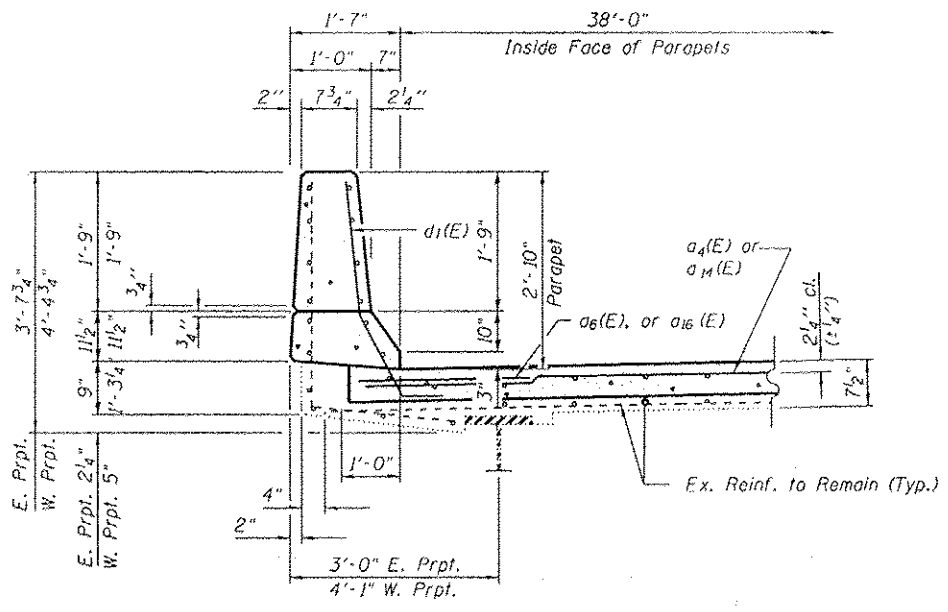
**SECTION A-A**  
(Existing)



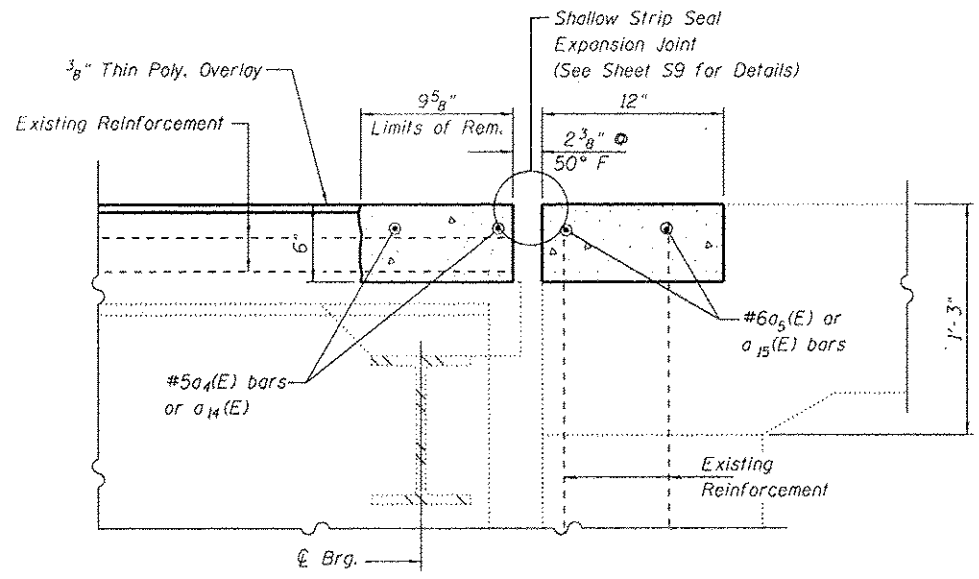
**SECTION B-B**  
(Existing)

Indicates Concrete Removal

- Notes:**
- Existing reinforcement bars in the concrete removal area parallel to the expansion joints shall be removed.
  - Removal and disposal of the existing expansion joints will not be paid for separately, but shall be included with the cost of Concrete Removal.
  - Work this sheet with Sheets S5 & S9.



**SECTION C-C**  
(Proposed)



**SECTION D-D**  
(Proposed)

**COLLINS ENGINEERS**  
1211 W. Main St.  
Suite 200  
Chicago, IL 60604  
Tel: 312.761.3300  
Fax: 312.761.3301  
www.collinseng.com

USER NAME	DESIGNED - AEK	REVISED
PLT SCALE	CHECKED - JMS	REVISED
PLOT DATE	DRAWN - DR	REVISED
	CHECKED - JMS	REVISED

**STATE OF ILLINOIS**  
**DEPARTMENT OF TRANSPORTATION**

**EXPANSION JOINT DETAILS**  
**STRUCTURE NO. 049-0023**

F.A.P. RTE.	SECTION	COUNTY	TOTAL SHEETS	SHEET NO.
334	(1H-B)BR	LAKE	25	20
CONTRACT NO. 60W19				
ILLINOIS FED. AID PROJECT				

SHEET NO. 58 OF 510 SHEETS